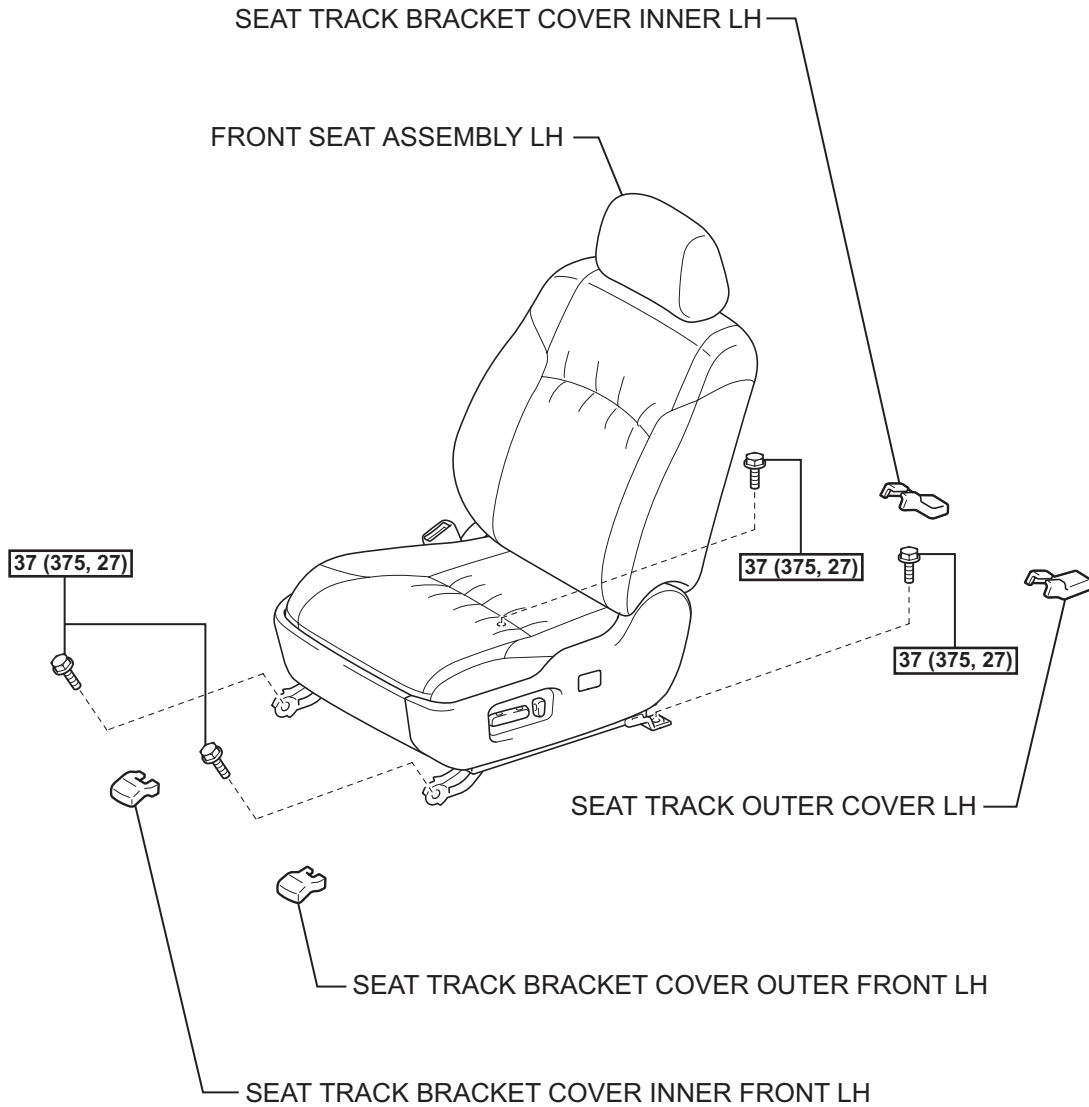


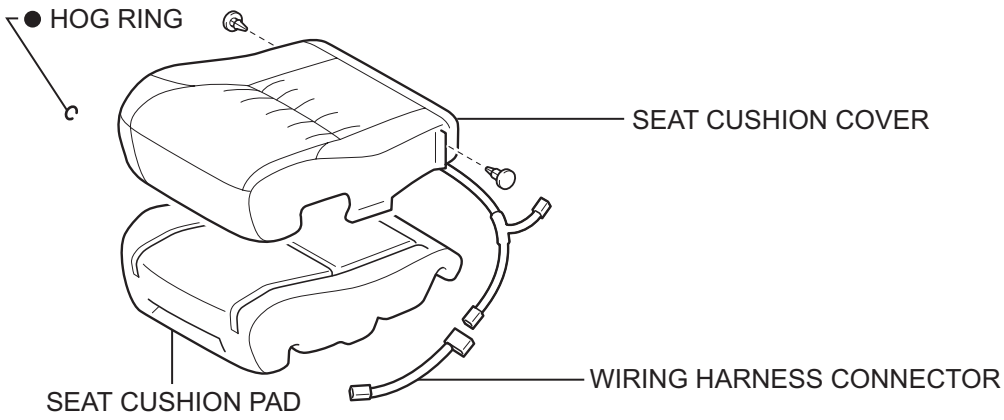
# FRONT SEAT ASSEMBLY (for Power Seat Type LH Side)

## COMPONENTS

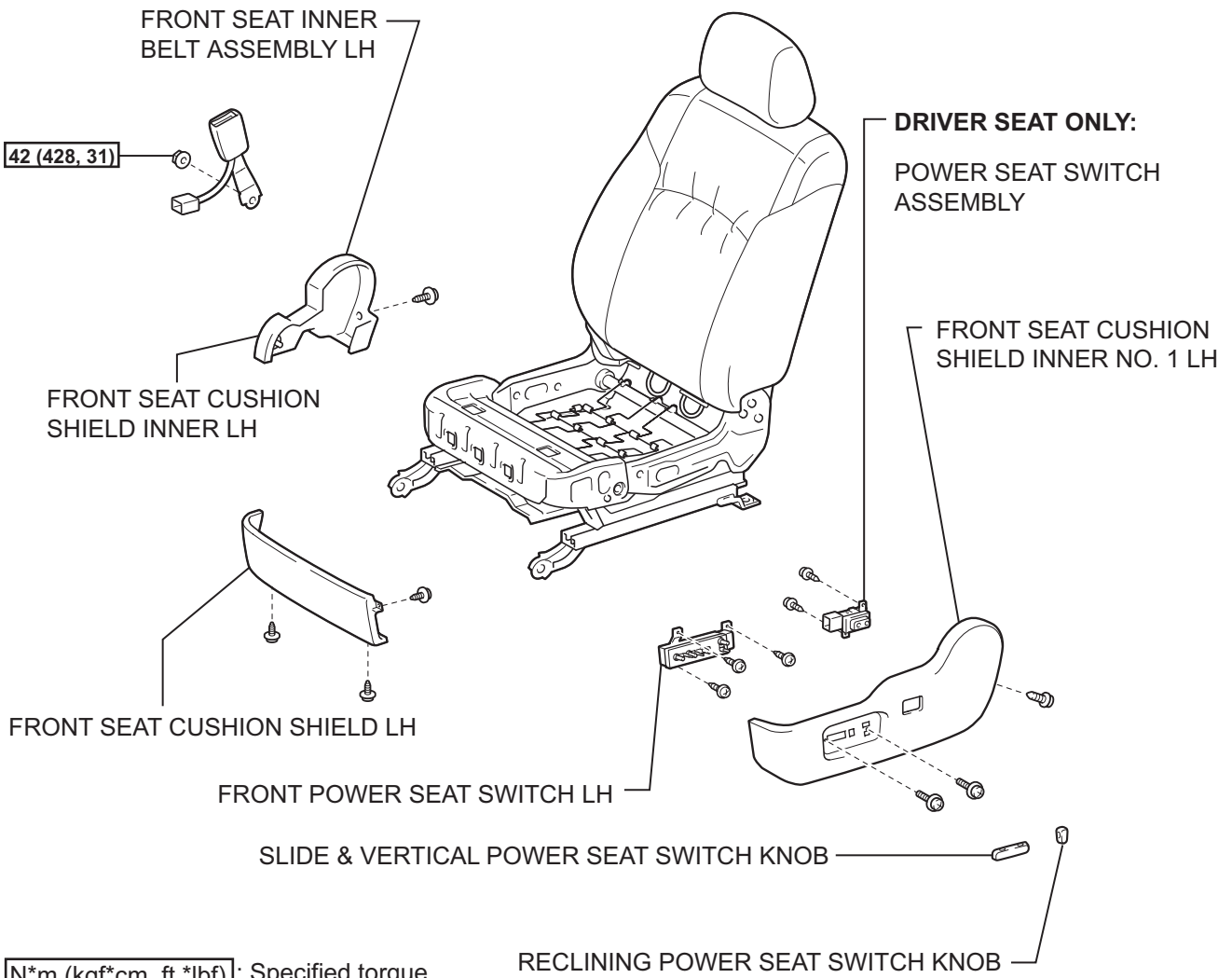


**37 (375, 27)**: Specified torque

SE

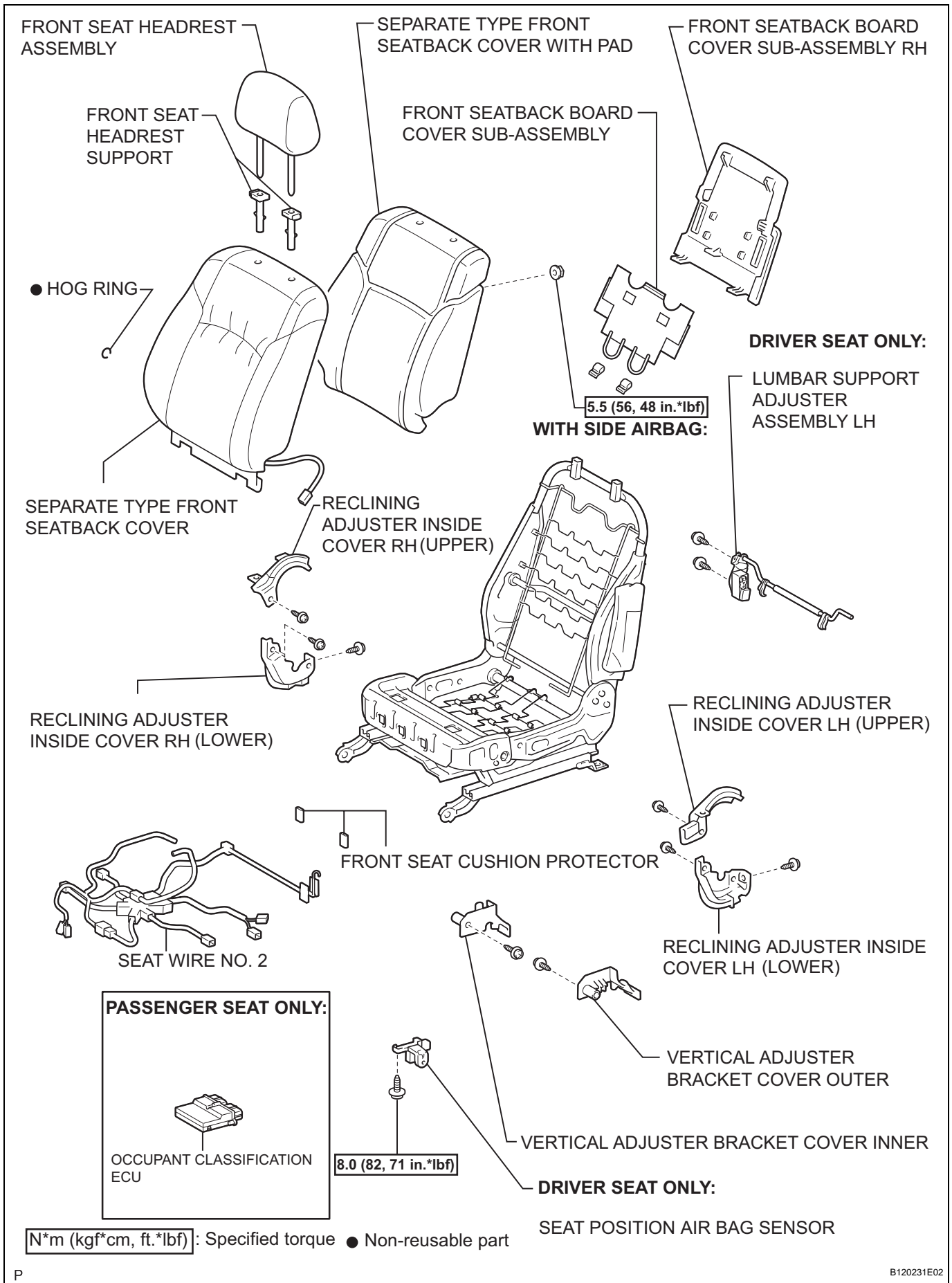


SE



**N\*m (kgf\*cm, ft.\*lbf)**: Specified torque

● Non-reusable part



SE