


# Exterior Mirrors Will Not Automatically Return When Shifting from Reverse to Drive

**Service Category** Vehicle Exterior

**Section** Mirror (ext)

**Market** USA

Lexus Supports  
ASE Certification 

## Applicability

YEAR(S)	MODEL(S)	ADDITIONAL INFORMATION
2003 – 2009	GX470	

### TSB SUPERSESSION NOTICE

The information contained in this TSIB supersedes the information for the 2003 – 2006 model year GX470 in TSIB No. EL006-06.

TSIB No. EL006-06 is now Obsolete.

## Introduction

Some 2003–2009 model year GX 470 vehicles may experience a condition where one or both of the outer rear view mirrors will not automatically return to the proper position when shifting from reverse to drive. A newly designed mirror ECU is available to correct this condition. For 2003–2006 model year vehicles it is also necessary to replace the mirror actuators. This condition does not affect the manual operation of the exterior mirrors from the adjustment switch.

## Warranty Information

OP CODE	DESCRIPTION	TIME	OFF	T1	T2
EL9017	R & R Remote Control Mirror ECU Assembly R & R Actuator Assembly (Both Sides)	0.9	89430-60050	73	99
EL9018	R & R Remote Control Mirror ECU Assembly	0.3			

### APPLICABLE WARRANTY

- This repair is covered under the Lexus Comprehensive Warranty. This warranty is in effect for 48 months or 50,000 miles, whichever occurs first, from the vehicle's in-service date.
- Warranty application is limited to correction of a problem based upon a customer's specific complaint.

# Exterior Mirrors Will Not Automatically Return When Shifting from Reverse to Drive

## Production Change Information

This TSIB applies to vehicles produced **BEFORE** the Production Change Effective VINs shown below.

MODEL	YEAR	PARTS REPLACED	PRODUCTION CHANGE EFFECTIVE VIN
GX470	2003–2006	Mirror ECU & Mirror Actuators	JTJBT20X#60114321
	2006–2009	Mirror ECU (only)	JTJBT20X#60114322 to JTJBT20X#90177576

## Parts Information

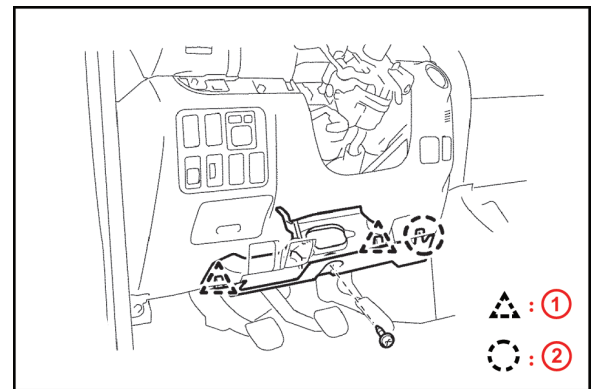
MODEL YEAR	PREVIOUS PART NUMBER	CURRENT PART NUMBER	PART NAME	QTY
2003–2009	89430-60050	89430-60051	Computer Assy, Outer Mirror Control	1
2003–2006	87908-60840	87908-60841	Actuator Sub-Assy, Outer Mirror RH	1
	87909-60730	87909-60731	Actuator Sub-Assy, Outer Mirror LH	1

## Repair Procedure (2003-2009 MY Mirror ECU Replacement)

1. Disconnect the negative (-) battery terminal.

**CAUTION**  
 Wait at least 90 seconds after the ignition switch is turned to the "LOCK" position and the negative (-) terminal cable is disconnected from the battery before starting the operation.

Figure 1.



**1** 2 Clips

**2** Claw

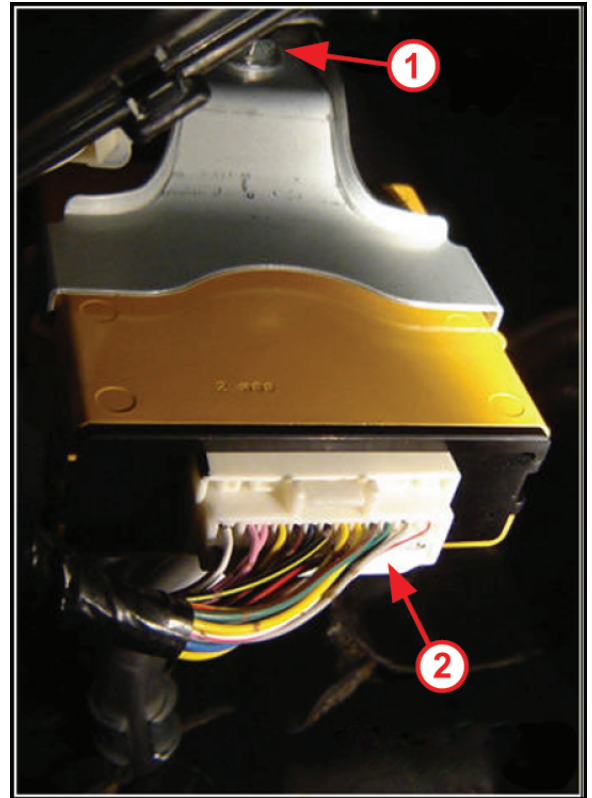
2. Remove the No. 1 Instrument panel under cover sub-assembly.
  - A. Remove the screw.
  - B. Disengage 2 clips and 1 claw.

## Exterior Mirrors Will Not Automatically Return When Shifting from Reverse to Drive

### Repair Procedure (2003-2009 MY Mirror ECU Replacement) (Continued)

3. Locate Mirror ECU and disconnect the 25 pin (R10) connector (White).

Figure 2.



<b>1</b>	<b>10 mm bolt</b>
<b>2</b>	<b>25 pin connector (R10)</b>

4. Remove bolt and Mirror ECU.
5. Install updated mirror ECU.
6. Reinstall No. 1 Instrument panel Sub-Assembly.
7. Reconnect the negative (-) battery terminal.
8. Check operation of mirrors.

## Exterior Mirrors Will Not Automatically Return When Shifting from Reverse to Drive

---

### Repair Procedure (2003-2009 MY Mirror ECU Replacement) (Continued)

#### 9. Perform system initialization.

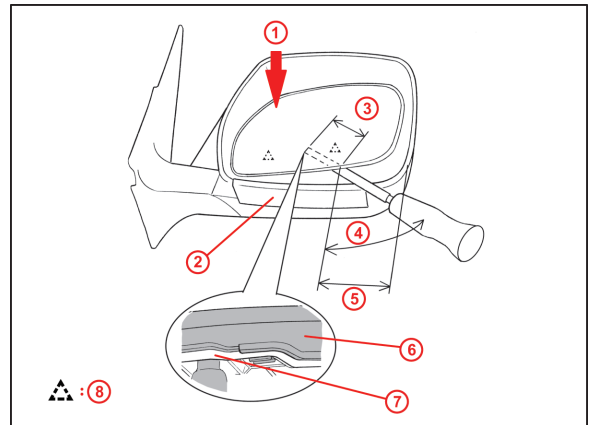
- 2003 MY
  - [PD018-05](#): "Initialization of Power Window During PDS"
  - [PG016-02](#): "Moon Roof Initialization"
- 2004 MY
  - [PD018-05](#): "Initialization of Power Window During PDS"
  - [PG016-02](#): "Moon Roof Initialization"
- 2005 MY
  - [PD010-05](#): "Power System Initialization During PDS."
- 2006 MY
  - [PD009-06](#): "Power System Initialization During PDS."
- 2007 MY
  - [PD007-07](#): "Power System Initialization During PDS."
- 2008 MY
  - [L-SB-0041-08](#): "Power System Initialization During PDS."
- 2009 MY
  - [L-SB-0063-08](#): "Initialization of Power Window During PDS"
  - [L-SB-0051-08](#): "Initialization of Moon Roof During PDS"

# Exterior Mirrors Will Not Automatically Return When Shifting from Reverse to Drive

## Repair Procedure (for 2003-2006 MY Mirror Actuator Replacement Only)

1. Disconnect the mirror.
  - A. Disconnect the negative (-) battery terminal.
  - B. To prevent damage, apply protective tape on the lower side of the mirror body.
  - C. Push the upper corner of the mirror to tilt out the lower corner.
  - D. Insert a flat blade screwdriver between the mirror holder (black) and plate pivot (white), and twist to disconnect the two (2) lower claws.

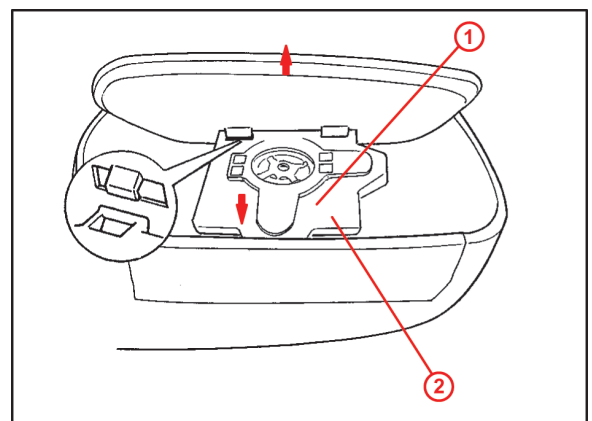
Figure 3.



1	Push Down
2	Protective Tape
3	50 mm
4	45°
5	50 mm
6	Mirror Holder (Black)
7	Plate Pivot (White)
8	Lower Claws

- E. Push the lower side of the plate pivot to tilt it down.

Figure 4.



1	Push Down
2	Plate Pivot

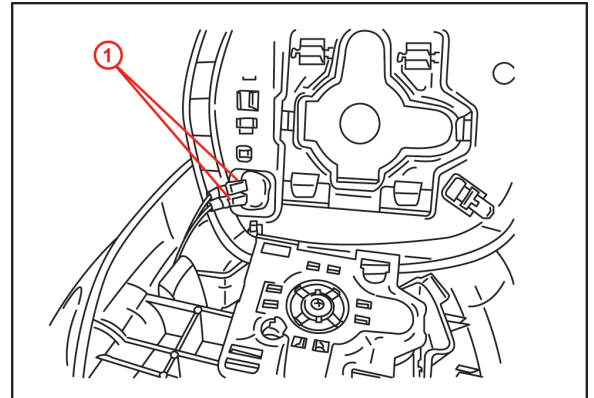
- F. Pull up the mirror to disconnect the two (2) upper claws.

# Exterior Mirrors Will Not Automatically Return When Shifting from Reverse to Drive

## Repair Procedure (for 2003-2006 MY Mirror Actuator Replacement Only) (Continued)

G. For heated mirrors: Disconnect both 1-pin connectors from the mirror assembly.

Figure 5.

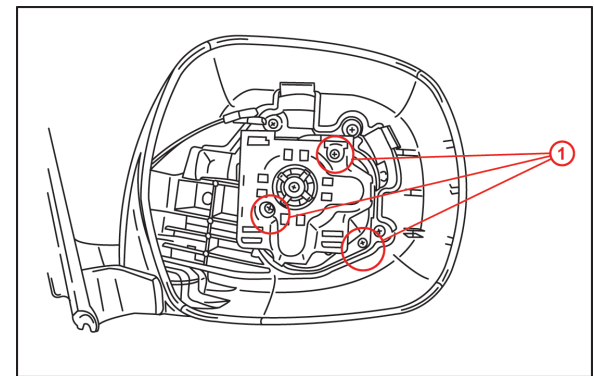


<b>1</b>	<b>Heater Terminals</b>
----------	-------------------------

2. Remove the mirror actuator.

A. Remove the three (3) screws from the actuator.

Figure 6.



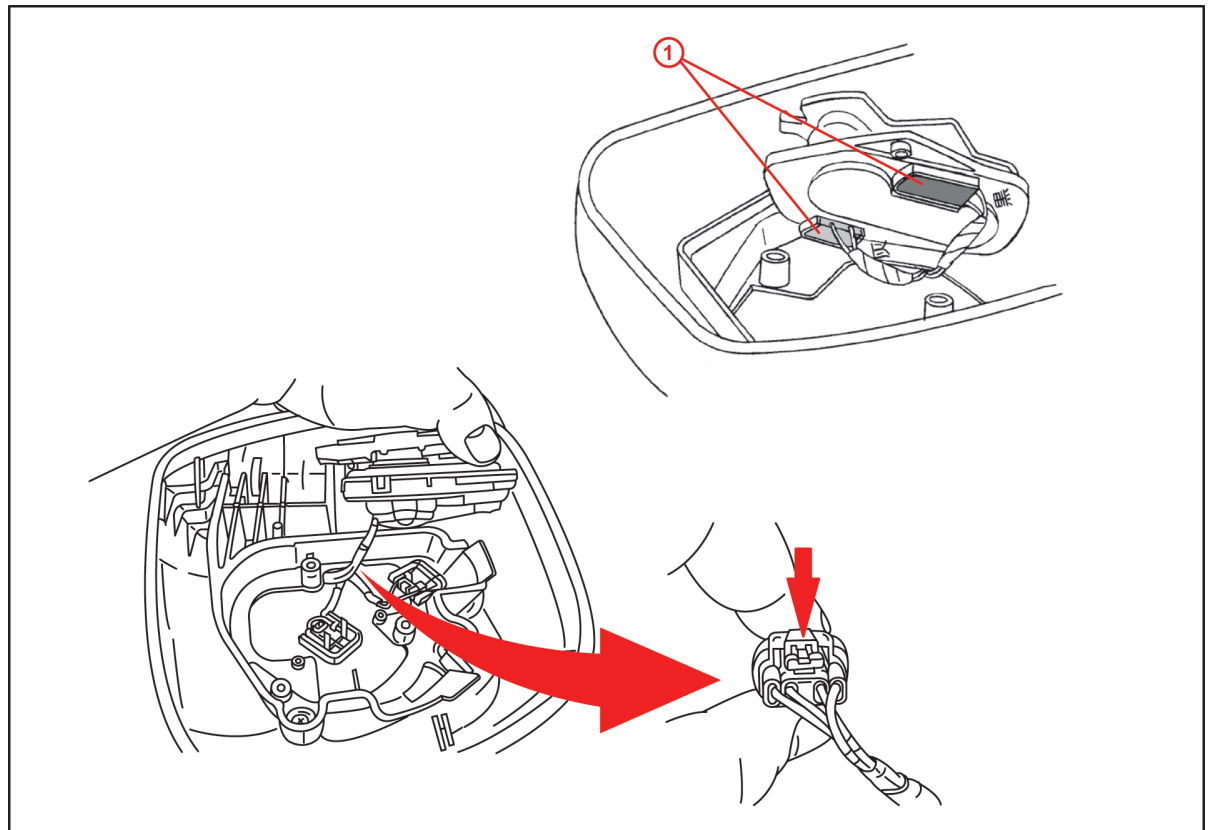
<b>1</b>	<b>3 Screws</b>
----------	-----------------

## Exterior Mirrors Will Not Automatically Return When Shifting from Reverse to Drive

### Repair Procedure (for 2003-2006 MY Mirror Actuator Replacement Only) (Continued)

B. Gently disconnect the three (3) connectors from the mirror actuator.

Figure 7.



1	Connector
---	-----------

**NOTE**

Disconnect the hidden 5-pin connector by pushing down on the lock tab.

C. Remove the OLD actuator and discard.

# Exterior Mirrors Will Not Automatically Return When Shifting from Reverse to Drive

## Repair Procedure (for 2003-2006 MY Mirror Actuator Replacement Only) (Continued)

3. Assemble a NEW actuator and mirror.

Reassembly is the reverse order of disassembly.

You **MUST** fit in the harness connector correctly.

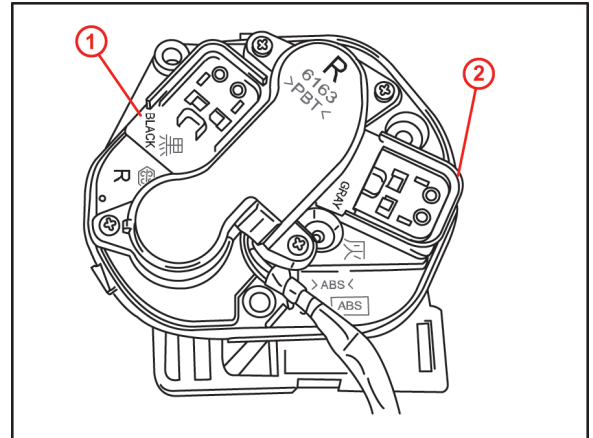
Confirm correct connector color indication on the back surface of the mirror actuator (one gray and one black flat 2-pin connector).

- A. Tighten the three (3) screws for the actuator.

**Torque: 1.5 – 1.96 N\*m (15.30 – 19.99 kgf\*cm, 13.28 – 17.35 ft\*lbf)**

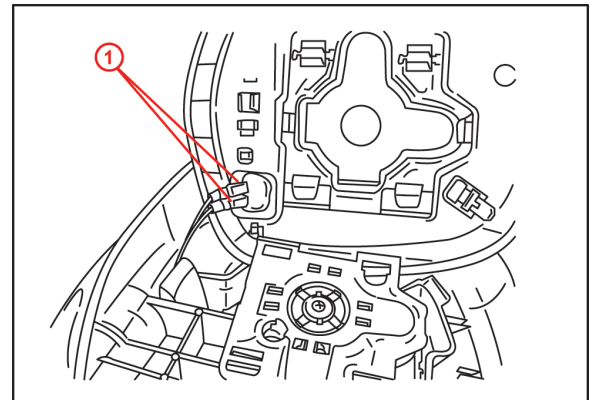
- B. For heated mirrors: Resecure the heater terminals.

Figure 8.



1	Black Connector
2	Gray Connector

Figure 9.



1	Heater Terminals
---	------------------

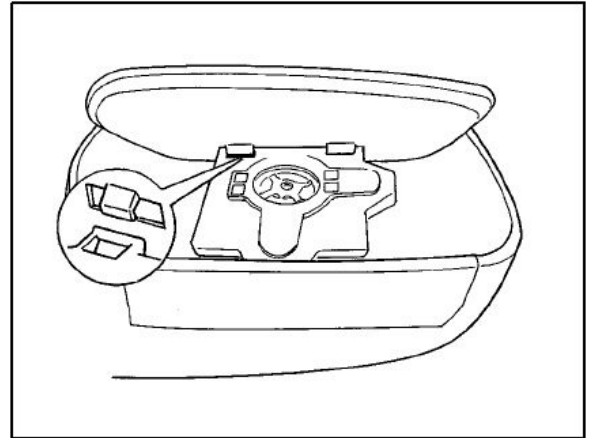


# Exterior Mirrors Will Not Automatically Return When Shifting from Reverse to Drive

## Repair Procedure (for 2003-2006 MY Mirror Actuator Replacement Only) (Continued)

- C. Hook the upper claws of the mirror holder into the plate pivot.

Figure 10.

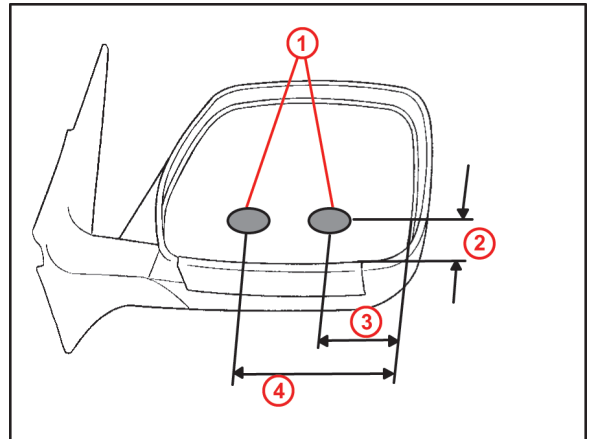


- D. Reconnect the mirror holder — Apply pressure to the indicated areas until you hear the holder clips snap into place.

Figure 11.

**CAUTION**

If pressure is applied in areas other than the ones indicated, the mirror glass may break.



1	Push here
2	50 mm
3	70 mm
4	120 mm

4. Repeat steps 1B through 3D on the opposite side rear view mirror.
5. Reconnect the negative (–) battery terminal.
6. Test normal operation of mirrors.
7. Remove the protective tape and clean the mirror housing and glass.

## Exterior Mirrors Will Not Automatically Return When Shifting from Reverse to Drive

---

### Repair Procedure (for 2003-2006 MY Mirror Actuator Replacement Only) (Continued)

8. Re-initialize power systems.

- 2003 MY

[PD018-05](#): "Initialization of Power Window During PDS"

[PG016-02](#): "Moon Roof Initialization"

- 2004 MY

[PD018-05](#): "Initialization of Power Window During PDS"

[PG016-02](#): "Moon Roof Initialization"

- 2005 MY

[PD010-05](#): "Power System Initialization During PDS."

- 2006 MY

[PD009-06](#): "Power System Initialization During PDS."