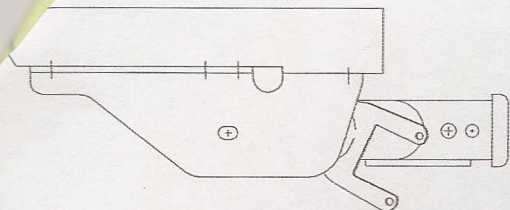


# Installation Instructions

Part Numbers:

**Lexus GX470  
Toyota 4Runner**

**75155  
44548  
70779**



## Hitch Shown In Proper Position

### Equipment Required:

**Fastener Kit: F75155**

**Wrenches: 1/2", 3/4", 10mm, 12mm, 13mm, 17mm**

**Drill Bits: NONE**

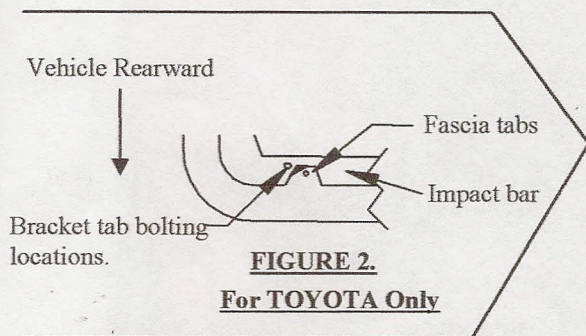
**Other: Tin Snips, Tape**

**Note! Requires removal of factory hitch if equipped.  
This requires the rear fascia to be removed and reinstalled.**

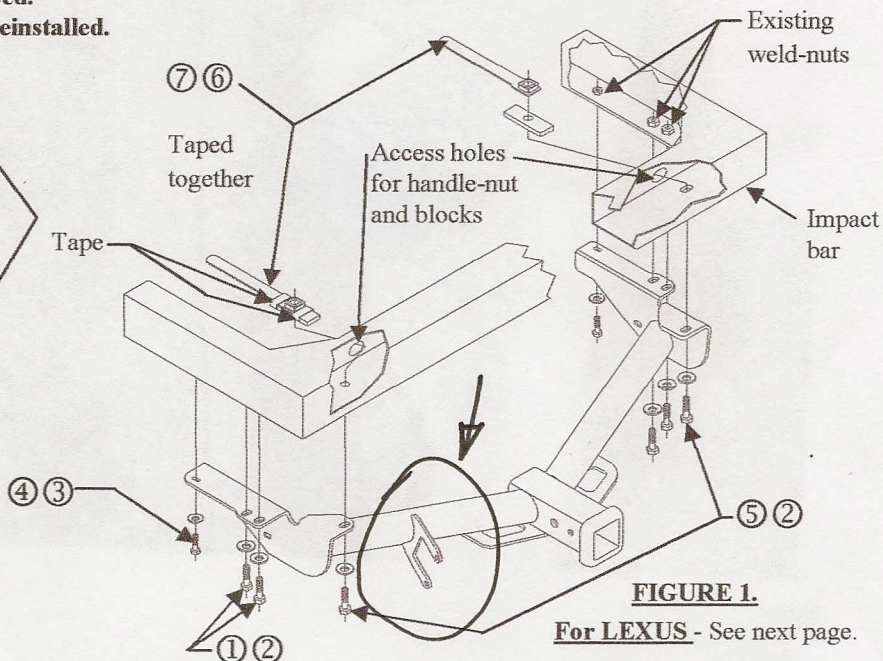
**Do Not Exceed Lower of Towing Vehicle  
Manufacturer's Rating or**

Hitch type	Max Gross Trailer WT (LB)	Max Tongue WT (LB)
Weight Distributing	<b>7300 (3314 Kg)</b>	<b>730 (331 Kg)</b>
Weight Carrying Ball Mount	<b>6000 (2724 Kg)</b>	<b>600 (272 Kg)</b>

**Wiring Access Location: SUV1, SUV2**



Tow hook, remove and return to customer.



①	Qty. (4)	Hex bolt M12 x 1.25 x 40mm CL10.9	⑥	Qty. (2)	Handle nut assembly 1/2"-13
②	Qty. (6)	Conical washer 1/2"	⑦	Qty. (2)	Block 1/4" x 1" x 3"
③	Qty. (2)	Hex bolt M8 x 1.25 x 30mm CL10.9	⑧	Qty. (2)	Hex Bolt 1/4" X 1" (Not Shown)
④	Qty. (2)	Conical washer 3/8"	⑨	Qty. (2)	Flange Nut 1/4" (Not Shown)
⑤	Qty. (2)	Hex bolt 1/2"-13 x 1.50 GR5	⑩	Qty. (4)	Cable tie

Tighten all 1/2" GR5 Handle nut bolts with torque wrench to 50 Lb.-Ft (68N\*M).

Tighten all M8 fasteners with torque wrench to 20 Lb.-Ft (27N\*M).

Tighten all M12 fasteners with torque wrench to 68 Lb.-Ft (92N\*M).

Note: check hitch frequently, making sure all fasteners and ball are properly tightened. If hitch is removed, plug all holes in trunk pan or other body panels to prevent entry of water and exhaust fumes. A hitch or ball which has been damaged should be removed and replaced. Observe safety precautions when working beneath a vehicle and wear eye protection. Do not cut access or attachment holes with a torch.

This product complies with safety specifications and requirements for connecting devices and towing systems of the state of New York, V.E.S.C. Regulation V-5 and SAE J684.