

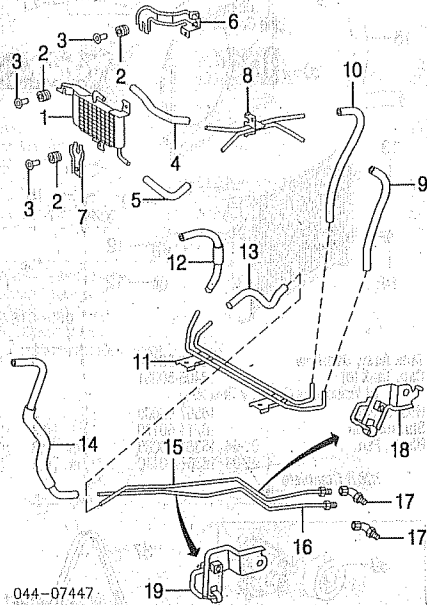
LEXUS GX 470 2003-06

ENGINE OIL COOLER Cont'd

2 Valve, Pressure Relief	15695-50010	m	11.37
3 Hose, Oil Cooler	15777-50060	m	4 12.94
4 Hose, Lower By-Pass	16282-0F010	m	4 5.38
5 Pipe, Oil Cooler	15767-0F010	m	30.78
6 Hose, Upper By-Pass	16281-0F010	m	5.38

TRANS OIL COOLER

R&I Trans Oil Cooler.....m 4



1 Cooler, Trans Oil	32910-60150	m	4 328.49
2 Insulator, Cooler (3)	88467-14070		.11
3 Grommet, Mounting (3)	90039-32130		2.20
4 Hose, Inlet	32942-60410	m	#3 24.18
5 Hose, Outlet	32943-60320	m	#3 18.55
#R&R Both .5			
6 Bracket, Upper Mtg	32913-60240		14.29
7 Bracket, Lower Mtg	32913-60250		6.52
8 Pipe, Cooler Hose	32907-04020	m	.8 27.87
9 Hose, Feed	32943-60330	m	#7 29.87
10 Hose, Return	32943-60240	m	#7 30.92
#R&R Both .9			
11 Tube, Oil Cooler	03 32907-60070	m	.7 59.13
	04-06 32907-60060	m	.7 35.35
Hose, Cooler Tube			
12 Feed	32943-60250	m	#7 37.73
13 Return	90445-17103	m	#7 12.06
#R&R Both .9			
14 Hose, Rear Inlet	32941-60260	m	.6 63.88
15 Tube, Inlet	03-04 32921-60330	m	#7 36.35
	05-06 32921-60380	m	#7 33.30
16 Tube, Outlet	03-04 32922-60350	m	#7 30.44
	05-06 32922-60410	m	#7 33.30
#R&R Both .9			
17 Union, Cooler (2)	03-04 90407-16037	m	9.69
	05-06 90407-16009	m	34.32
Bracket, Tube			
18 Upper	32909-60150		17.06
19 Lower	32909-60140		14.23

A/C REFRIGERANT CAPACITIES

A/C R-134a Refrigerant Capacity
 Single A/C: 22.0-24.0 Ozs (1.4-1.5 Lbs), 624-680g
 Dual A/C: 27.0-29.3 Ozs (1.7-1.8 Lbs), 765-831g

A/C /HEATER/VENTILATION

Use Procedure Explanation 6 with the following text.

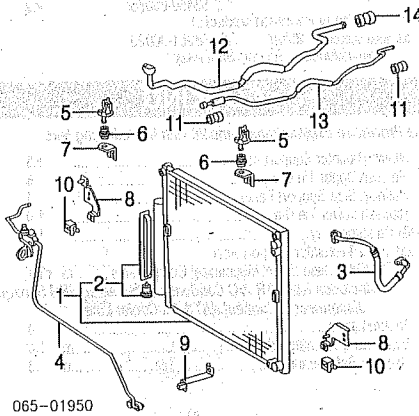
NOTE: R&R Does Not include recover, evacuate and recharge system.

FRONT

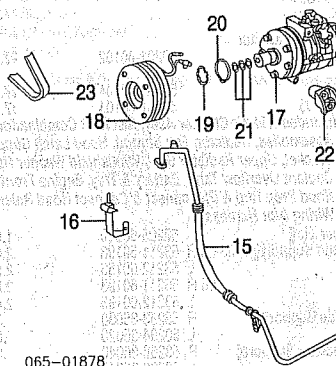
R&I Condenser Assy.....	m	1.0
Evacuate & Recharge System.....	m	1.4
Recover Refrigerant.....	m	.3

Illustration Located in Next Column

1 Condenser Assy			
2003			
Single A/C	88461-35150	m	1.0 360.67
Dual A/C	88461-60090	m	1.0 506.42



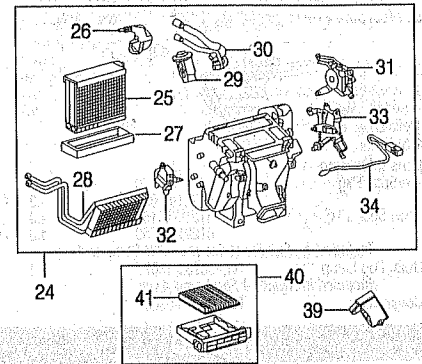
2004-06	88461-60091	m	1.0 771.11
2 Drier, Receiver (a)	88474-17010	m	1.0 261.09
<i>(a) Included w/Condenser Assy</i>			
3 Hose, Discharge	88703-60201	m	.5 149.72
4 Pipe, Condenser			
Single A/C	88710-6B011	m	1.0 124.60
Dual A/C	03 88710-6B021	m	1.0 151.88
	04-06 88710-6B021	m	1.0 151.88
5 Bracket, Mounting	R/L 88688-35620		3.97
6 Bushing, Mounting	R/L 88467-28050		3.34
Bracket, Condenser			
7 Upper	R/L 88688-35630		2.13
8 Lower	R/L 88688-35640		8.58
9 Front	88688-35570		7.79
10 Cushion, Condenser	R/L 88467-35080		7.29
11 Clamp, Hose (2)	88718-02170		3.74
12 Pipe, Suction			
Single A/C	88717-35200	m	.7 99.08
Dual A/C	88717-6A610	m	.7 206.52
13 Pipe, Refrigerant			
Single A/C	88716-35650	m	.7 44.62
Dual A/C	88716-6B530	m	.7 104.65
14 Clamp, Pipe	88718-02160	m	.7 4.18



15 Hose, Suction			
2003			
Single A/C	88704-35020	m	.8 131.73
Dual A/C	88704-35020	m	.8 131.73
2004-06			
w/ Dynamic Suspension	88704-60350	m	.8 199.74
w/o Dynamic Suspension	88704-60340	m	.8 193.92
16 Bracket, Pipe	88688-35670		9.58
17 Compressor			
Single A/C	88320-35691-84	m	1.6 R842.60
Dual A/C	03-04 88320-6A122	m	1.6 1353.40
	05-06 88320-6A122	m	1.6 1353.40
18 Clutch, Compressor	88410-0C040	m	#5 332.70
#w/Compressor Removed			
19 Ring, Snap	90099-07065	m	1.84
20 Washer	90099-07114	m	1.05
21 Washer Kit	88335-14020		1.34
22 Stay, Compressor	88433-35020		18.76
23 Belt, Drive-See Cooling Section			

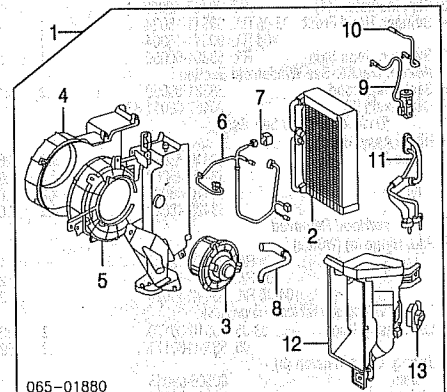
Illustration Located in Next Column

24 Evaporator/Heater Assy	03 87050-60012	m	#2.7 1991.41
	04-05 87050-60012	m	#2.7 1991.41
	06 87050-60200	m	#2.7 2090.97
25 Core, Evaporator	03-05 88501-35130	m	#3.0 247.54
	06 88501-60300	m	#3.0 398.97
26 Cover, Upper Evap	88899-60260	m	2.79
27 Cover, Lower Evap	88899-60250	m	11.21
28 Core, Heater	87107-35100	m	#3.4 309.15
#w/Instrument Panel Removed			
29 Valve, Expansion	03 88515-60150	m	99.82



24			
25			
26			
27			
28			
29			
30			
31			
32			
33			
34			
35			
36			
37			
38			
39			
40			
41			
42			

R&I Evaporator/Heater Assy.....	m	#2.4
#w/Rear Quarter Trim Panel Removed		
Evacuate & Recharge System.....	m	1.4
Recover Refrigerant.....	m	.3



1 Evaporator/Heater Assy	88500-60020	m	#2.7 1044.21
#w/Rear Quarter Trim Panel Removed			
2 Core, Evaporator	88501-44080	m	3.0 391.24
3 Motor/Blower	87103-44070	m	2.8 221.22
Case, Cooler			
4 Outer	88521-60120	m	18.81
5 Inner	88521-60110	m	19.43
6 Harness, A/C	88605-6A080	m	66.66
7 Relay, A/C	88630-16090	m	29.04
Hose, Cooler			
8 Front	88539-35030	m	8.87
Rear	88539-60220	m	12.81
9 Valve, Expansion	88515-60130	m	184.97
10 Thermistor	88625-16210	m	12.10
11 Tube, A/C	88710-6A890	m	106.77
12 Duct, Cooler Air	88566-60360	m	38.73
13 Transistor, Blower	88750-60020	m	56.34
#Included w/Evaporator/Heater Assy			