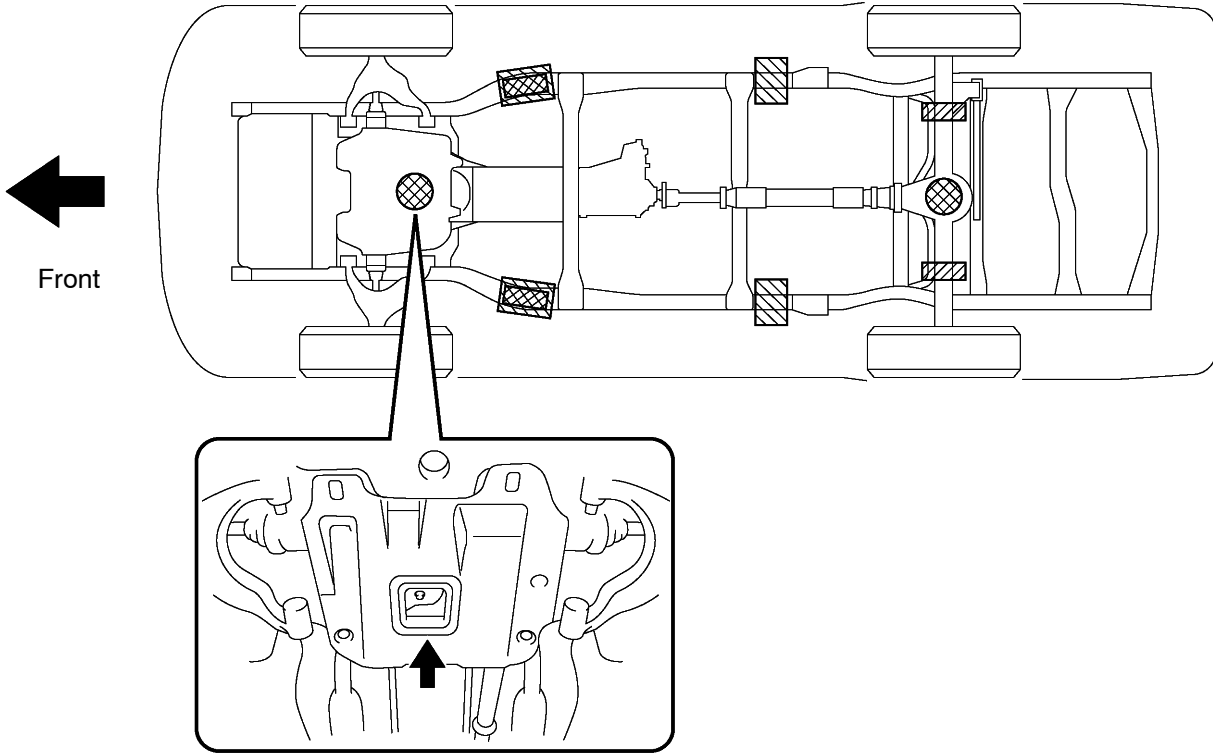



# VEHICLE LIFT AND SUPPORT LOCATIONS




**JACK POSITION** ..... 


Front ..... Center of crossmember

Rear ..... Center of rear axle housing

**CAUTION: When jacking up the front and rear, make sure the vehicle is not carrying any extra weight.**

**SUPPORT POSITION**

Safety stand ..... 

Swing arm type lift ..... 

Y

D29295