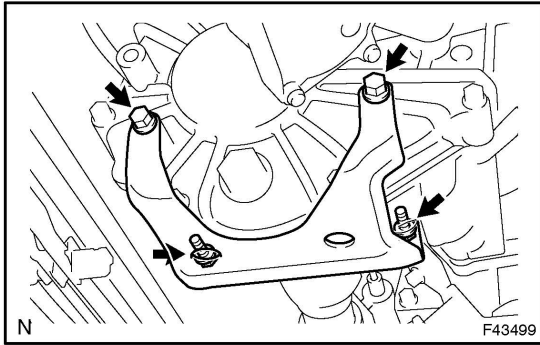


OVERHAUL

HINT:

COMPONENTS : See page 31-6

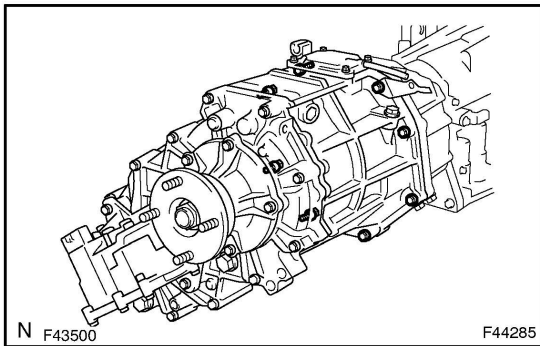
1. DRAIN TRANSFER OIL



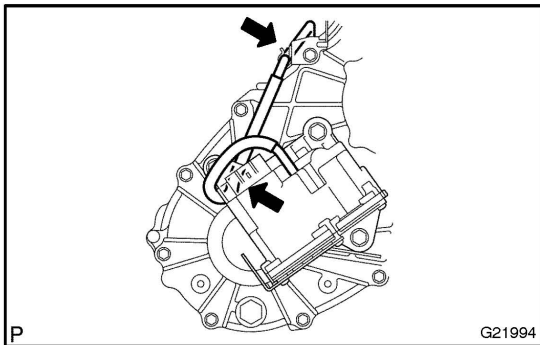
- 2. REMOVE TRANSFER CASE LOWER PROTECTOR**
 (a) Remove the 4 bolts and transfer case lower protector.

3. REMOVE AUTOMATIC TRANSMISSION ASSY

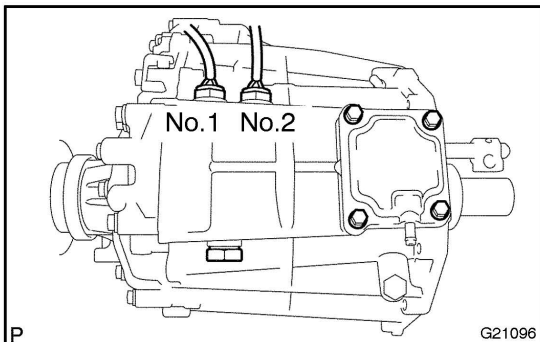
- (a) 2UZ-FE : (See page 40-14)



- 4. REMOVE TRANSFER ASSY**
 (a) Remove the 8 bolts and 2 clamps from the transmission.



- 5. REMOVE HOSES**
 (a) Remove an actuator motor breather hose.



- 6. REMOVE SWITCH**
 (a) Remove the indicator No.1 and No.2 switches, case No.1 plug and gaskets.