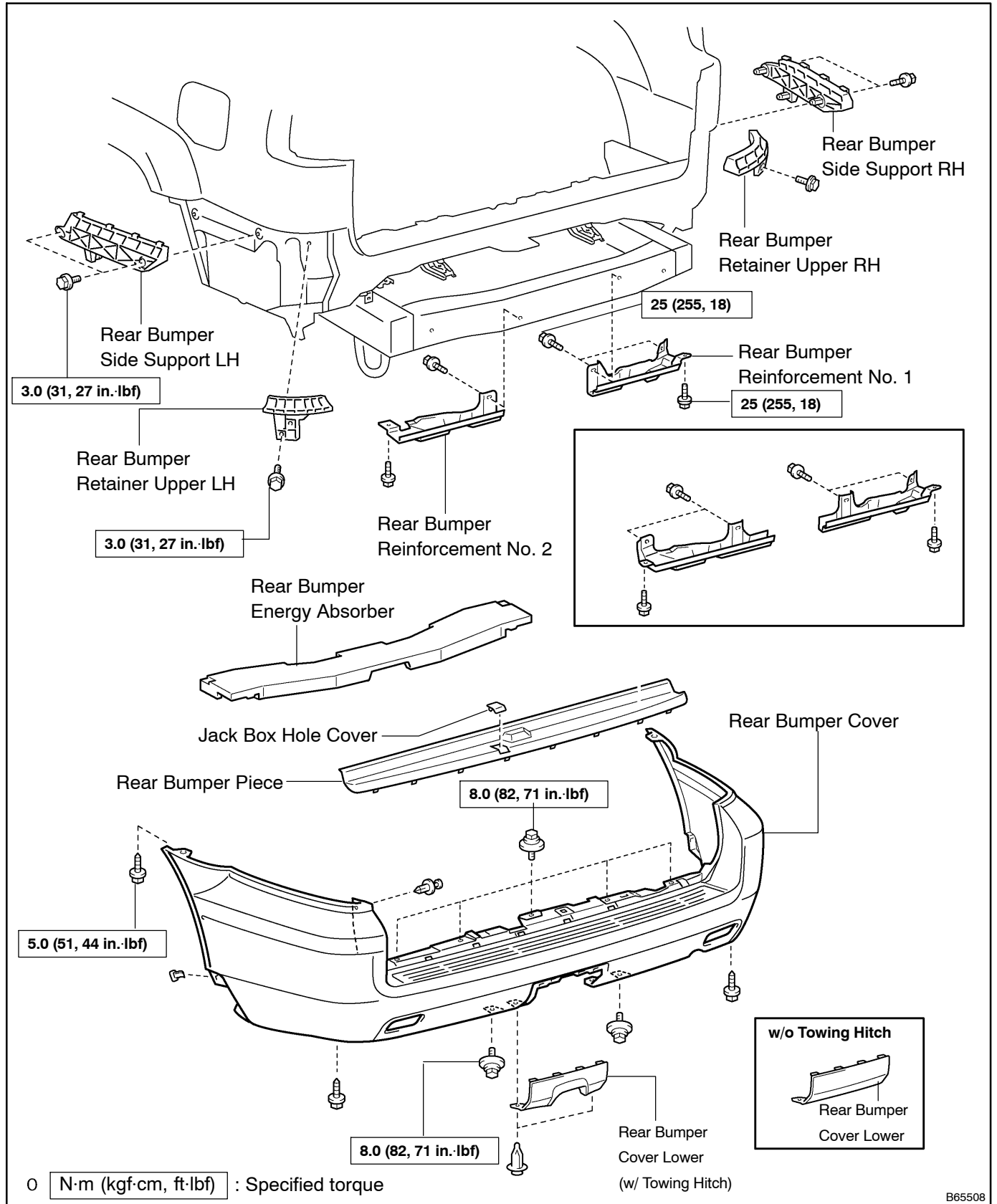


# REAR BUMPER COMPONENTS

760RQ-01



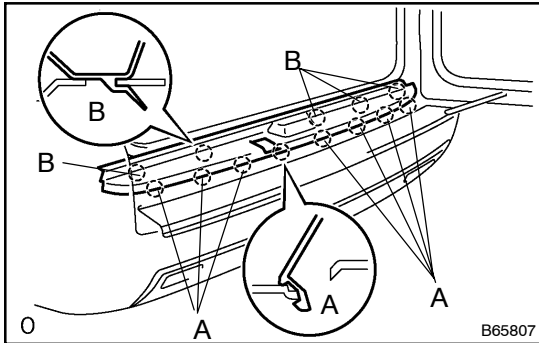
B65508

## REPLACEMENT

### HINT:

The installation is in the reverse order of the removal. However, when there is a special point concerning the installation, it is indicated.

### 1. REMOVE BACK DOOR LINK SUB-ASSY LOWER



### 2. REMOVE REAR BUMPER PIECE

- (a) Using a screwdriver, disengage the claws and remove the hole cover.

#### HINT:

Tape the screwdriver tip before use.

- (b) Remove the bolt and back door stay.  
 (c) Using a screwdriver, disengage the claws and remove the bumper piece.

#### HINT:

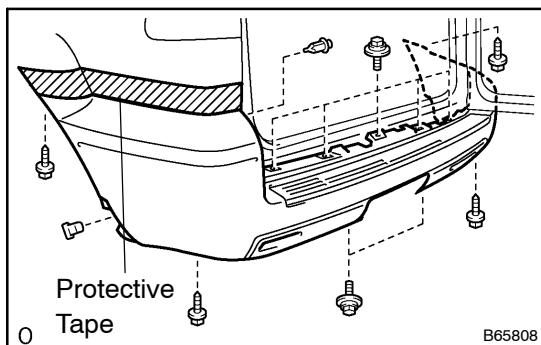
Tape the screwdriver tip before use.

### 3. REMOVE REAR BUMPER COVER LOWER

- (a) Remove the 2 clips.  
 (b) Using a screwdriver, disengage the claws and remove the cover.

#### HINT:

Tape the screwdriver tip before use.



### 4. REMOVE REAR BUMPER COVER

- (a) Put protective tape under the quarter panel and over fender.  
 (b) Remove the 7 bolts, 4 screws and clip.  
 (c) Using a screwdriver, disengage the 10 claws and remove the bumper cover.

#### HINT:

Tape the screwdriver tip before use.

### 5. REMOVE REAR BUMPER ENERGY ABSORBER

### 6. REMOVE REAR BUMPER REINFORCEMENT NO.1

- (a) w/ Towing hitch:  
 Remove the 3 bolts and reinforcement.  
 (b) w/o Towing hitch:  
 Remove the 3 bolts and reinforcement.

### 7. REMOVE REAR BUMPER REINFORCEMENT NO.2

- (a) w/ Towing hitch:  
 Remove the 2 bolts and reinforcement.  
 (b) w/o Towing hitch:  
 Remove the 3 bolts and reinforcement.

### 8. REMOVE REAR BUMPER RETAINER UPPER LH

- (a) Remove the screw and retainer.

### 9. REMOVE REAR BUMPER RETAINER UPPER RH

- (a) Remove the screw and retainer.

- 10. REMOVE REAR BUMPER SIDE SUPPORT LH**
  - (a) Remove the 2 screws and side support.
- 11. REMOVE REAR BUMPER SIDE SUPPORT RH**
  - (a) Remove the 2 screws and side support.
- 12. INSTALL REAR BUMPER REINFORCEMENT NO.1**
- 13. INSTALL REAR BUMPER REINFORCEMENT NO.2**
- 14. INSTALL BACK DOOR LINK SUB-ASSY LOWER**