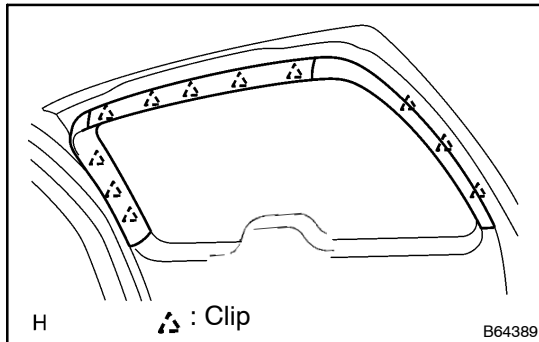


## OVERHAUL

### HINT:

The installation is in the reverse order of the removal. However, when there is a special point concerning the installation, it is indicated.



### 1. REMOVE BACK DOOR GARNISH CENTER

- (a) Using a clip remover, disengage the 5 clips, and remove the garnish center.

### 2. REMOVE BACK DOOR SIDE GARNISH LH

- (a) Using a clip remover, disengage the 3 clips, and remove the side garnish.

### 3. REMOVE BACK DOOR SIDE GARNISH RH

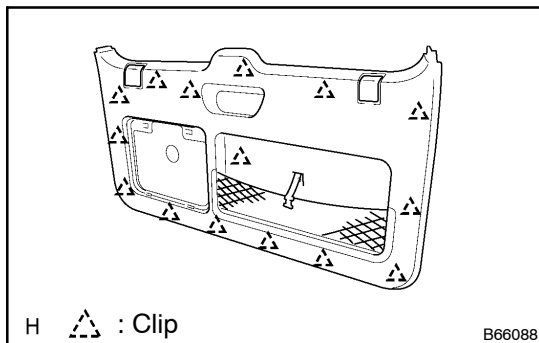
- (a) Using a clip remover, disengage the 3 clips, and remove the side garnish.

### 4. REMOVE TOOL BOX PANEL SUB-ASSY UPPER

- (a) Remove the tool cover and tool set.

### 5. REMOVE ASSIST GRIP ASSY

- (a) Remove the 2 assist grip covers and assist grip assy.



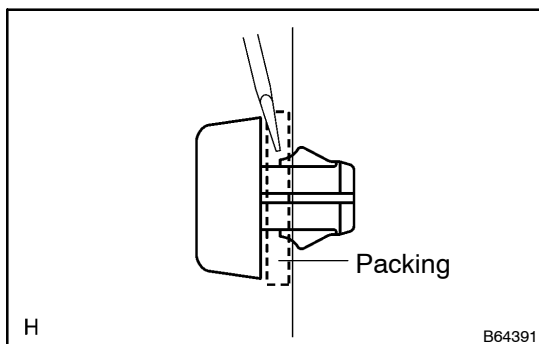
### 6. REMOVE BACK DOOR TRIM BOARD

- (a) Remove the 2 trim board covers.  
 (b) Remove the screw.  
 (c) Using a screwdriver, disengage the 15 clips and remove the trim board.

### HINT:

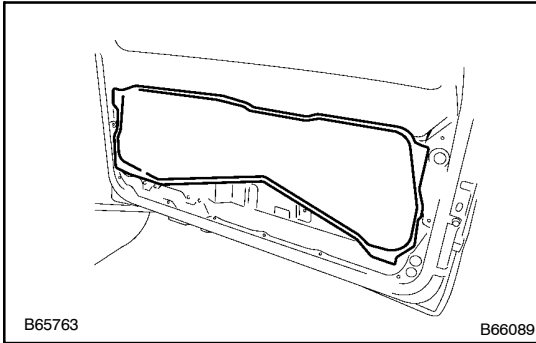
Tape the screwdriver tip before use.

- (d) Remove the 7 screws and trim pocket.  
 (e) w/ Speaker  
 Remove the 4 screws and rear speaker grille sub-assy LH and RH.



### 7. REMOVE BACK DOOR STOPPER LOWER

- (a) Remove the packing.  
 (b) Using a screwdriver, disengage the claw, and remove the stopper lower.

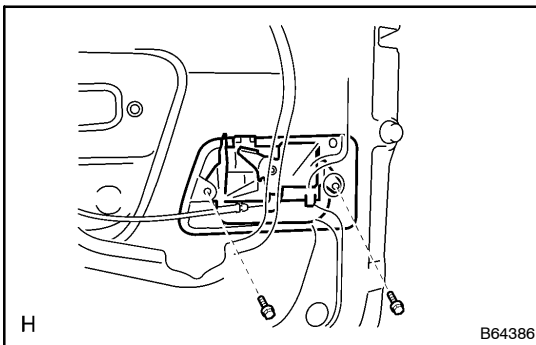


### 8. REMOVE BACK DOOR SERVICE HOLE COVER

#### NOTICE:

Remove the remaining tape on the door side.

### 9. REMOVE STEREO COMPONENT SPEAKER ASSY (W/ SPEAKER) (See page 67-20)



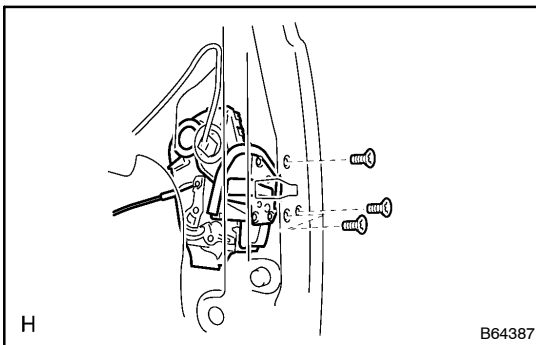
### 10. REMOVE BACK DOOR OUTSIDE HANDLE

(a) Remove the 2 bolts and outside handle.

(b) Remove the cable.

#### HINT:

Remove the outside handle through the service hole.



### 11. REMOVE W/MOTOR BACK DOOR LOCK ASSY

(a) Disconnect the door lock connector.

(b) Using a torx<sup>®</sup> socket wrench (T30), remove the 3 screws and door lock assy.

#### HINT:

Remove the door lock assy through the service hole.

### 12. REMOVE LICENSE REAR LAMP COVER (See page 76-34)

### 13. REMOVE BACK DOOR GARNISH SUB-ASSY OUTSIDE (See page 76-34)

### 14. REMOVE REAR WIPER MOTOR ASSY (See page 66-10)

### 15. REMOVE BACK DOOR SIDE FEMALE STOPPER SUB-ASSY RH

(a) Remove the 2 bolts and female stopper sub-assy.

### 16. REMOVE BACK DOOR LINK SUB-ASSY LOWER

(a) Remove the top set bolt cap B.

(b) Remove the bolt and back door link sub-assy.

### 17. REMOVE BACK DOOR STAY RAIL SUB-ASSY RH

(a) Remove the 2 bolts and stay rail sub-assy.

### 18. REMOVE REAR BUMPER COVER (See page 76-5)

### 19. REMOVE BACK DOOR STAY BRACKET SUB-ASSY RH

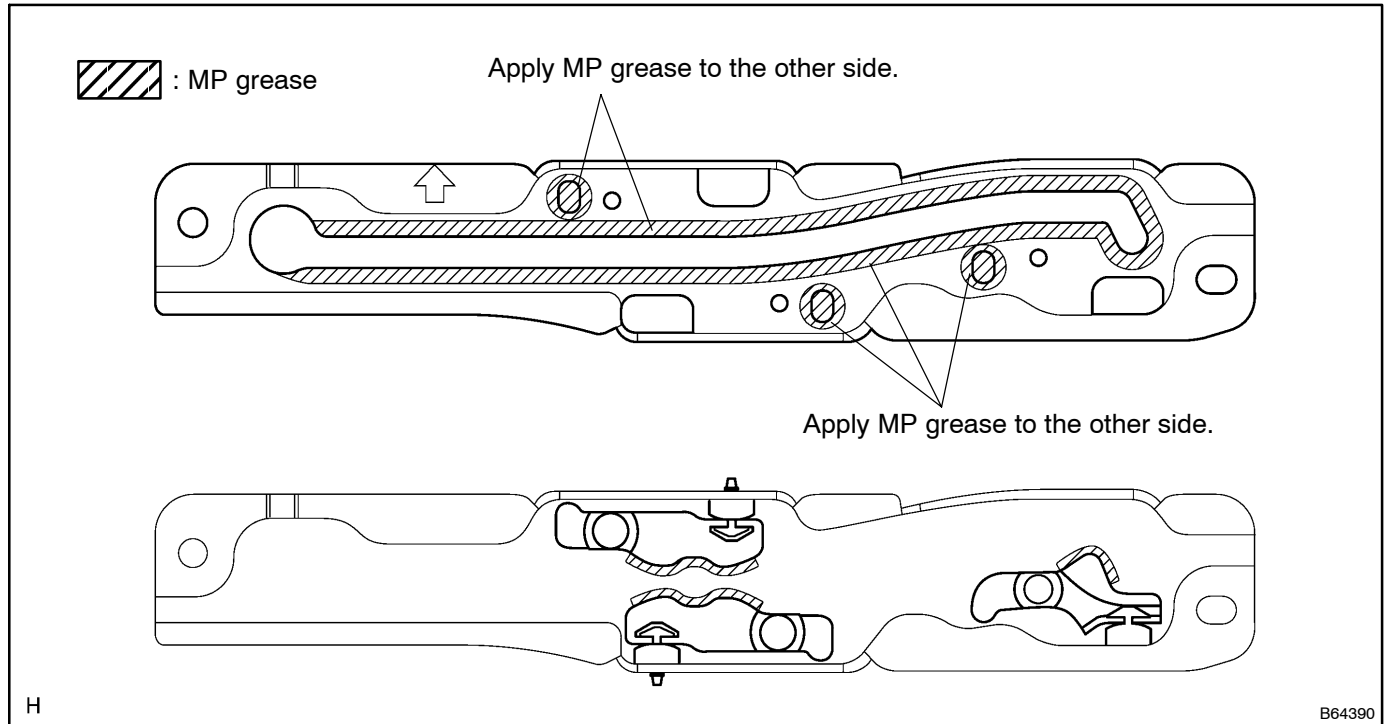
(a) Remove the 2 bolts and stay bracket sub-assy.

**20. INSTALL BACK DOOR STAY BRACKET SUB-ASSY RH**

- (a) Install the back door stay bracket sub-assy with the 2 bolts.  
**Torque: 18 N·m (184 kgf·cm, 13 ft·lbf)**

**21. INSTALL BACK DOOR STAY RAIL SUB-ASSY RH**

- (a) Apply MP grease to the sliding parts of the stay rail sub-assy, as shown in the illustration.



- (b) Install the stay rail sub-assy with the 2 bolts.

**Torque: 18 N·m (184 kgf·cm, 13 ft·lbf)**

- (c) Install the top set bolt cap B.

**22. INSTALL BACK DOOR LINK SUB-ASSY LOWER**

- (a) Install the link sub-assy with the bolts.

**Torque: 18 N·m (184 kgf·cm, 13 ft·lbf)**

**23. INSTALL BACK DOOR SIDE FEMALE STOPPER SUB-ASSY RH**

- (a) Install the female stopper with the 2 bolts.

**Torque: 7.0 N·m (71 kgf·cm, 62 in·lbf)**

**24. INSTALL W/MOTOR BACK DOOR LOCK ASSY**

- (a) Apply MP grease to the sliding and rotating parts of the door lock assy.
- (b) If reusing door lock assy:  
 Install a new door lock wire harness packing.

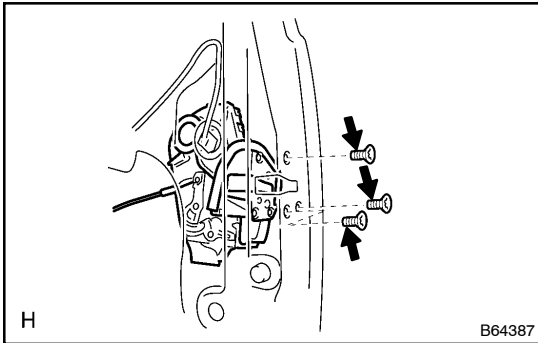
**NOTICE:**

- If reusing the door lock that has been removed, replace the packing in the connecting part with a new one.
- Be careful that no grease and dirt sticks to the packing surface in the connecting part.
- Reusing removed packing or using damaged packing will allow water to penetrate through to the connecting part, resulting in a malfunction of the door lock.

- (c) Insert the outside handle link into the door lock, and then set it to the door panel.

**NOTICE:**

**Make sure that the outside handle link is securely engaged with the lock assembly.**



- (d) Apply adhesive to the threads of the screws.

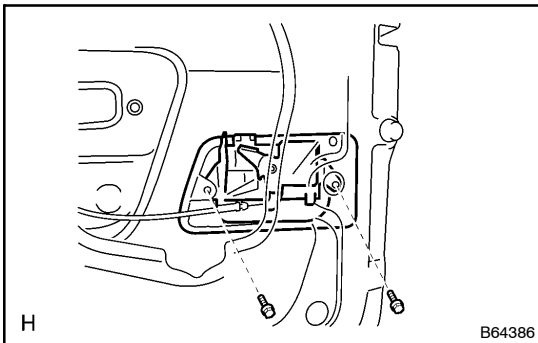
**Adhesive:**

**Part No. 08833-00070, THREE BOND 1324 or equivalent**

- (e) Using a torx<sup>®</sup> socket wrench (T30), install the door lock assembly with the 3 screws.

**Torque: 5.0 N·m (51 kgf·cm, 42 in·lbf)**

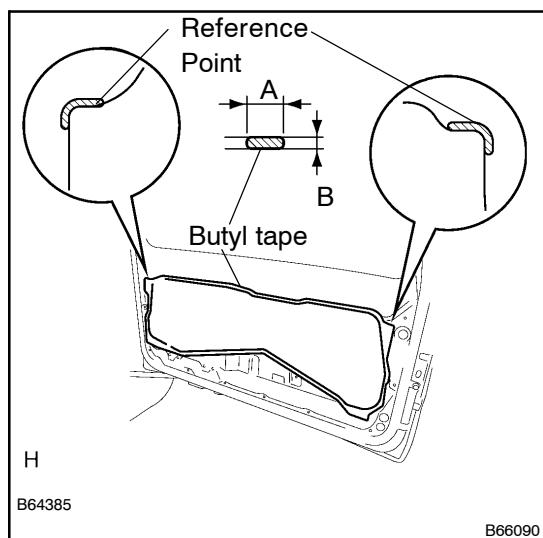
- (f) Connect the door lock connector.

**25. INSTALL BACK DOOR OUTSIDE HANDLE**

- (a) Install the handle with the 2 bolts.

**Torque: 5.0 N·m (51 kgf·cm, 42 in·lbf)**

**26. INSTALL STEREO COMPONENT SPEAKER ASSY(W/ SPEAKER) (See page 67-20)**



## 27. INSTALL BACK DOOR SERVICE HOLE COVER (W/ SPEAKER)

- (a) Apply butyl tape to the door, as shown in the illustration.

### Adhesive:

**Part No. 08850-00065, Butyl Tape Set or equivalent**

- (b) Install the service hole cover.

### HINT:

- When installing the service hole cover, pull out the links and connectors through the service hole cover.
- There should be no wrinkles or folds after attaching the service hole cover.
- After attaching the service hole cover, confirm the sealing condition.

### Dimensions:

A	6.0 mm (0.236 in.)
B	2.0 mm (0.079 in.)

- (c) Install the 2 tool box brackets with the 4 bolts.

**Torque: 8.0 N·m (82 kgf·cm, 71 in·lbf)**