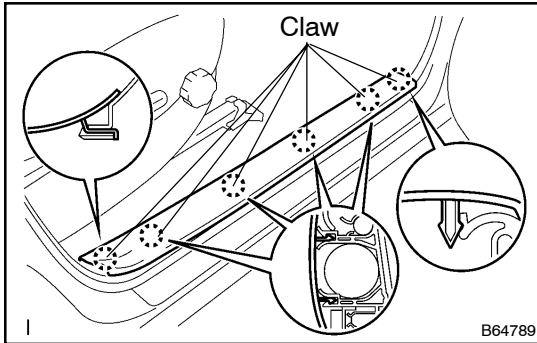


## REPLACEMENT

### HINT:

Installation is in the reverse order of the removal. However, when there is a special point concerning the installation, it is indicated.

1. REMOVE REAR NO. 2 SEAT ASSY LH (See page 72-42)
2. REMOVE REAR NO. 2 SEAT ASSY RH (See page 72-42)



### 3. REMOVE FRONT DOOR SCUFF PLATE LH

- (a) Using a screwdriver, disengage the 6 claws and remove the scuff plate.

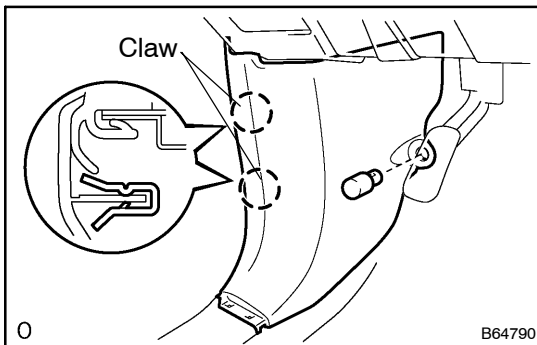
### HINT:

Tape the screwdriver tip before use.

### 4. REMOVE FRONT DOOR SCUFF PLATE RH

### HINT:

Use the same procedures described above for the LH side.



### 5. REMOVE COWL SIDE TRIM BOARD LH

- (a) Remove the cap nut.
- (b) Using a screwdriver, disengage the 2 claws and remove the trim board.

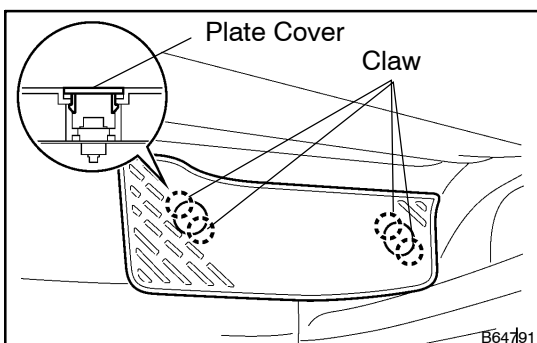
### HINT:

Tape the screwdriver tip before use.

### 6. REMOVE COWL SIDE TRIM BOARD RH

### HINT:

Use the same procedures described above for the LH side.



### 7. REMOVE QUARTER SCUFF PLATE INSIDE LH

- (a) Remove the 2 quarter scuff plate inner covers.
- (b) Using a screwdriver, disengage the 4 claws and remove the scuff plate.

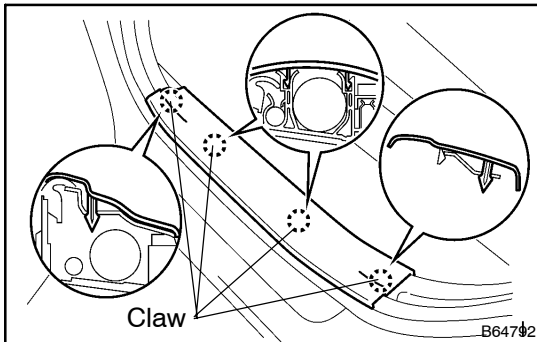
### HINT:

Tape the screwdriver tip before use.

**8. REMOVE QUARTER SCUFF PLATE INNER RH**

HINT:

Use the same procedures described above for the LH side.

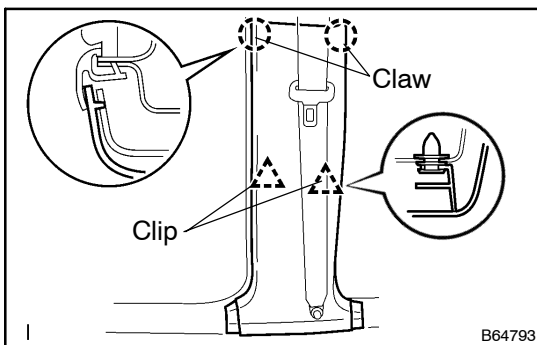
**9. REMOVE REAR DOOR SCUFF PLATE LH**

- (a) Using a screwdriver, disengage the 4 claws and remove the scuff plate.

**10. REMOVE REAR DOOR SCUFF PLATE RH**

HINT:

Use the same procedures described above for the LH side.

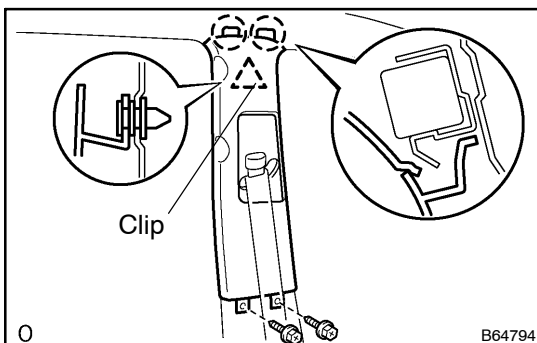
**11. REMOVE FRONT DOOR OPENING TRIM WEATHERSTRIP LH****12. REMOVE FRONT DOOR OPENING TRIM WEATHERSTRIP RH****13. REMOVE REAR DOOR OPENING TRIM WEATHERSTRIP RH****14. REMOVE REAR DOOR OPENING TRIM WEATHERSTRIP RH****15. REMOVE CENTER PILLAR GARNISH LOWER LH**

- (a) Remove the front seat belt anchor bolt and front seat belt.  
 (b) Disengage the 2 clips and 2 claws, and remove the center pillar garnish.

**16. REMOVE CENTER PILLAR GARNISH LOWER RH**

HINT:

Use the same procedures described above for the LH side.

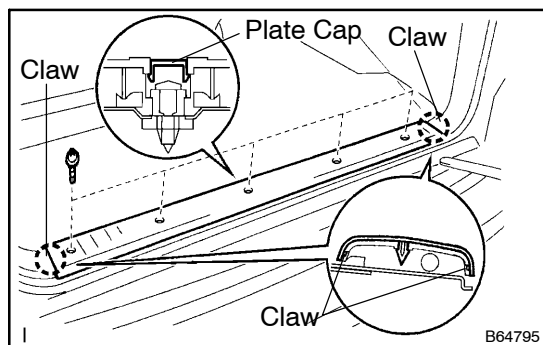
**17. REMOVE CENTER PILLAR GARNISH LH**

- (a) Remove the 2 screws.  
 (b) Disengage the 2 claws and clip, and remove the pillar garnish.

**18. REMOVE CENTER PILLAR GARNISH RH**

HINT:

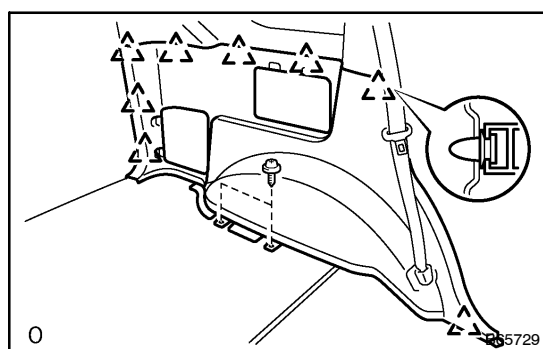
Use the same procedures described above for the LH side.

**19. REMOVE BACK DOOR WEATHERSTRIP****20. REMOVE REAR FLOOR MAT SUPPORT PLATE REAR**

- (a) Remove the 5 screws.
- (b) Using a screwdriver, disengage the 2 claws and remove the mat support plate.

HINT:

Tape the screwdriver tip before use.

**21. REMOVE QUARTER INSIDE TRIM BOARD LH**

- (a) Remove the bolt and the floor anchor part of the rear No. 1 seat belt assy.
- (b) Remove the 3 screws .
- (c) Using a screwdriver, disengage the 8 clips and remove the trim board.

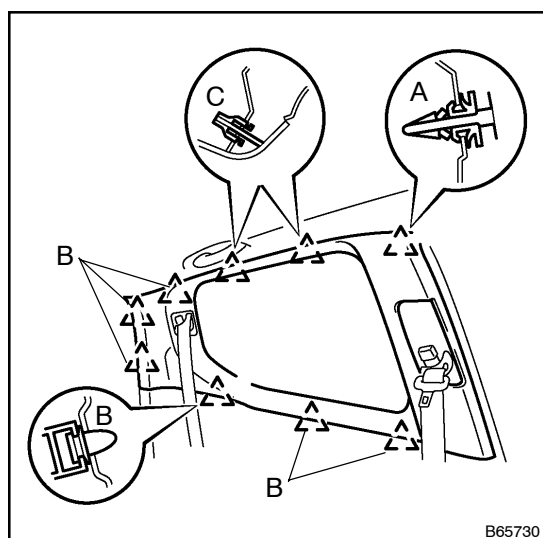
HINT:

Tape the screwdriver tip before use.

**22. REMOVE QUARTER INSIDE TRIM BOARD RH**

HINT:

Use the same procedures described above for the LH side.

**23. REMOVE ROOF SIDE GARNISH INNER LH**

- (a) Remove the floor anchor part of the seat No. 2 belt assy.
- (b) Using a screwdriver, firmly push the pin to disengage the clips (A).

HINT:

Tape the screwdriver tip before use.

- (c) Using a screwdriver, disengage the 8 clips (B and C) and remove the garnish.

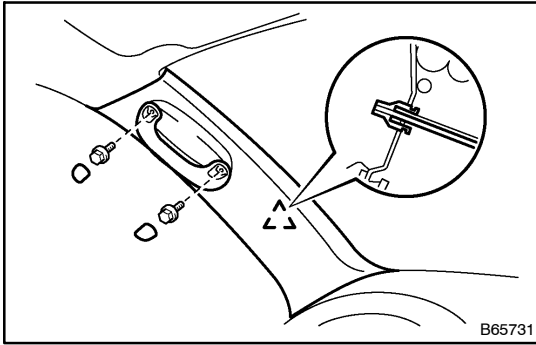
HINT:

- Tape the screwdriver tip before use.
- The clip (A) cannot be reused.

**24. REMOVE ROOF SIDE GARNISH INNER RH**

HINT:

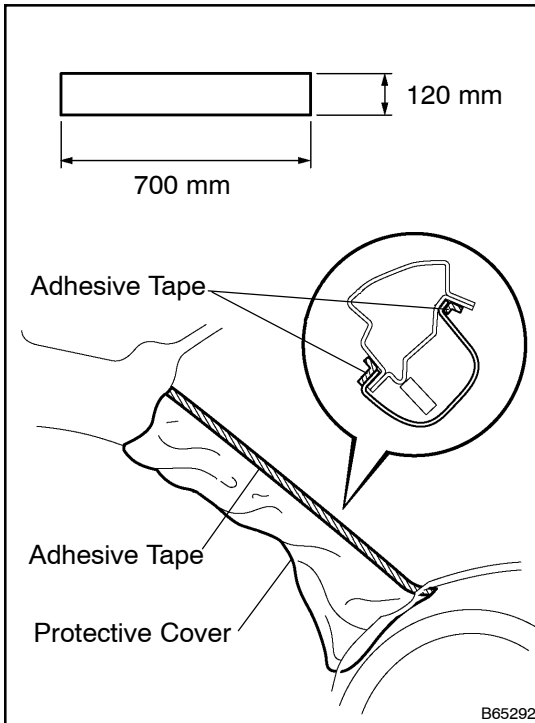
Use the same procedures described above for the LH side.

**25. REMOVE FRONT PILLAR GARNISH LH**

- (a) Remove the 2 grip plugs, 2 screws and assist grip.
- (b) Using a screwdriver, disengage the clip and remove the garnish.

**HINT:**

Tape the screwdriver tip before use.



- (c) Pull the garnish upward, and remove the pillar garnish from the instrument panel.

- (d) w/ Curtain shield airbag:  
Protect the curtain shield airbag.

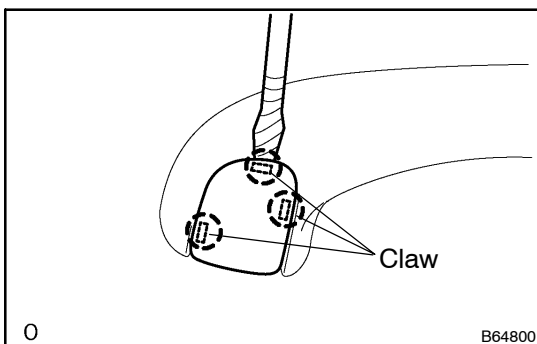
- (1) Thoroughly cover the airbag with cloth or nylon of 700 mm (27.56 in.) x 120 mm (4.72 in.) and fix the ends of the cover with adhesive tape, as shown in the illustration.

**NOTICE:**

**Cover the curtain shield airbag with the protection cover as soon as the front pillar garnish is removed.**

**26. REMOVE FRONT PILLAR GARNISH RH****HINT:**

Use the same procedures described above for the LH side.

**27. REMOVE ASSIST GRIP ASSY**

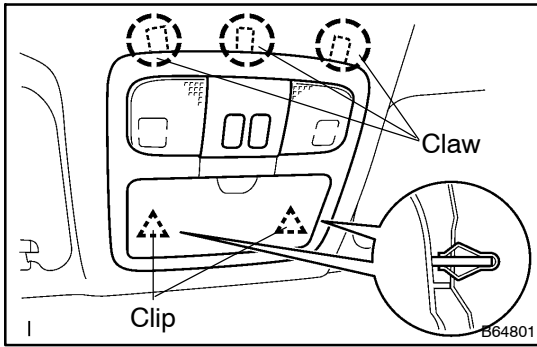
- (a) Using a screwdriver, disengage the 6 claws and remove the 2 assist grip plugs.

**HINT:**

Tape the screwdriver tip before use.

- (b) Remove the 2 screws and assist grip.

**28. REMOVE TELEVISION BASE (W/ RR TELEVISION)**

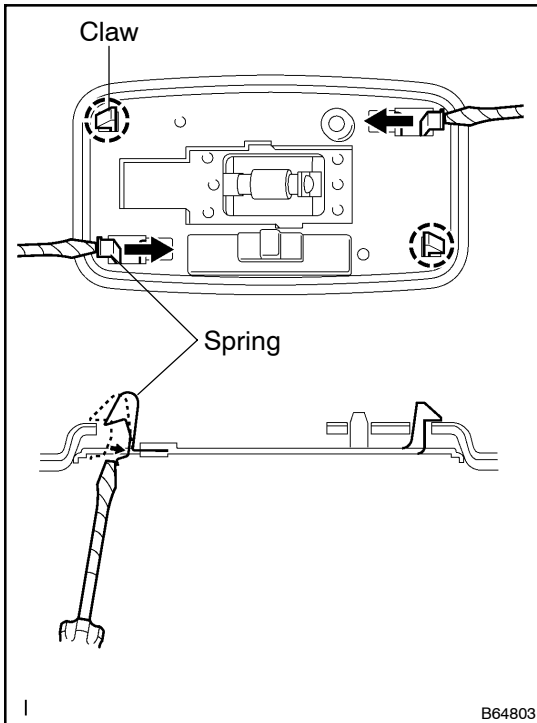
**29. REMOVE ROOF CONSOLE BOX SUB-ASSY**

- (a) Using a screwdriver, disengage the 3 claws and 2 clips, and remove the console box assy.

HINT:

Tape the screwdriver tip before use.

- (b) Disconnect the map lamp switch connector and sliding roof switch connector.

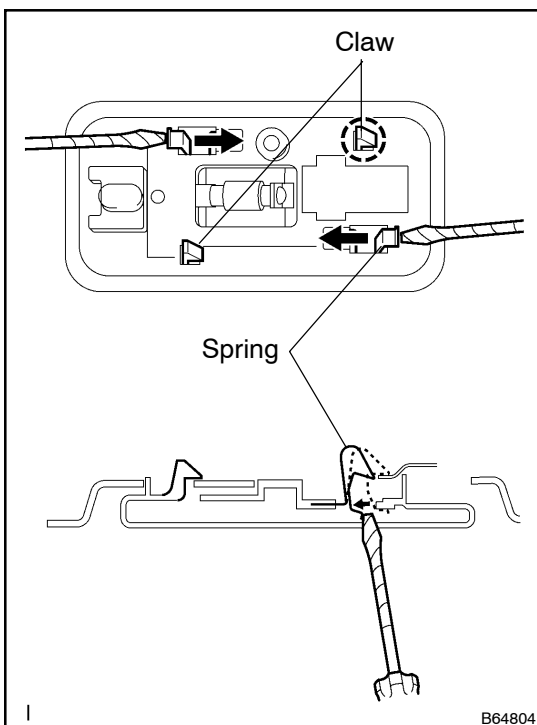
**30. REMOVE ROOM LAMP ASSY NO.1**

- (a) Using a screwdriver, remove the lens cover.
- (b) Using a screwdriver, disengage the 4 claws and remove the room lamp assy, as shown in the illustration.

HINT:

Tape the screwdriver tip before use.

- (c) Disconnect the room lamp connector.

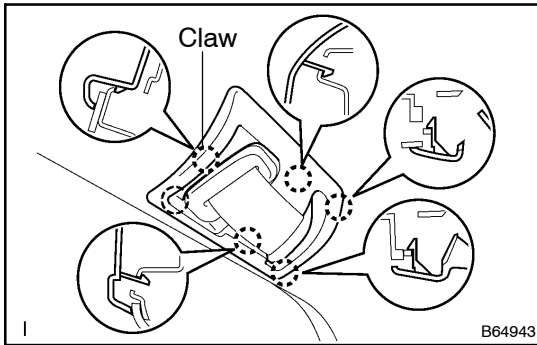
**31. REMOVE ROOM LAMP ASSY NO.2**

- (a) Using a screwdriver, remove the lens cover.
- (b) Using a screwdriver, disengage the 4 claws and remove the room lamp assy, as shown in the illustration.

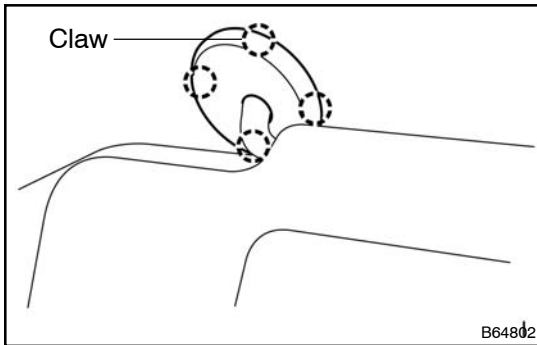
HINT:

Tape the screwdriver tip before use.

- (c) Disconnect the room lamp connector.

**32. REMOVE ROOF HEADLINING REAR TRIM COVER LH**

- (a) Pull out the seat belt buckle from the roof headlining trim cover.
- (b) Using a roof moulding remover, disengage the 6 claws and remove the roof headlining trim cover.

**33. REMOVE VISOR BRACKET COVER**

- (a) Remove the 2 screws and center visor.
- (b) Using a screwdriver, disengage the 4 claws and remove the visor bracket cover.

**HINT:**

Tape the screwdriver tip before use.

**34. REMOVE LH VISOR ASSY**

- (a) Remove the 2 screws and visor assy.

**35. REMOVE RH VISOR ASSY**

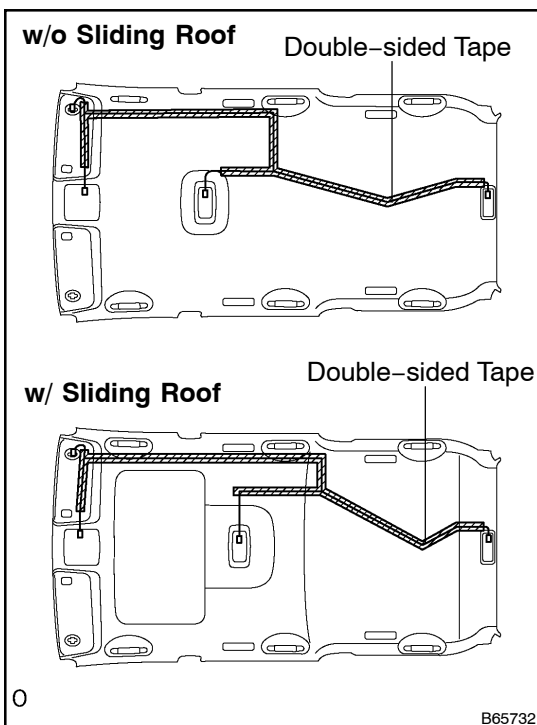
- (a) Remove the 2 screws and visor assy.

**36. REMOVE VISOR HOLDER**

- (a) Remove the screws and visor holders.

**37. REMOVE ROOF HEADLINING ASSY****38. REMOVE ROOF SIDE AIR OUTLET REGISTER**

- (a) Remove the screw and register.

**39. INSTALL ROOF HEADLINING ASSY**

- (a) Attach double-sided tape along the markings on the roof panel, as shown in the illustration.

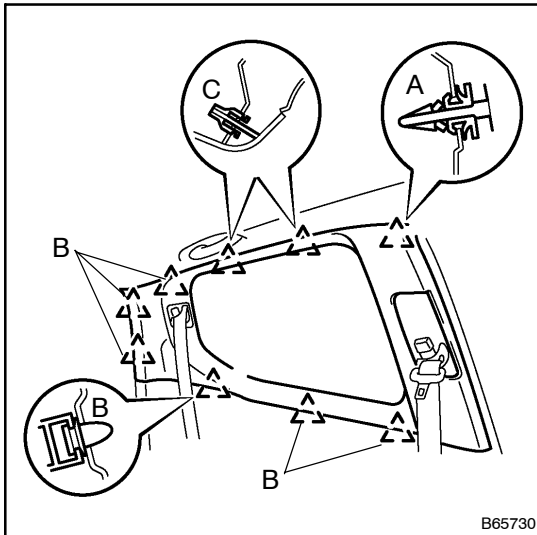
**HINT:**

Be careful that dirt or foreign object does not stick to the adhesive part when removing the peeling paper from the double-sided tape.

- (b) Attach the roof wire harness across the adhesive part.

**NOTICE:**

**Attach roof wire harness securely.**

**40. INSTALL ROOF SIDE GARNISH INNER LH**

- (a) Install the clip (A) in the pin on the garnish side.
- (b) Engage the claws and 8 clips.
- (c) Install the floor anchor part of the rear seat No. 2 belt assy.

**Torque: 42 N·m (430 kgf·cm, 31 ft·lbf)**

**41. INSTALL ROOF SIDE GARNISH INNER RH**

HINT:

- (a) Use the same procedures described above for the LH side.
- 42. INSTALL FRONT SEAT OUTER BELT ASSY LH**
- 43. INSTALL FRONT SEAT OUTER BELT ASSY RH**
- 44. INSTALL REAR SEAT BELT ASSY OUTER**
- 45. INSTALL REAR SEAT BELT ASSY OUTER**
- 46. INSTALL REAR NO. 2 SEAT ASSY LH (See page 72-42)**
- 47. INSTALL REAR NO. 2 SEAT ASSY RH (See page 72-42)**