

# W/BOX SPEAKER ASSY NO.1

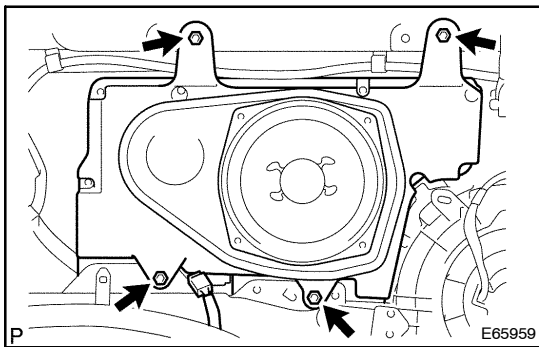
## REPLACEMENT

670NP-03

HINT:

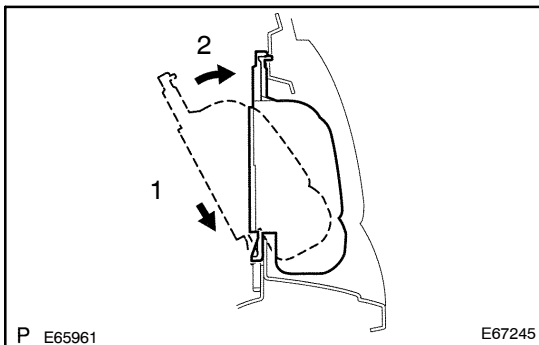
COMPONENTS: See page 67-3.

1. REMOVE REAR DOOR SCUFF PLATE RH (SEE PAGE 76-38)
2. REMOVE REAR DOOR OPENING TRIM WEATHERSTRIP RH
3. REMOVE BACK DOOR WEATHERSTRIP
4. REMOVE REAR FLOOR MAT SUPPORT PLATE REAR (SEE PAGE 76-38)
5. REMOVE PACKAGE TRAY TRIM PANEL ASSY (SEE PAGE 76-38)
6. REMOVE QUARTER INSIDE TRIM BOARD RH (SEE PAGE 76-38)
7. REMOVE ROOF SIDE GARNISH INNER RH (SEE PAGE 76-38)



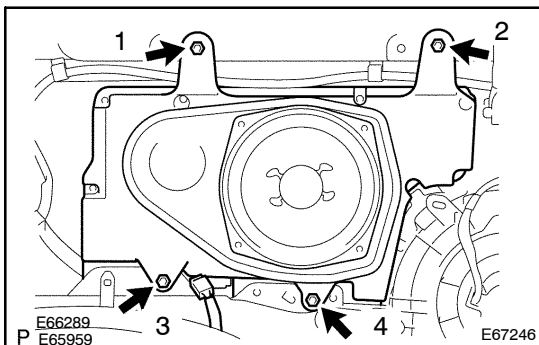
### 8. REMOVE W/BOX SPEAKER ASSY NO.1

- (a) Disconnect the connector.
- (b) Remove the 4 bolts and w/ box speaker assy No.1.



### 9. INSTALL W/BOX SPEAKER ASSY NO.1

- (a) Place the w/ box speaker assy No.1 temporarily on the body as shown in the illustration.



- (b) Install the w/ box speaker assy No.1 with the 4 bolts.

#### NOTICE:

**Install the bolts in the order shown the illustration.**

- (c) Connect the connector.