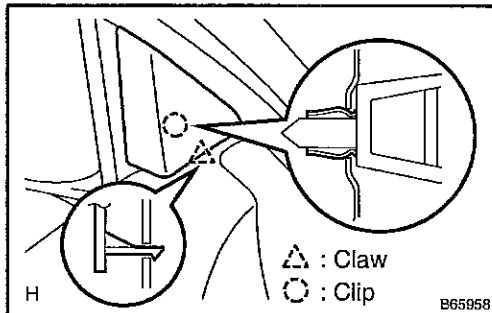


## OVERHAUL

### HINT:

- The installation is in the reverse order of the removal. However, when there is a special point concerning the installation, it is indicated.
- On the RH side, use the same procedures as on the LH side.

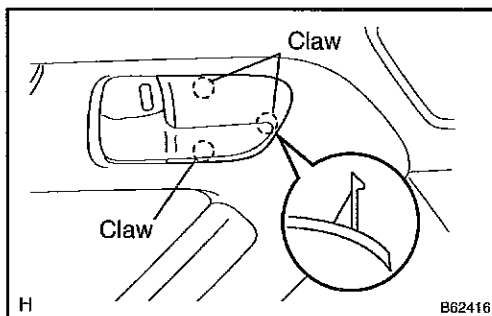


### 1. REMOVE FRONT DOOR LOWER FRAME BRACKET GARNISH LH

- (a) Using a screwdriver, disengage the clip and claw, and remove the lower frame bracket garnish.

#### HINT:

Tape the screwdriver tip before use.

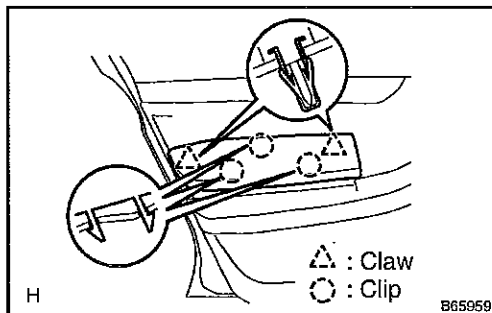


### 2. REMOVE FRONT DOOR INSIDE HANDLE BEZEL LH

- (a) Using a screwdriver, disengage the 3 claws and remove the inside handle bezel.

#### HINT:

Tape the screwdriver tip before use.

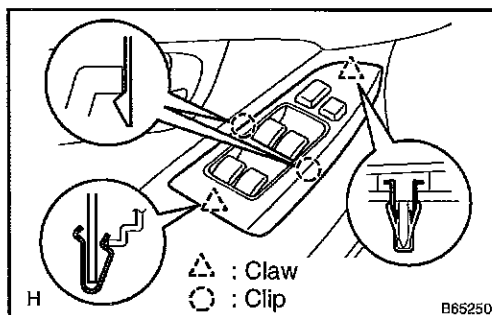


### 3. REMOVE FRONT ARMREST ASSY LH

- (a) Using a screwdriver, disengage the 2 claws and 2 clips, and then remove the armrest assy from the trim board sub-assy.

#### HINT:

Tape the screwdriver tip before use.



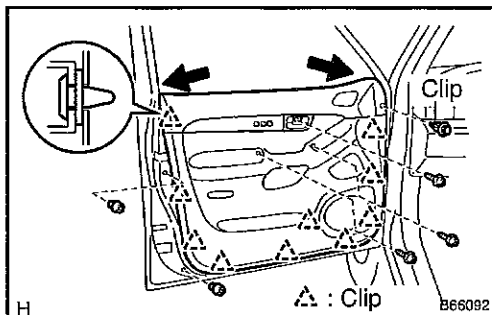
### 4. REMOVE POWER WINDOW REGULATOR MASTER SWITCH ASSY

- (a) Using a screwdriver, disengage the 2 claws and 2 clips, and then remove the armrest base panel upper together with the master switch assy.

#### HINT:

Tape the screwdriver tip before use.

- (b) Disconnect the master switch connector.  
 (c) Remove the 3 screws and the master switch from the armrest base panel upper.



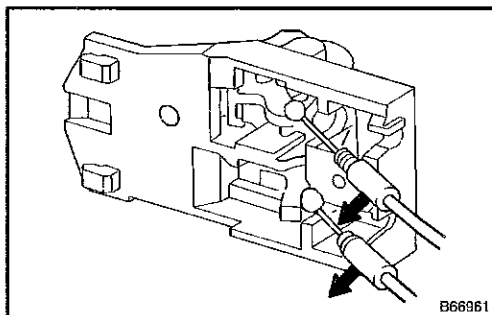
### 5. REMOVE FRONT DOOR TRIM BOARD SUB-ASSY LH

- (a) Remove the 2 cushion rubbers.
- (b) Remove the 3 screws and the clip indicated.
- (c) Using a clip remover, disengage the other 10 clips.
- (d) Remove the trim board sub-assy upward.

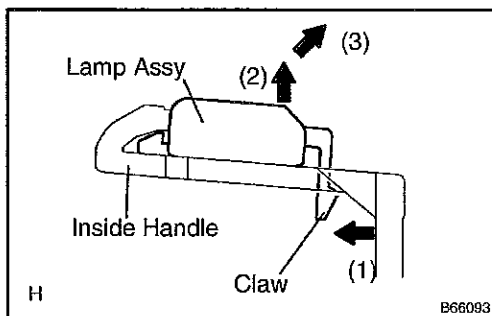
#### HINT:

In order to prevent the door panel from being damaged, cover the parts indicated by arrow marks in the illustration with tape.

- (e) Disconnect the 2 speaker connectors.



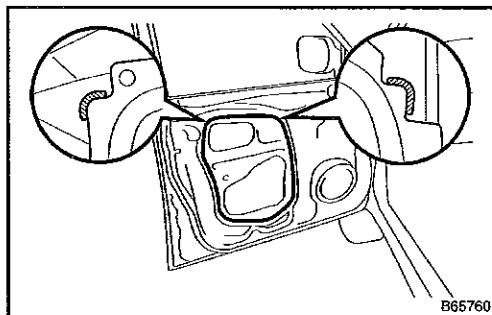
- (f) Disconnect the 2 cables from the inside handle, as shown in the illustration.
- (g) Remove the inner weatherstrip.
- (h) Remove the No. 2 speaker (See page 67-16 ).
- (i) Remove the stereo component speaker (See page 67-20 ).
- (j) Remove the 2 screws and the inside handle sub-assy.



- (k) Using a screwdriver, disengage the claw and remove the illumination lamp assy, as shown in the illustration.

#### HINT:

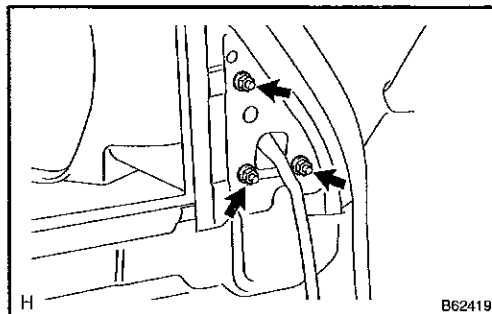
Tape the screwdriver tip before use.



### 6. REMOVE FRONT DOOR SERVICE HOLE COVER LH

#### NOTICE:

Remove the remaining tape on the door side.



### 7. REMOVE OUTER REAR VIEW MIRROR ASSY LH

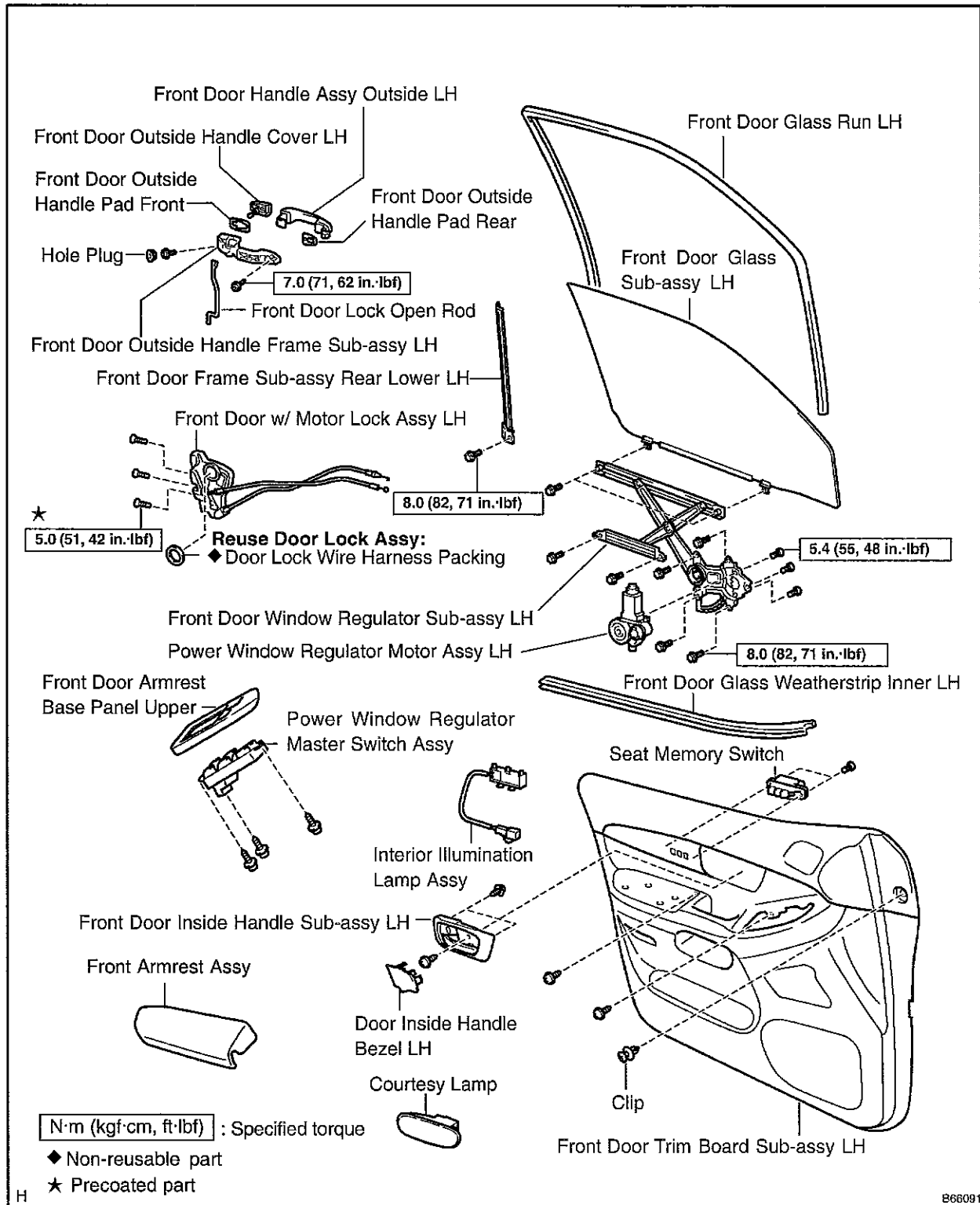
- (a) Disconnect the mirror connector.
- (b) Remove the 3 nuts and outer rear view mirror assy.

#### NOTICE:

When the nuts are removed, the outer rear view mirror assy may fall and become deformed.

# FRONT DOOR COMPONENTS

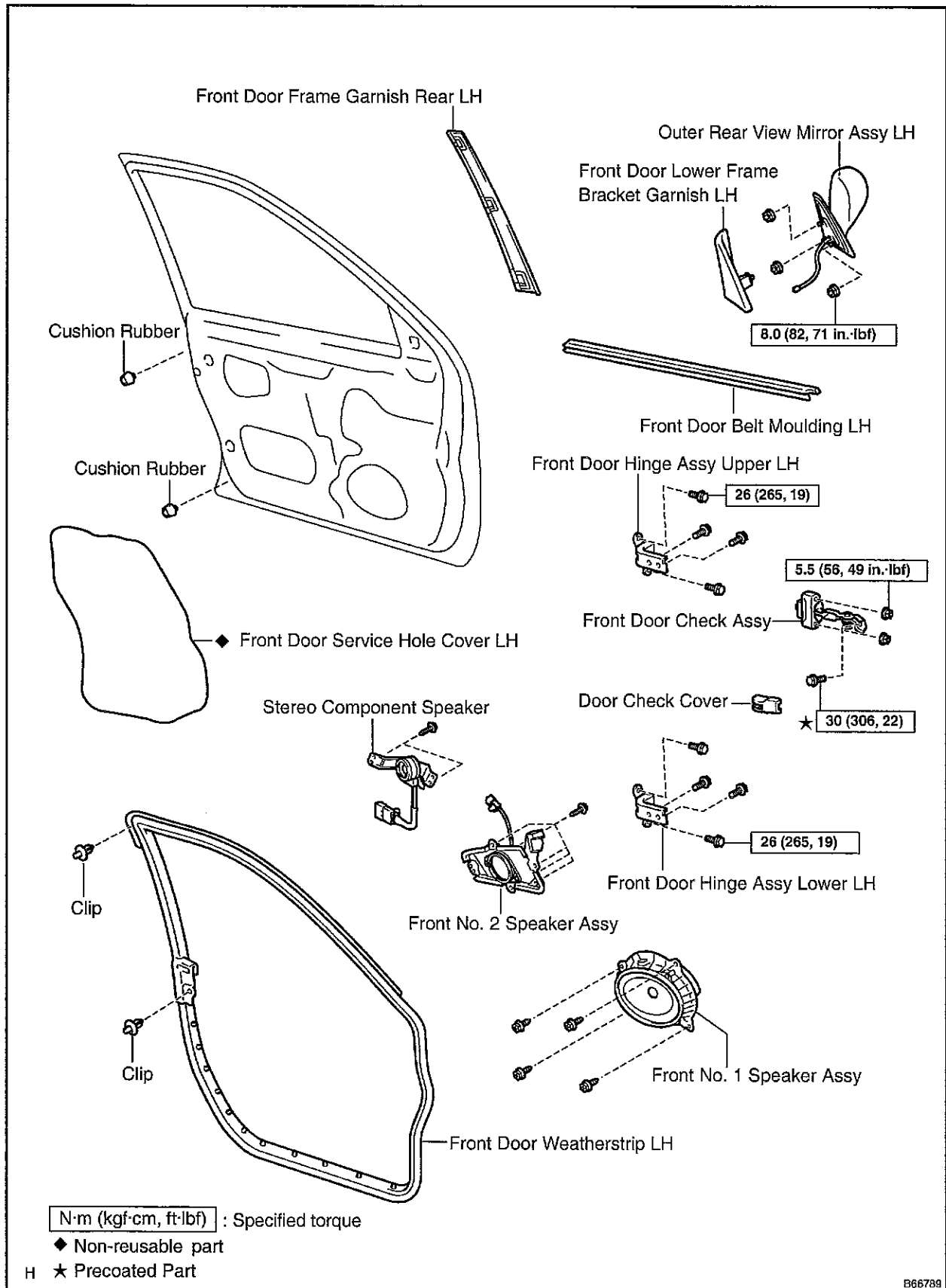
750.W-01



H

B66091

ENGINE HOOD/DOOR - FRONT DOOR



B66789