

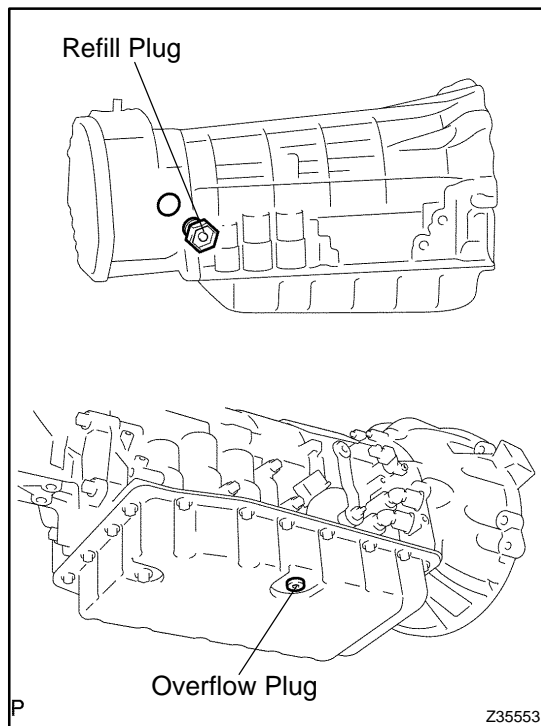
# AUTOMATIC TRANSMISSION FLUID (From August, 2003)

## ADJUSTMENT

4017G-01

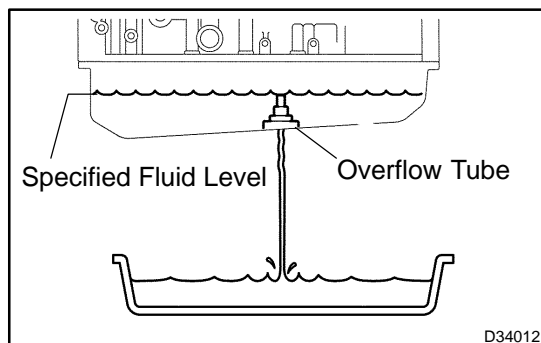
### 1. BEFORE TRANSMISSION FILL

- This transmission requires Toyota Genuine ATF WS.
- It is necessary to refill the transmission with the correct amount of fluid.
- The vehicle must remain level while adjusting the transmission fluid level.
- On vehicles equipped with active suspension, turn the suspension control switch OFF if it is necessary to jack up the vehicle with the engine running.



### 2. TRANSMISSION PAN FILL

- (a) Remove the refill plug and overflow plug.



- (b) Fill the transmission through the refill hole until fluid begins to trickle out of the overflow tube.
- (c) Reinstall the overflow plug.

**3. TRANSMISSION FILL**

- (a) Fill the transmission with the correct amount of fluid as listed in the table below.
- (b) Reinstall the refill plug to avoid fluid splash.

Repair	Fill Amount
Transmission pan and drain plug removal	1.3 L (1.37 US qts, 1.14 Imp qts)
Transmission valve body removal	3.9 L (4.12 US qts, 3.43 Imp qts)
Torque converter removal	5.3 L (5.60 US qts, 4.66 Imp qts)
Entire transmission assembly	5.3 L (5.60 US qts, 4.66 Imp qts)

**HINT:**

If you cannot add the listed amount of fluid, do the following:

- Install the refill plug.
- Allow the engine to idle with the air conditioning OFF.
- Move the shift lever through entire gear range to circulate fluid.
- Wait for 30 seconds with the engine idling.
- Stop the engine.
- Remove the refill plug and add fluid.
- Reinstall the refill plug.

**4. FLUID CIRCULATION**

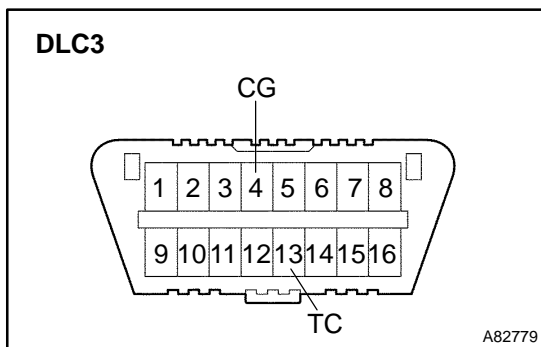
- (a) Allow the engine to idle with the air conditioning OFF.
- (b) Move the shift lever through entire gear range to circulate fluid.

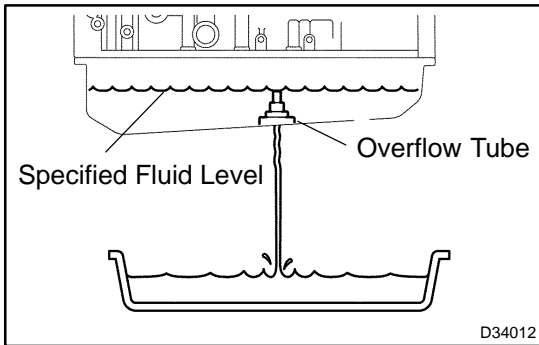
**5. FLUID TEMPERATURE CHECK**

**NOTICE:**

**The fluid temperature should be less than 30°C (86°F) before beginning the fluid temperature check.**

- (a) With hand-held tester
    - (1) Connect the hand-held tester to the DLC3.
    - (2) Select the tester menus: OBD/MOBD, ENGINE, DATA LIST and A/T.
    - (3) Check A/T OIL TEMP.
    - (4) Allow the engine to idle until the fluid temperature reaches 46°C (115°F).
  - (b) Without hand-held tester (Using A/T OIL TEMP indicator)
    - (1) Connect terminals between CG (4) and TC (13) of the DLC3 using SST.
- SST 09843-18040
- (2) Move the shift lever back and forth between N and D every 1.5 seconds for six seconds.
  - (3) The D shift indicator on the combination meter comes on for two seconds. This indicates that the fluid temperature check mode has been started.
  - (4) The D shift indicator will come on again when the fluid temperature reaches 46°C (115°F) and will blink when it exceeds 56°C (130°F).
  - (5) Allow the engine to idle until the fluid temperature reaches 46°C (115°F).





## 6. FLUID LEVEL CHECK

### NOTICE:

The fluid temperature must be between 46°C (115°F) and 56°C (130°F) to accurately check the fluid level.

- (a) Remove the overflow plug with the engine idling.
- (b) Check that the fluid comes out of the overflow tube.

If fluid does not come out, proceed to step 7.

If fluid comes out, wait until the overflow slows to a trickle and proceed to step 8.

## 7. TRANSMISSION REFILL

- (a) Install the overflow plug.
- (b) Stop the engine.
- (c) Remove the refill plug.
- (d) Add 0.4 liters (0.42 US qts, 0.35 Imp qts) of fluid.
- (e) Allow the engine to idle and wait for 10 seconds.
- (f) Proceed to step 6.

## 8. COMPLETE

- (a) Install the overflow plug with a new gasket.  
**Torque: 20 N·m (205 kgf·cm, 15 ft·lbf)**
- (b) Stop the engine.
- (c) Install the refill plug with a new gasket.  
**Torque: 39 N·m (400 kgf·cm, 29 ft·lbf)**

- MEMO-

**-MEMO-**

**-MEMO-**

**-MEMO-**

**-MEMO-**