

**Part Number: PT278-60091**

**Kit Contents**

Item #	Quantity Reqd.	Description
1	1	Front Crossbar Assy
2	1	Rear Crossbar Assy
3	1	Torque Tool and Care Card
4	1	Hardware Bag

**Hardware Bag Contents**

Item #	Quantity Reqd.	Description
1	2	Forward Label
2	2	Rearward Label
3		

**Additional Contents**

Item #	Quantity Reqd.	Description
1		

**Conflicts**

--

**Recommended Tools**

<b>Personal &amp; Vehicle Protection</b>	<b>Notes</b>
Safety Goggles	
Vehicle Protection	
Wrist & Belt Buckle Protectors	
<b>Special Tools</b>	<b>Notes</b>
<b>Installation Tools</b>	<b>Notes</b>
Torque Tool (included)	
Tape Measure	
<b>Special Chemicals</b>	<b>Notes</b>

**NOTE:** Part number of this accessory may not be the same as the part number shown.

**General Applicability**

All models with side rails installed
--------------------------------------

**Recommended Sequence of Application**






Item #	Accessory
1	

\*Mandatory

**Vehicle Service Parts** (may be required for reassembly)

Item #	Quantity Reqd.	Description
1		
2		
3		
4		
5		
6		

**Legend**

	<b>STOP:</b> Damage to the vehicle may occur. Do not proceed until process has been complied with.
	<b>OPERATOR SAFETY:</b> Use caution to avoid risk of injury.
	<b>CAUTION:</b> A process that must be carefully observed in order to reduce the risk of damage to the accessory/vehicle and to ensure a quality installation.
	<b>TOOLS &amp; EQUIPMENT:</b> Used in Figures calls out the specific tools and equipment recommended for this process.
	<b>SAFETY TORQUE:</b> This mark indicates that torque is related to safety.

## Section II – Installation Procedure

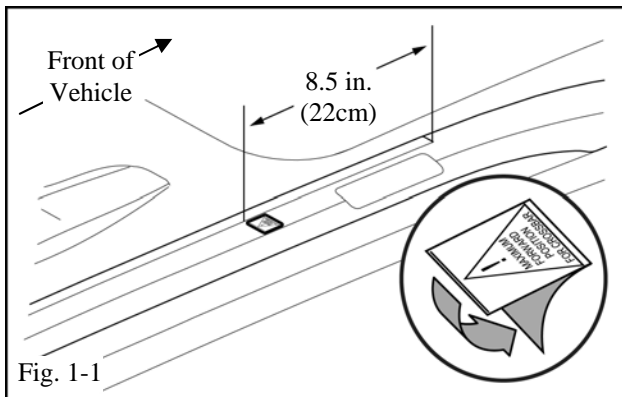
Care must be taken when installing this accessory to ensure damage does not occur to the vehicle. The installation of this accessory should follow approved guidelines to ensure a quality installation.

These guidelines can be found in the "Accessory Installation Practices" document.

This document covers such items as:-

- Vehicle Protection (use of covers and blankets, cleaning chemicals, etc.).
- Safety (eye protection, rechecking torque procedure, etc.).
- Vehicle Disassembly/Reassembly (panel removal, part storage, etc.).
- Electrical Component Disassembly/Reassembly (battery disconnection, connector removal, etc.).

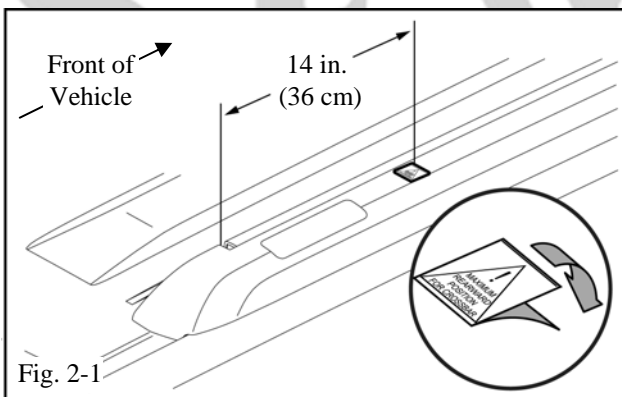
Please see your dealer for a copy of this document.



**1. Affix front crossbar ‘forward limit’ warning labels to side rails.**



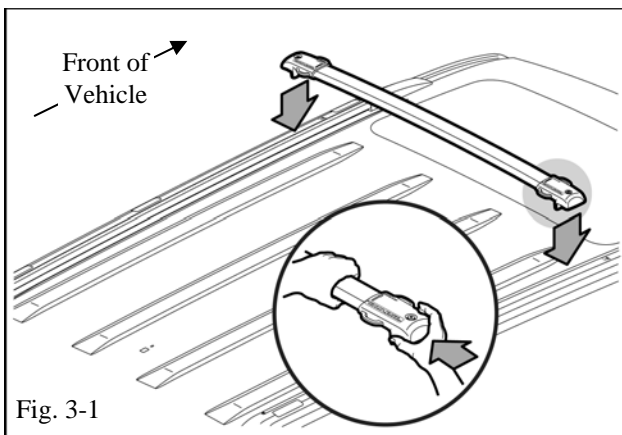
- Using a ruler, measure 8.5 in. (22cm) back from front of side rail bracket.
- Remove adhesive backing from label and position so that the triangle on the label is pointing to the rear of the vehicle. Line on rail bracket. (2 places) (Fig. 1-1)



**2. Affix rear crossbar ‘rearward limit’ warning labels to side rails.**

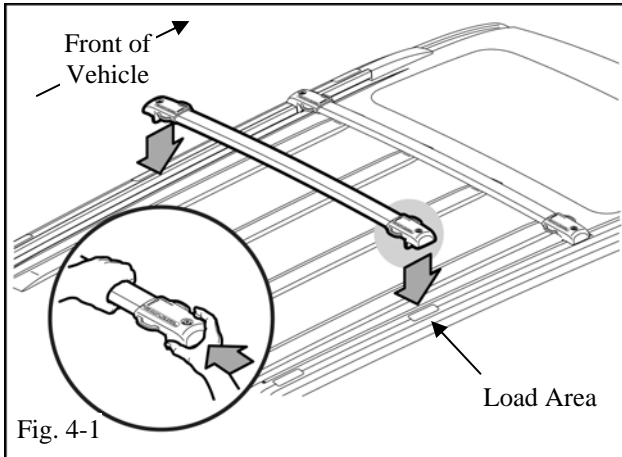


- Using a ruler, measure 14 in. (36cm) forward from rear of side rail bracket.
- Remove adhesive backing from label and position so that the triangle on the label is pointing to the front of the vehicle. Line on label should be 14 in. (36cm) from rear of rail bracket. (2 places) (Fig. 2-1)



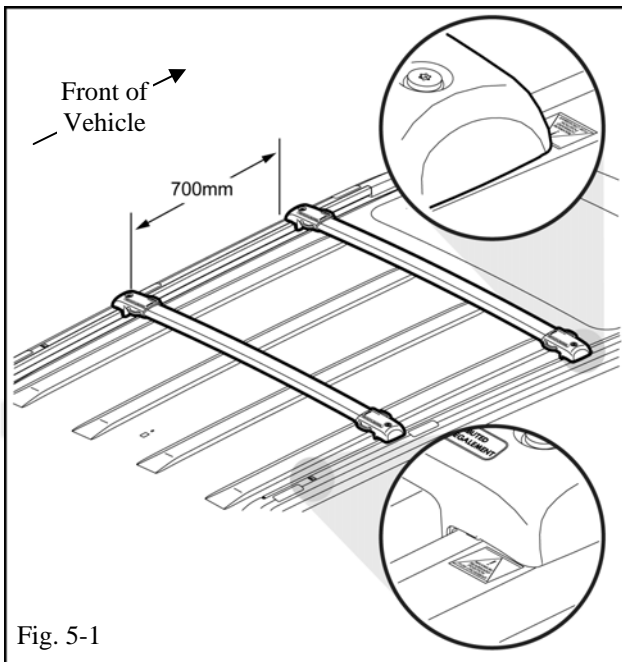
**3. Install Front Crossbar (Fig. 3-1)**

- Load front crossbar near the front of side rail.
- Make sure arrows on crossbar end supports are pointing toward the front of the vehicle.
- Lower LH arm of crossbar onto side rail.
- Compress spring-loaded RH arm and lower onto side rail.
- Carefully slide the front bar near desired position.



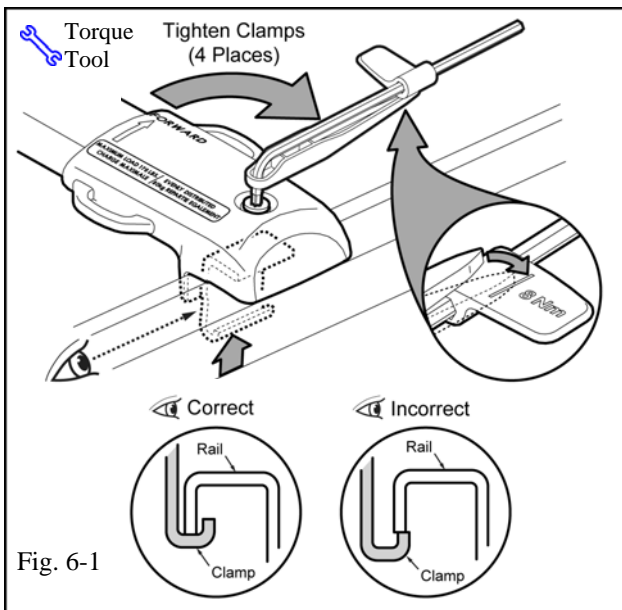
**4. Install Rear Crossbar (Fig. 4-1)**

- (a) Load rear crossbar near center rail cap as shown
- (b) Make sure arrows on crossbar end supports are pointing toward the front of the vehicle.
- (c) Lower LH arm of crossbar onto side rail.
- (d) Compress spring-loaded RH arm and lower onto side rail.
- (e) Carefully slide the rear bar near desired position.



**5. Position Crossbars (Fig. 5-1)**

- ⚠ (a) Position front and rear crossbars by sliding fore/aft on the side rail. Make sure rails are parallel.
- ⚠ **NOTE: DO NOT POSITION FRONT CROSSBAR ON OR FORWARD OF WARNING LABEL.**
- ⚠ **NOTE: DO NOT POSITION REAR CROSSBAR ON OR REARWARD OF WARNING LABEL.**



**6. Secure Crossbars**

- ⚠ (a) Once crossbars are in correct position, use torque tool to tighten (8 N.m) the clamps onto the side rails. (Fig. 6-1)
- ⚠ **NOTE: Visually inspect to make sure the clamp is in the side rail.**
- ⚠ **NOTE: Verify clamps are secured to side rails by lifting up on crossbars.**
- ⚠ **NOTE: Do not exceed load limits as printed on crossbars.**

**7. Install Care Card**

- ⊘ (a) Place Crossbar Care Card and torque tool in the vehicle's glove box.

Checklist - these points **MUST** be checked to ensure a quality installation.

Check:

Look For:

Accessory Function Checks

- Ensure Crossbars are secure and in correct position.
- Crossbar Care Card and Torque Tool

Front crossbar should not be forward of warning label.

Inside of vehicle's glove box

Vehicle Function Checks

SEWELL