

Beat-Sonic Installation Instruction:

Product: NT6223 & BB6223

Car Model: 2014 Lexus GX460

1. PRECAUTION

NOTICE:

After turning the engine switch is turned off, waiting time may be required before disconnecting the cable from the battery terminal. Therefore, make sure to read the disconnecting the cable from the battery terminal notice before proceeding with work.

2. DISCONNECT CABLE FROM NEGATIVE BATTERY TERMINAL

NOTICE: When disconnecting the cable, some systems need to be initialized after the cable is reconnected

NOTICE:

- w/ Navigation System:

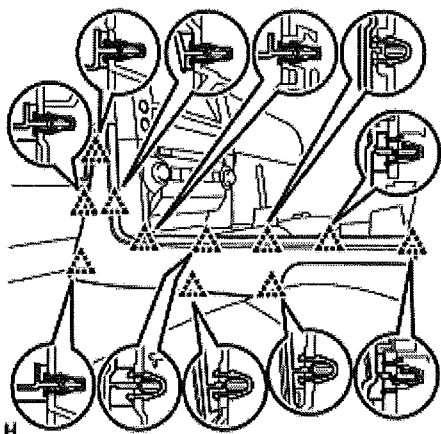
After the engine switch is turned off, the display and navigation module display (navigation system) records various types of memory and settings. As a result, after turning the engine switch off, be sure to wait for the time specified in the following table before disconnecting the cable from the negative (-) battery terminal.

Waiting Time before Disconnecting Cable from Negative (-) Battery Terminal:

Condition	Waiting Time
Vehicle enrolled in safety connect system	6 minutes
Vehicle not enrolled in safety connect system	1 minute

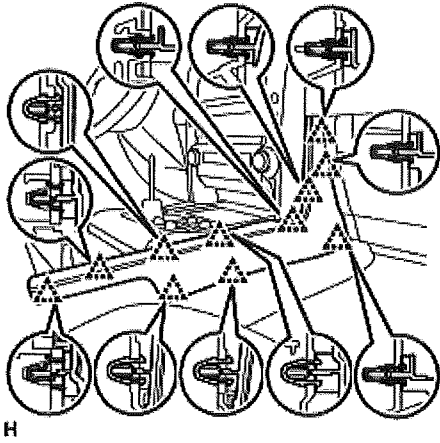
3. REMOVE INSTRUMENT PANEL FINISH PANEL END LH.

(a) Detach the 11 clips and remove the instrument panel finish panel end LH.



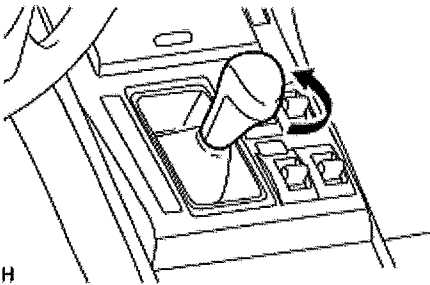
4. REMOVE INSTRUMENT PANEL FINISH PANEL END RH.

- (a) Detach the 11 clips and remove the instrument panel finish panel end RH.

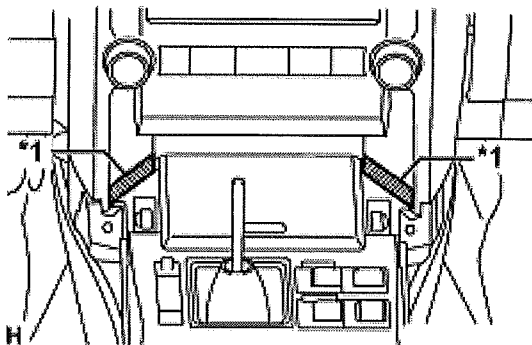


5. REMOVE SHIFT LEVER KNOB SUB-ASSEMBLY.

- (a) Twist the shift lever knob sub-assembly in the direction indicated by the arrow and remove it.



6. REMOVE UPPER CONSOLE PANEL SUB-ASSEMBLY.



- (a) Put protective tape around the upper console panel sub-assembly.

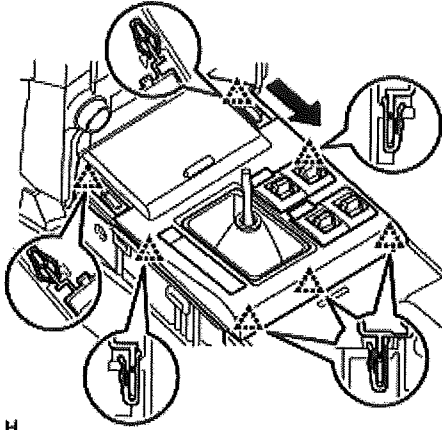
Text in Illustration

*1	Protective Tape
----	-----------------

(b) Detach the 7 clips.

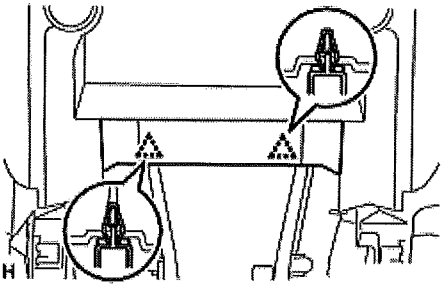
(c) Move the upper console panel sub-assembly in the direction of the arrow to remove it.

(d) Disconnect each connector.



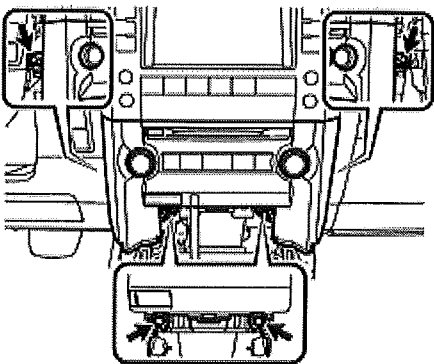
7. REMOVE FRONT UPPER CONSOLE PANEL GARNISH.

(a) Detach the 2 clips and remove the front upper console panel garnish.

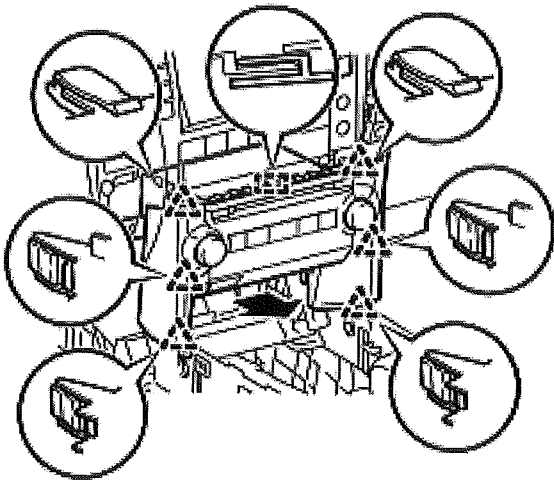


8. REMOVE MULTI-MEDIA MODULE RECEIVER ASSEMBLY.

(a) Remove the 4 bolts.



(b) Pull the multi-media module receiver assembly to detach the 6 clips and guide on the backside of the multi-media module receiver assembly.



0

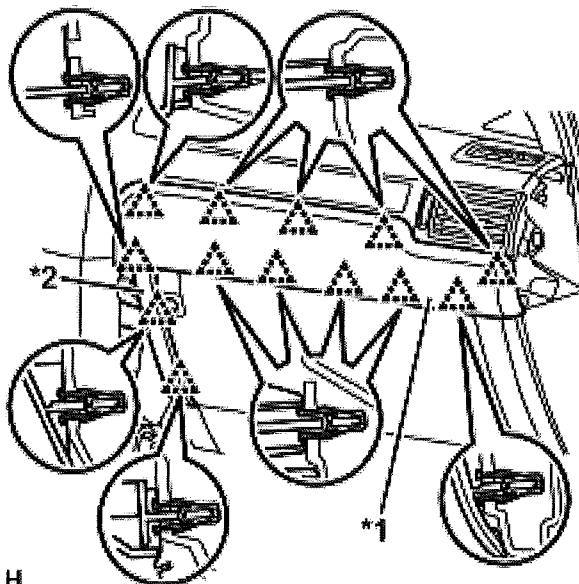
(c) Disconnect each connector and remove the multi-media module receiver assembly.

9. REMOVE CENTER INSTRUMENT CLUSTER FINISH PANEL GARNISH.

(a) Detach the 13 clips and remove the center instrument cluster finish panel garnish together with the instrument cluster finish panel garnish.

Text in Illustration

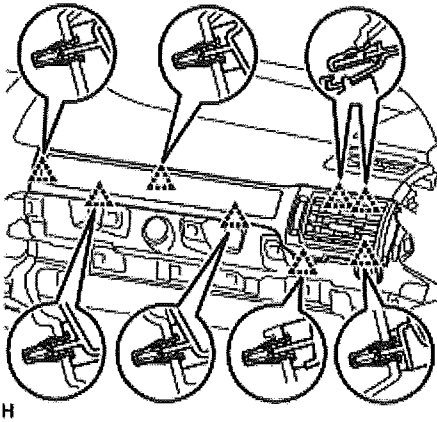
*1	Center Instrument Cluster Finish Panel Garnish
*2	Instrument Cluster Finish Panel Garnish



H

10. REMOVE NO. 2 INSTRUMENT PANEL REGISTER ASSEMBLY.

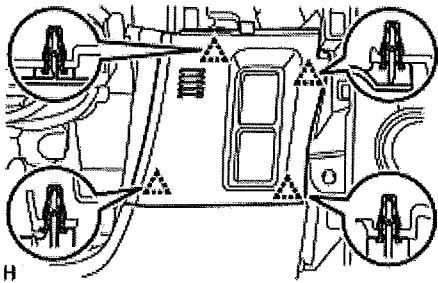
(a) Detach the 8 clips and remove the No. 2 instrument panel register assembly.



11. REMOVE LOWER INSTRUMENT PANEL FINISH PANEL ASSEMBLY.

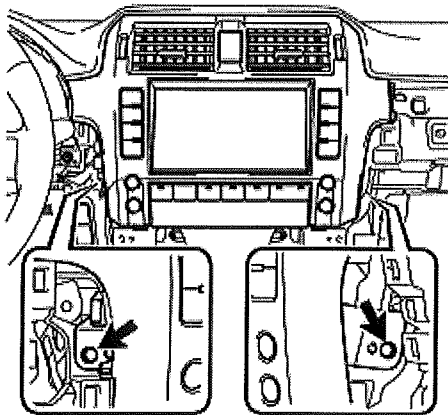
(a) Detach the 4 clips and remove the instrument panel finish panel assembly.

(b) Disconnect each connector and cooler thermistor.

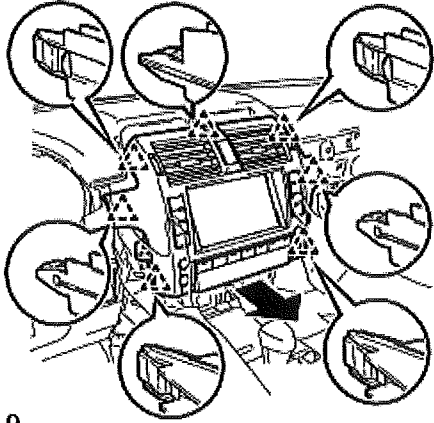


12. REMOVE MULTI-DISPLAY ASSEMBLY.

(a) Remove the 2 bolts.



(b) Pull the multi-display assembly to detach the 7 clips on the backside of the multi-display assembly.

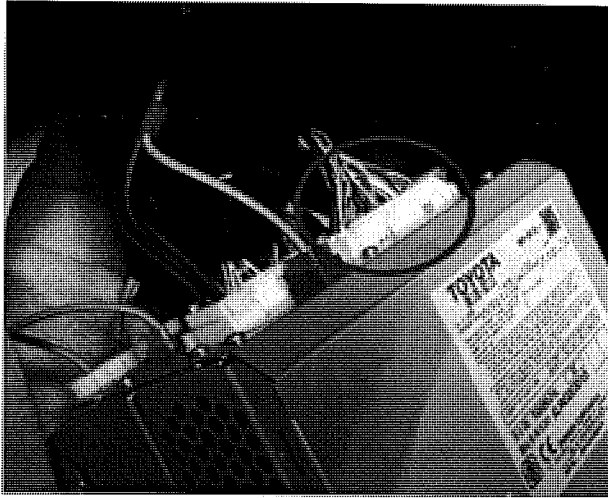


0

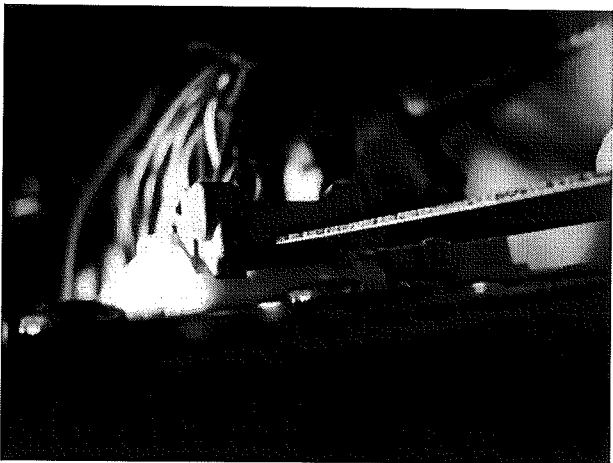
(c) Disconnect each connector and remove the multi-display assembly.

13. Removing the connector.

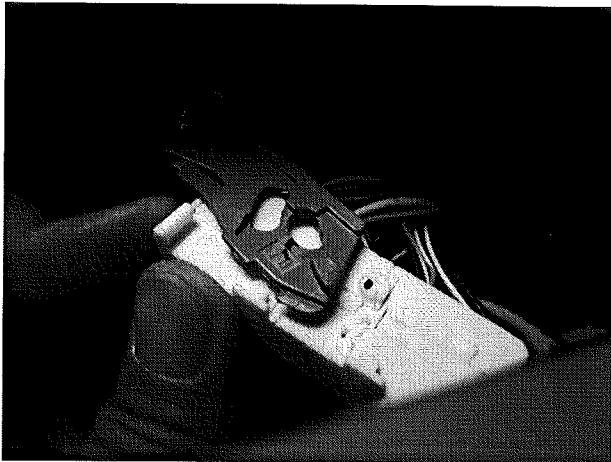
(a) The connector circled in red is what you will be working on.



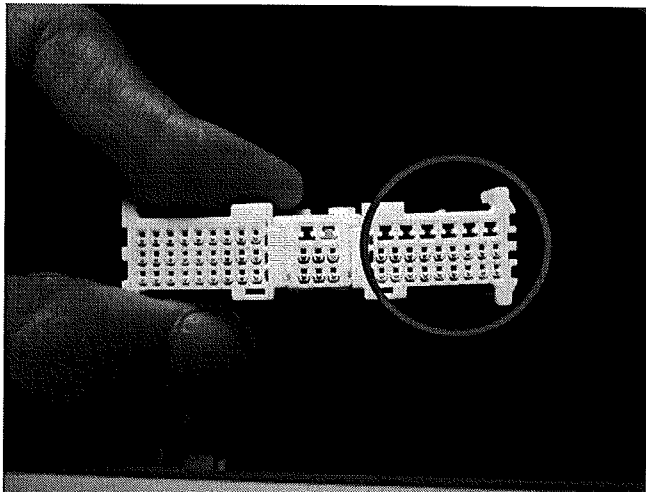
(b) Take a flat head screw driver to release the clip on the right side of the connector. Then pull the connector out.



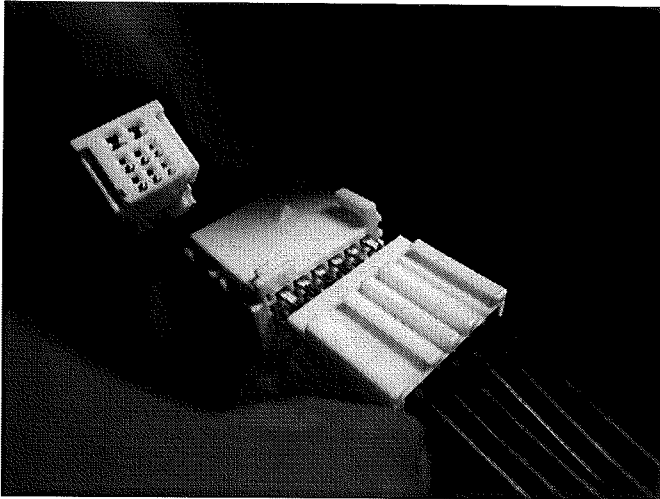
(c) Carefully remove the gray bracket, which is being used to keep the three connectors together.



(d) After the gray bracket is removed, the connector should look like this. The right side of the connector is what you need to disconnect from the main connector.



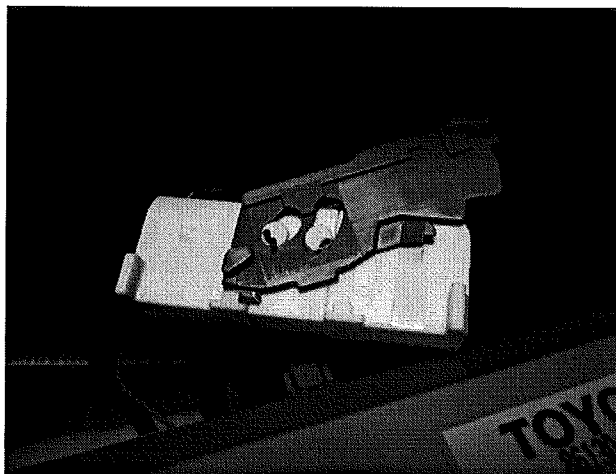
(e) Connect the male side of the BB6223 (or NT6223) connector to the female connector which was disconnected from the previous step. Make sure the connection is secure and that none of the pins are exposed on the side.



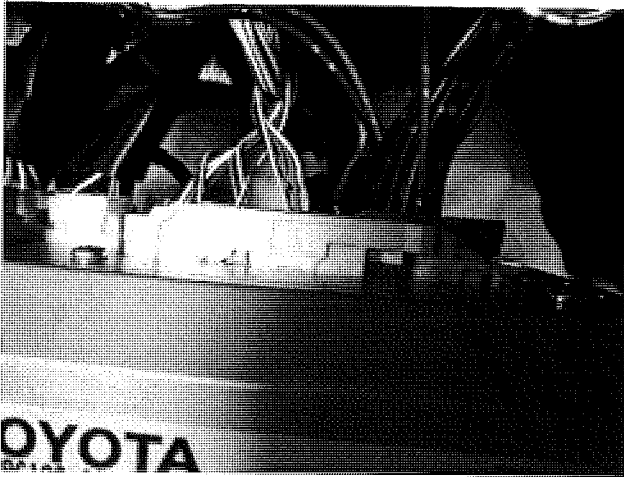
(f) Using the supplied urethane insulation tape, tear off a size to cover the 2, 24 pin connectors that are mated to each other as shown below.



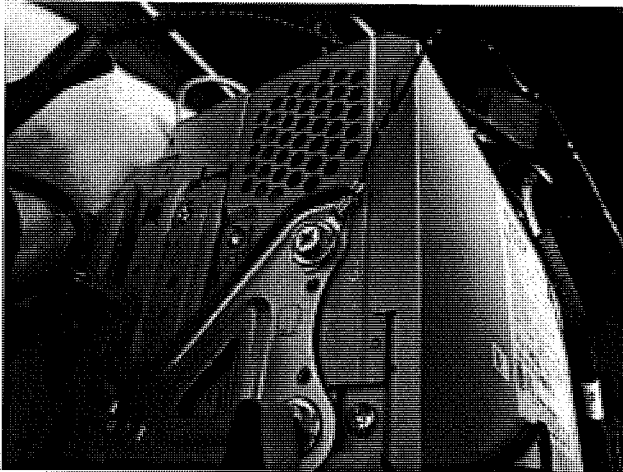
(g) Take the female side of the BB6223 (or NT6223) connector and link it back to the main connector, then mount the gray bracket back to the main connector.



(h) Once the main connector is in one piece with the gray bracket, insert it back to behind the oem head unit.



(i) We picked the side of the radio to ground the wire.



(j) Route the push button switch wire to the side of the radio to your desired location. We chose to place it right under the parking brake lever.

TEST THE UNIT AND REVERSE PROCESS: Test the unit to make sure it is working well. Then, perform the above steps in reverse to put everything back to normal and you are done!