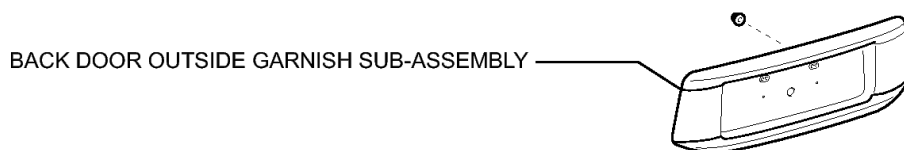
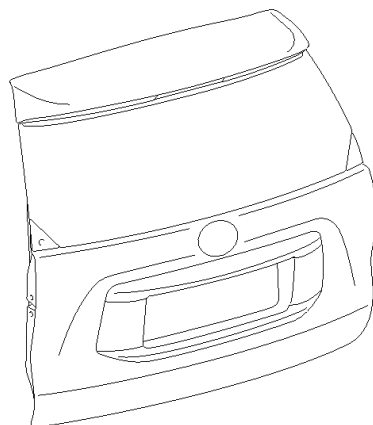
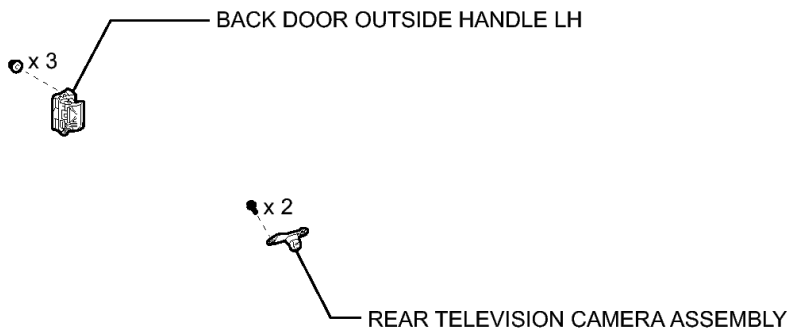
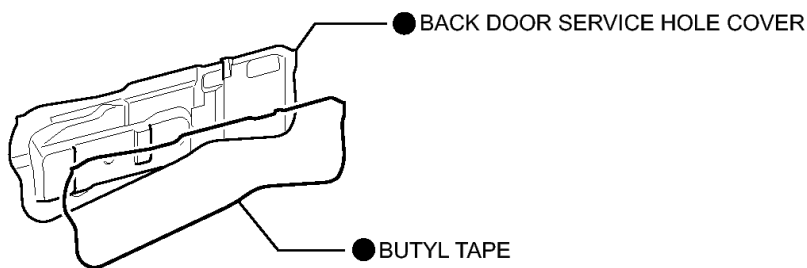


H

**Fig. 134: Identifying Back Door Outside Garnish Replacement Components (1 Of 3)**

Courtesy of TOYOTA MOTOR SALES, U.S.A., INC.

ILLUSTRATION



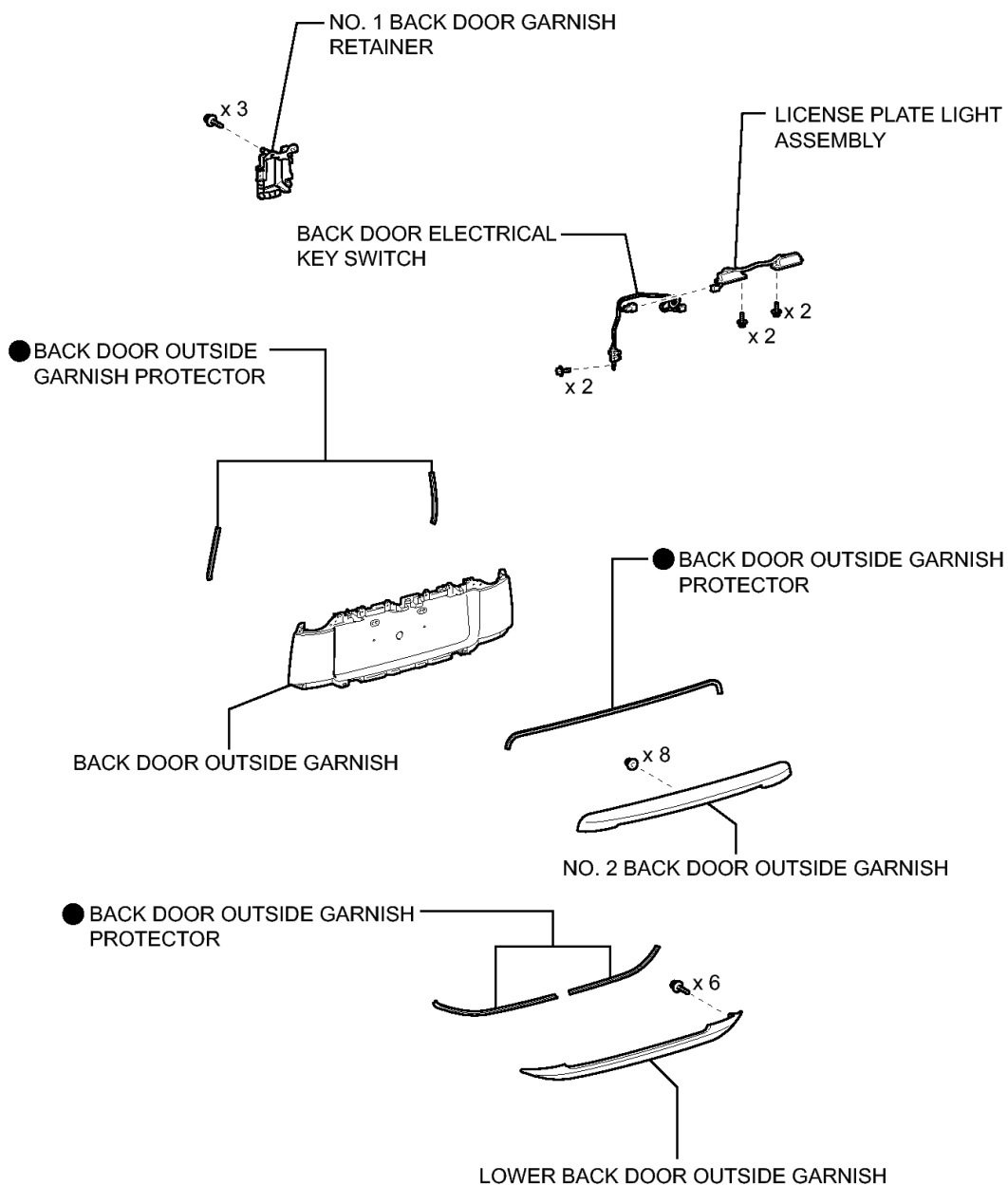
● Non-reusable part

H

**Fig. 135: Identifying Back Door Outside Garnish Replacement Components (2 Of 3)**

Courtesy of TOYOTA MOTOR SALES, U.S.A., INC.

ILLUSTRATION



● Non-reusable part

H

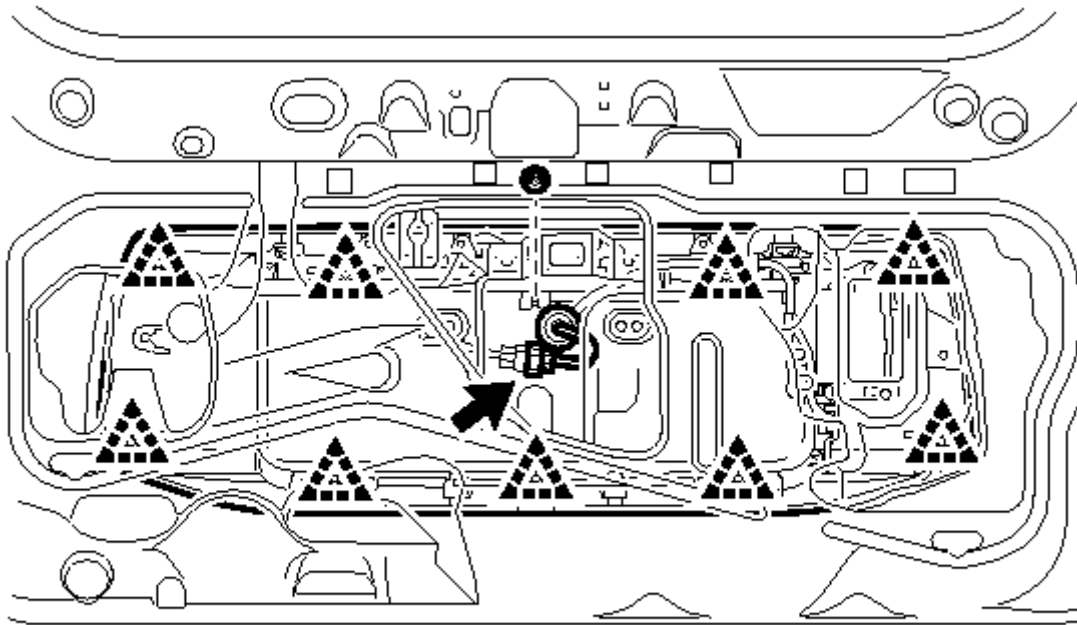
**Fig. 136: Identifying Back Door Outside Garnish Replacement Components (3 Of 3)**

Courtesy of TOYOTA MOTOR SALES, U.S.A., INC.

REMOVAL [08/2013 - ]

REMOVAL [08/2013 - ]

1. **REMOVE BACK DOOR CENTER GARNISH** . Refer to **DISASSEMBLY [08/2013 - ] - Step 1**
2. **REMOVE BACK DOOR SIDE GARNISH LH** . Refer to **DISASSEMBLY [08/2013 - ] - Step 2**
3. **REMOVE BACK DOOR SIDE GARNISH RH** . Refer to **DISASSEMBLY [08/2013 - ] - Step 3**
4. **REMOVE BACK DOOR TRIM COVER** . Refer to **DISASSEMBLY [08/2013 - ] - Step 4**
5. **REMOVE UPPER TOOL BOX PANEL SUB-ASSEMBLY** . Refer to **DISASSEMBLY [08/2013 - ] - Step 5**
6. **REMOVE TOOL CASE** . Refer to **DISASSEMBLY [08/2013 - ] - Step 6**
7. **REMOVE BACK DOOR LOCK COVER** . Refer to **DISASSEMBLY [08/2013 - ] - Step 7**
8. **REMOVE BACK DOOR TRIM PANEL ASSEMBLY** . Refer to **DISASSEMBLY [08/2013 - ] - Step 8**
9. **REMOVE BACK DOOR SERVICE HOLE COVER** . Refer to **DISASSEMBLY [08/2013 - ] - Step 10**
10. **REMOVE BACK DOOR OUTSIDE HANDLE LH** . Refer to **DISASSEMBLY [08/2013 - ] - Step 13**
11. **REMOVE REAR TELEVISION CAMERA ASSEMBLY** . Refer to **REMOVAL [08/2013 - ] - Step 10**
12. **REMOVE BACK DOOR OUTSIDE GARNISH SUB-ASSEMBLY**



H \_\_\_\_\_

**Fig. 137: Identifying Back Door Outside Garnish Connector, Nut & Clips**

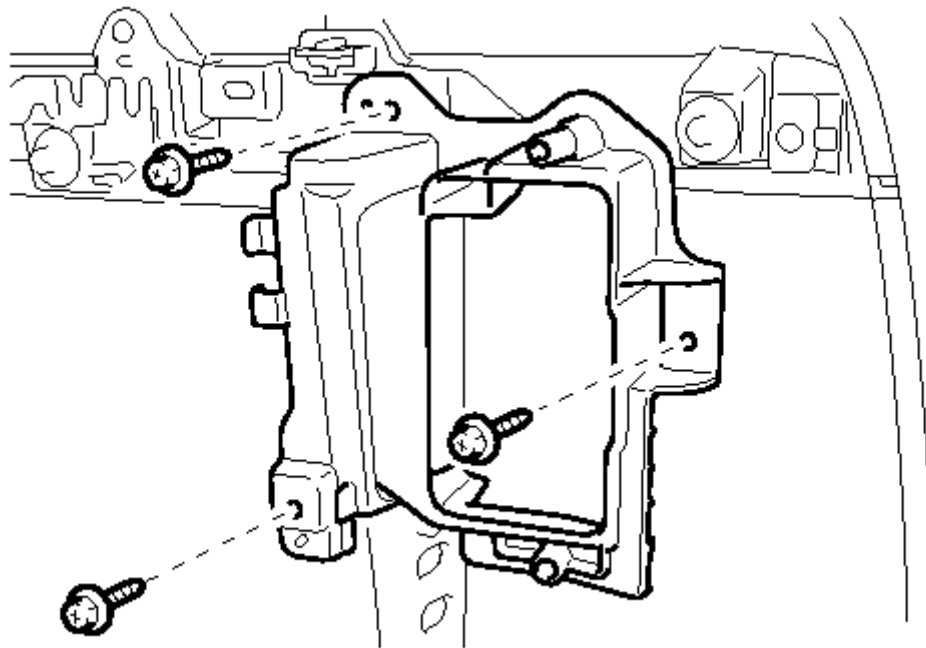
Courtesy of TOYOTA MOTOR SALES, U.S.A., INC.

- a. Disconnect the connector and remove the nut.
- b. Detach the 9 clips and remove the back door outside garnish.

DISASSEMBLY [08/2013 - ]

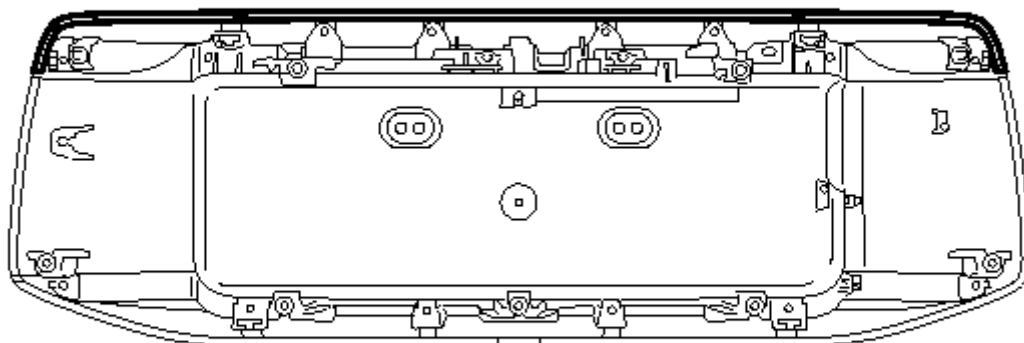
DISASSEMBLY [08/2013 - ]

1. **REMOVE BACK DOOR ELECTRICAL KEY SWITCH** . Refer to **REMOVAL [08/2013 - ] - Step 12**
2. **REMOVE LICENSE PLATE LIGHT ASSEMBLY** . Refer to **REMOVAL [08/2013 - ] - Step 2**
3. **REMOVE NO. 1 BACK DOOR GARNISH RETAINER**



**Fig. 138: Identifying No. 1 Back Door Garnish Retainer Screws**  
Courtesy of TOYOTA MOTOR SALES, U.S.A., INC.

- a. Remove the 3 screws and No. 1 back door garnish retainer.
- 4. REMOVE BACK DOOR OUTSIDE GARNISH PROTECTOR**
- a. For upper side:



**Fig. 139: Identifying Back Door Outside Garnish Protector (Upper**

**Side)**

**Courtesy of TOYOTA MOTOR SALES, U.S.A., INC.**

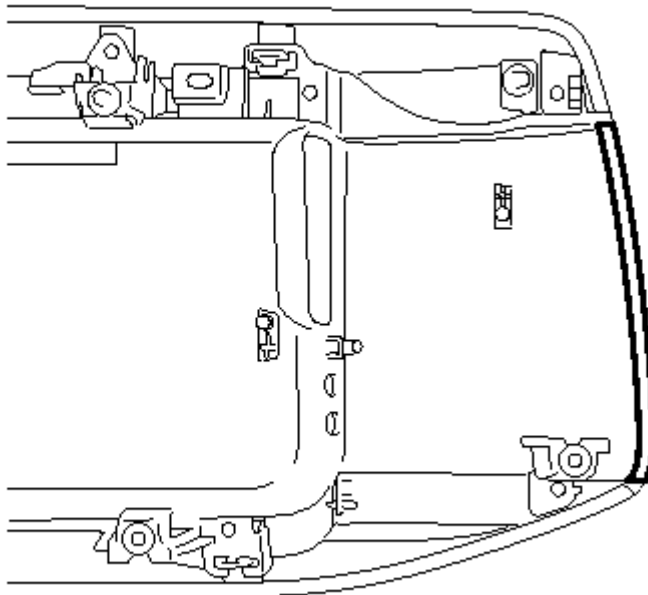
Remove the back door outside garnish protector.

- b. For left and right side:

Remove the back door outside garnish protector.

**HINT:**

Use the same procedure for both back door outside garnish protectors.



**H**

**Fig. 140: Identifying Back Door Outside Garnish Protector (Left & Right Side)**

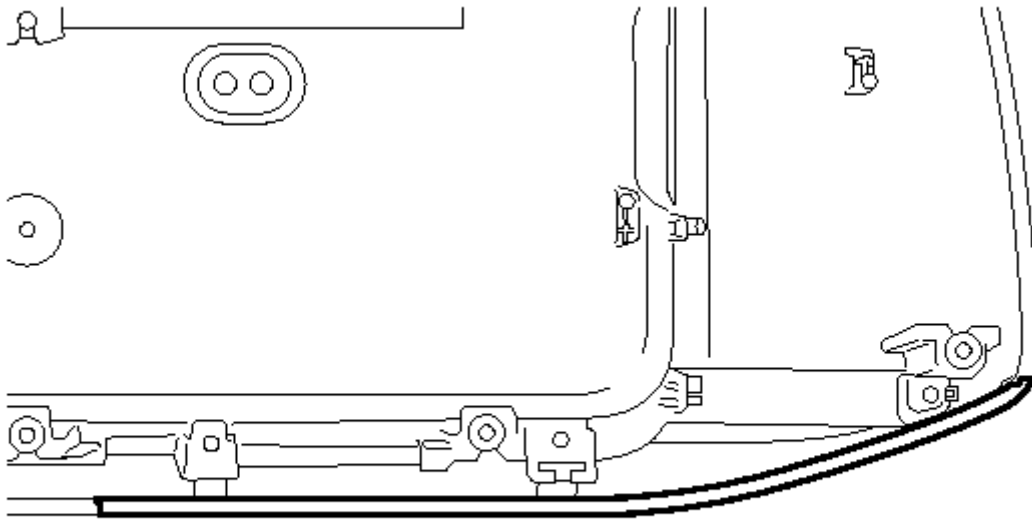
**Courtesy of TOYOTA MOTOR SALES, U.S.A., INC.**

- c. For lower side:

Remove the back door outside garnish protector.

**HINT:**

Use the same procedure for both back door outside garnish protectors.



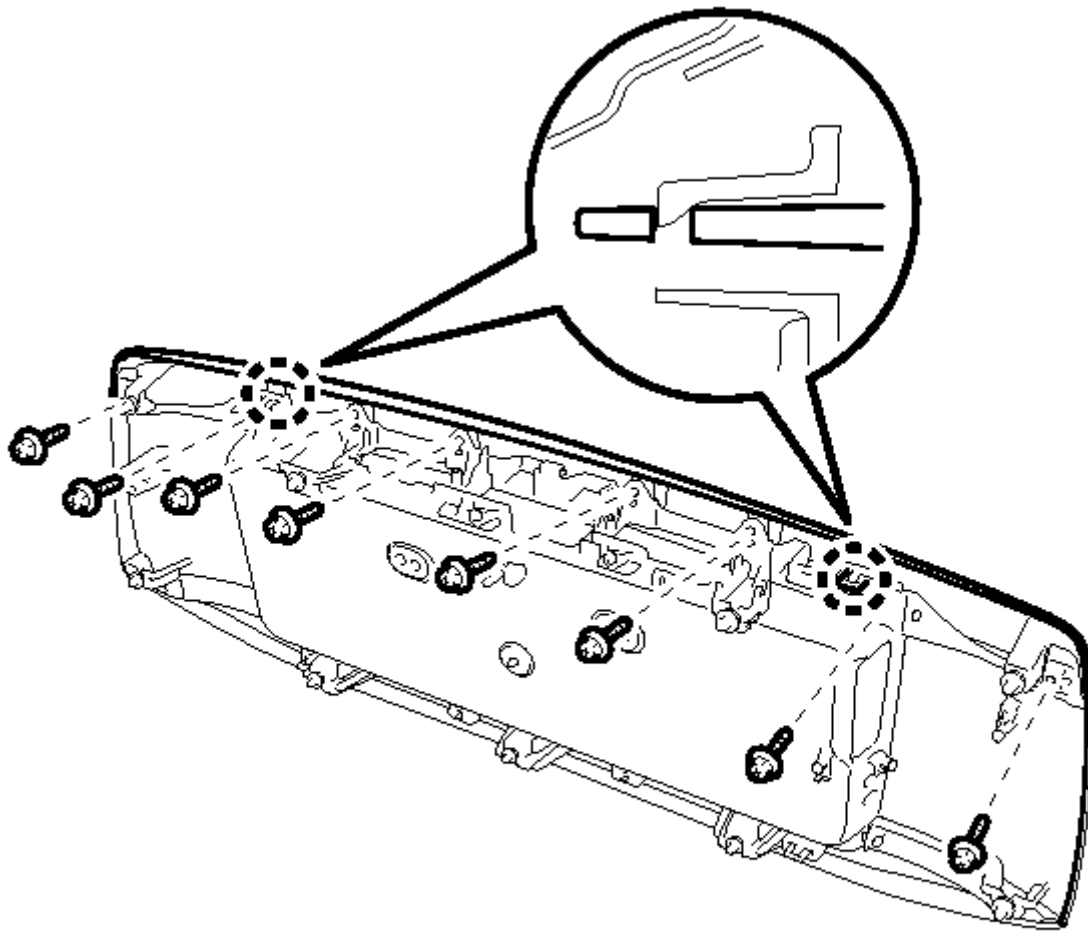
**H**

**Fig. 141: Identifying Back Door Outside Garnish Protector (Lower Side)**

**Courtesy of TOYOTA MOTOR SALES, U.S.A., INC.**

**5. REMOVE NO. 2 BACK DOOR OUTSIDE GARNISH**



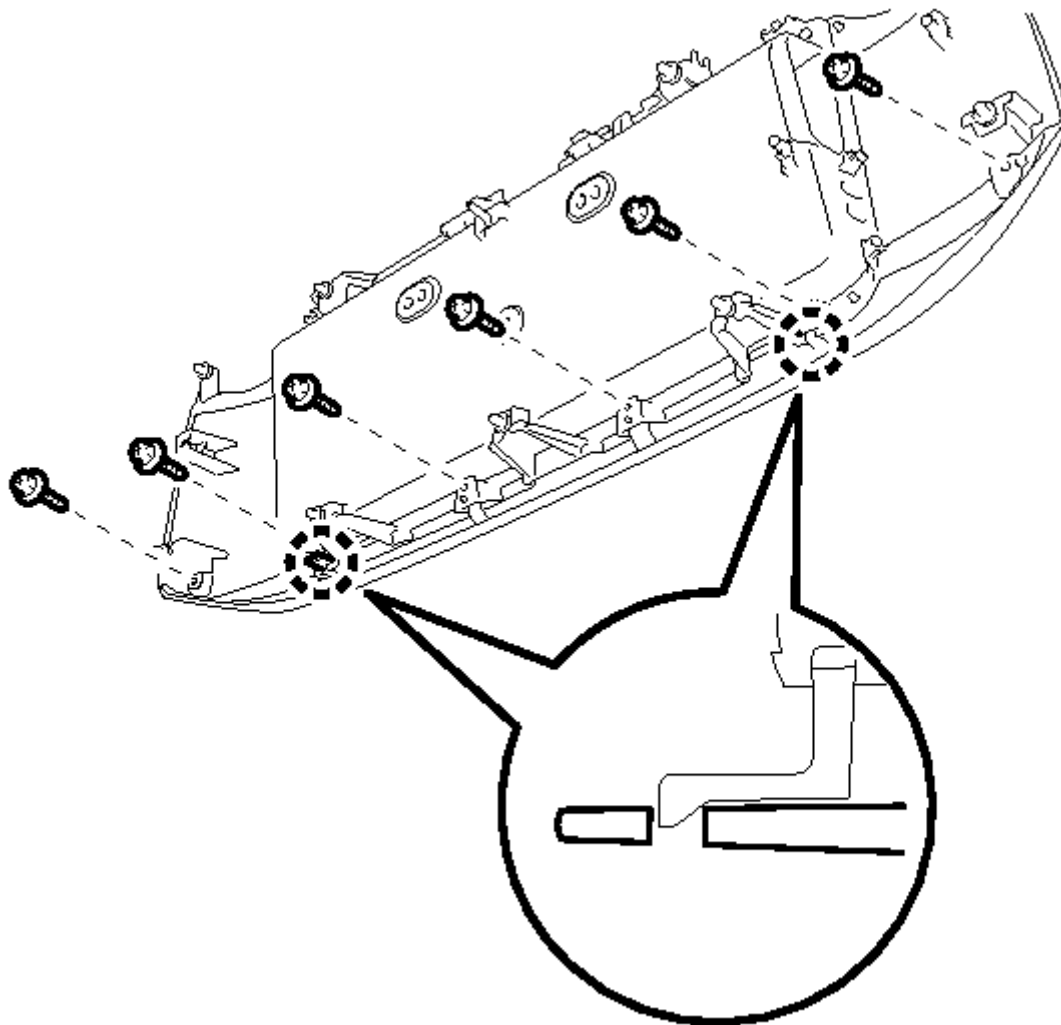


**H**

**Fig. 142: Identifying No. 2 Back Door Outside Garnish Screws & Claws**  
Courtesy of TOYOTA MOTOR SALES, U.S.A., INC.

- a. Remove the 8 screws.
- b. Detach the 2 claws and remove the No. 2 back door outside garnish.

**6. REMOVE LOWER BACK DOOR OUTSIDE GARNISH**



**H**

**Fig. 143: Identifying Lower Back Door Outside Garnish Screws & Claws**

**Courtesy of TOYOTA MOTOR SALES, U.S.A., INC.**

- a. Remove the 6 screws.
- b. Detach the 2 claws and remove the lower back door outside garnish.

**REASSEMBLY [08/2013 - ]**

**REASSEMBLY [08/2013 - ]**

**REASSEMBLY [08/2013 - ]**

**1. INSTALL LOWER BACK DOOR OUTSIDE GARNISH**

- a. Attach the 2 claws to install the lower back door outside garnish.
- b. Install the 6 screws.

**2. INSTALL NO. 2 BACK DOOR OUTSIDE GARNISH**

- a. Attach the 2 claws to install the No. 2 back door outside garnish.
- b. Install the 8 screws.

**3. INSTALL BACK DOOR OUTSIDE GARNISH PROTECTOR****HINT:**

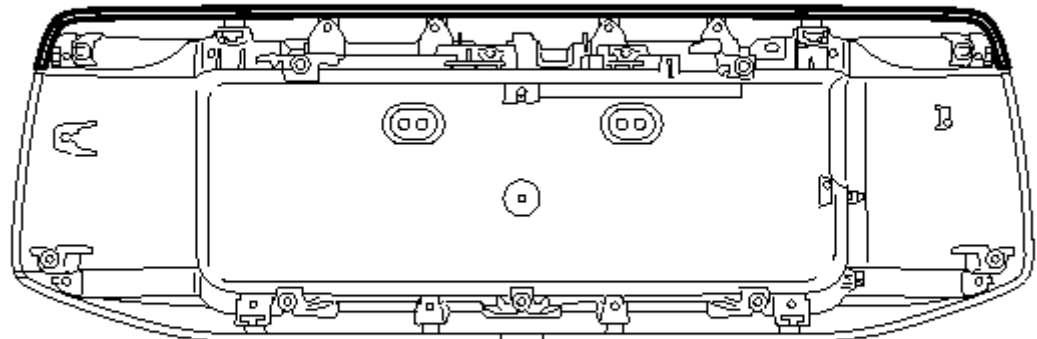
When installing the back door outside garnish protector, heat the back door outside garnish sub-assembly surface using a heat light.

Standard

Item	Temperature
Back Door Outside Garnish Sub-assembly	20 to 30°C (68 to 86°F)

**NOTE: Do not heat the back door outside garnish sub-assembly excessively.**

- a. For upper side:
  1. Clean the back door outside garnish sub-assembly surface.
    - a. Using a heat light, heat the back door outside garnish sub-assembly surface.
    - b. Remove the double-sided tape from the back door outside garnish sub-assembly surface.
    - c. Wipe off any tape adhesive residue with cleaner.
  2. Install a new back door outside garnish protector.



## H

### **Fig. 144: Identifying Back Door Outside Garnish Protector (Upper Side)**

Courtesy of TOYOTA MOTOR SALES, U.S.A., INC.

- a. Remove the peeling paper from the face of a new back door outside garnish protector.

#### **HINT:**

After removing the peeling paper, keep the exposed adhesive free from foreign matter.

- b. Install the back door outside garnish protector as shown in the illustration.

#### **HINT:**

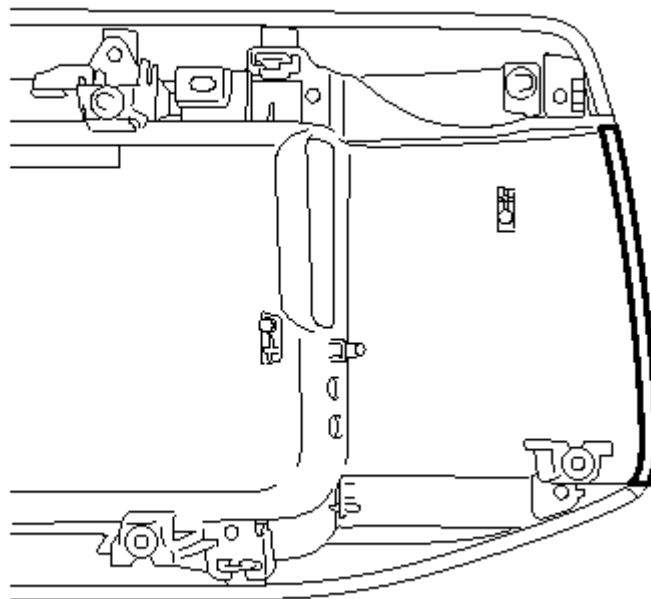
Press the back door outside garnish protector firmly to install it.

- b. For left and right side:

#### **HINT:**

Use the same procedure for both back door outside garnish protectors.

1. Clean the back door outside garnish sub-assembly surface.
  - a. Using a heat light, heat the back door outside garnish sub-assembly surface.
  - b. Remove the double-sided tape from the back door outside garnish sub-assembly surface.
  - c. Wipe off any tape adhesive residue with cleaner.
2. Install a new back door outside garnish protector.



**H**

**Fig. 145: Identifying Back Door Outside Garnish Protector (Left & Right Side)**

**Courtesy of TOYOTA MOTOR SALES, U.S.A., INC.**

- a. Remove the peeling paper from the face of a new back door outside garnish protector.

**HINT:**

After removing the peeling paper, keep the exposed adhesive free from foreign matter.

- b. Install the back door outside garnish protector as shown in the illustration.

**HINT:**

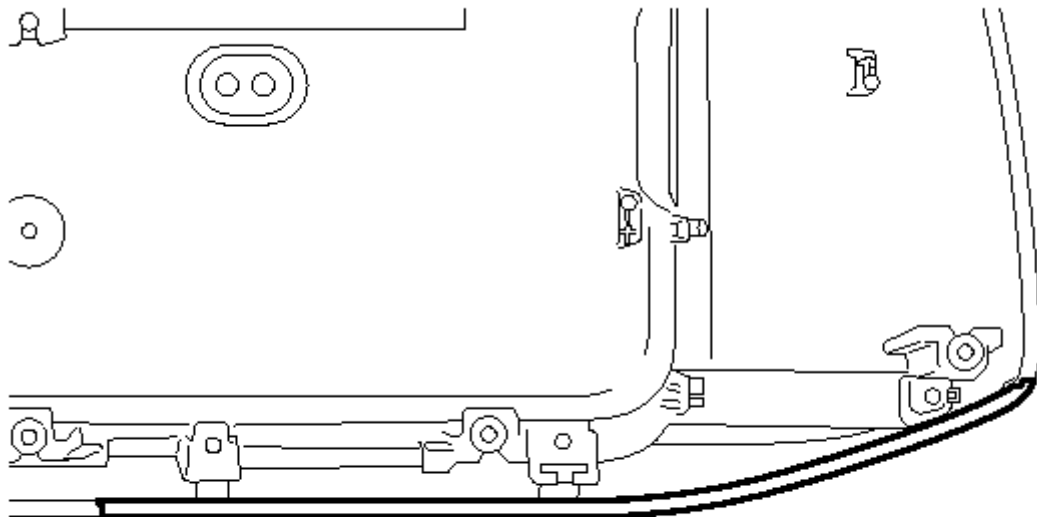
Press the back door outside garnish protector firmly to install it.

c. For lower side:

**HINT:**

Use the same procedure for both back door outside garnish protectors.

1. Clean the back door outside garnish sub-assembly surface.
  - a. Using a heat light, heat the back door outside garnish sub-assembly surface.
  - b. Remove the double-sided tape from the back door outside garnish sub-assembly surface.
  - c. Wipe off any tape adhesive residue with cleaner.
2. Install a new back door outside garnish protector.

**H**

**Fig. 146: Identifying Back Door Outside Garnish Protector (Lower Side)**

Courtesy of TOYOTA MOTOR SALES, U.S.A., INC.

- a. Using a heat light, heat a new back door outside garnish

protector and the back door outside garnish sub-assembly surface.

- b. Remove the peeling paper from the face of the back door outside garnish protector.

**HINT:**

After removing the peeling paper, keep the exposed adhesive free from foreign matter.

- c. Install the back door outside garnish protector as shown in the illustration.

**HINT:**

Press the back door outside garnish protector firmly to install it.

**4. INSTALL NO. 1 BACK DOOR GARNISH RETAINER**

- a. Install the No. 1 back door garnish retainer with the 3 screws.

**5. INSTALL LICENSE PLATE LIGHT ASSEMBLY . Refer to INSTALLATION [08/2013 - ] - Step 1**

**6. INSTALL BACK DOOR ELECTRICAL KEY SWITCH . Refer to INSTALLATION [08/2013 - ] - Step 1**

INSTALLATION [08/2013 - ]

INSTALLATION [08/2013 - ]

**1. INSTALL BACK DOOR OUTSIDE GARNISH SUB-ASSEMBLY**

- a. Attach the 9 clips to install the back door outside garnish.
- b. Install the nut.
- c. Connect the connector.

**2. INSTALL REAR TELEVISION CAMERA ASSEMBLY . Refer to INSTALLATION [08/2013 - ] - Step 1**

**3. INSTALL BACK DOOR OUTSIDE HANDLE LH . Refer to REASSEMBLY [08/2013 - ] - Step 31**

**4. INSTALL BACK DOOR SERVICE HOLE COVER . Refer to REASSEMBLY [08/2013 - ] - Step 34**

5. **INSTALL BACK DOOR TRIM PANEL ASSEMBLY** . Refer to **REASSEMBLY [08/2013 - ] - Step 36**
6. **INSTALL BACK DOOR LOCK COVER** . Refer to **REASSEMBLY [08/2013 - ] - Step 37**
7. **INSTALL TOOL CASE** . Refer to **REASSEMBLY [08/2013 - ] - Step 38**
8. **INSTALL UPPER TOOL BOX PANEL SUB-ASSEMBLY** . Refer to **REASSEMBLY [08/2013 - ] - Step 39**
9. **INSTALL BACK DOOR TRIM COVER** . Refer to **REASSEMBLY [08/2013 - ] - Step 40**
10. **INSTALL BACK DOOR SIDE GARNISH LH** . Refer to **REASSEMBLY [08/2013 - ] - Step 41**
11. **INSTALL BACK DOOR SIDE GARNISH RH** . Refer to **REASSEMBLY [08/2013 - ] - Step 42**
12. **INSTALL BACK DOOR CENTER GARNISH** . Refer to **REASSEMBLY [08/2013 - ] - Step 43**

## **BLACK OUT TAPE (FOR FRONT DOOR)**

COMPONENTS [08/2013 - ]

ILLUSTRATION