

H

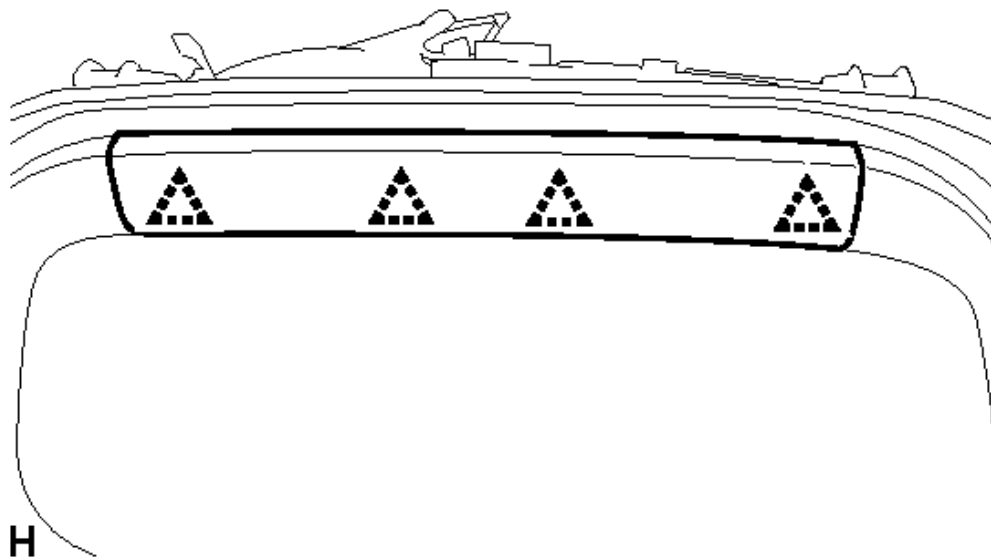
**Fig. 176: Identifying Back Door Replacement Components (7 Of 7)**  
Courtesy of TOYOTA MOTOR SALES, U.S.A., INC.

DISASSEMBLY [08/2013 - ]

DISASSEMBLY [08/2013 - ]

**1. REMOVE BACK DOOR CENTER GARNISH**

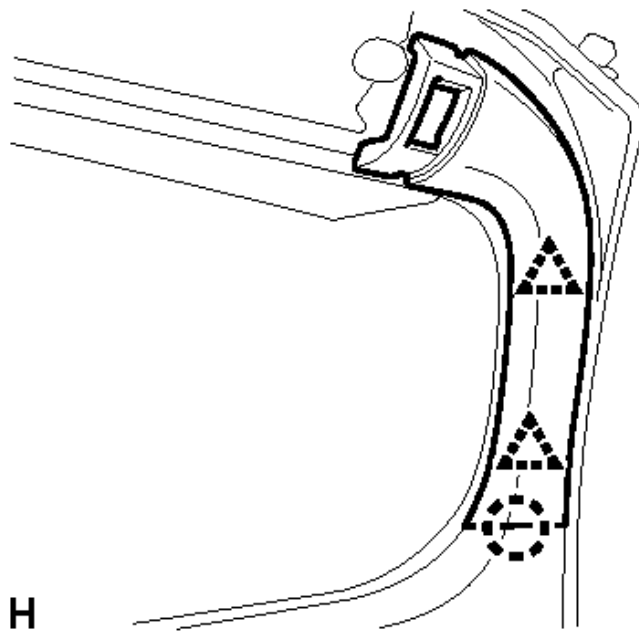
- a. Detach the 4 clips and remove the back door center garnish.



**Fig. 177: Identifying Back Door Center Garnish Clips**  
Courtesy of TOYOTA MOTOR SALES, U.S.A., INC.

**2. REMOVE BACK DOOR SIDE GARNISH LH**

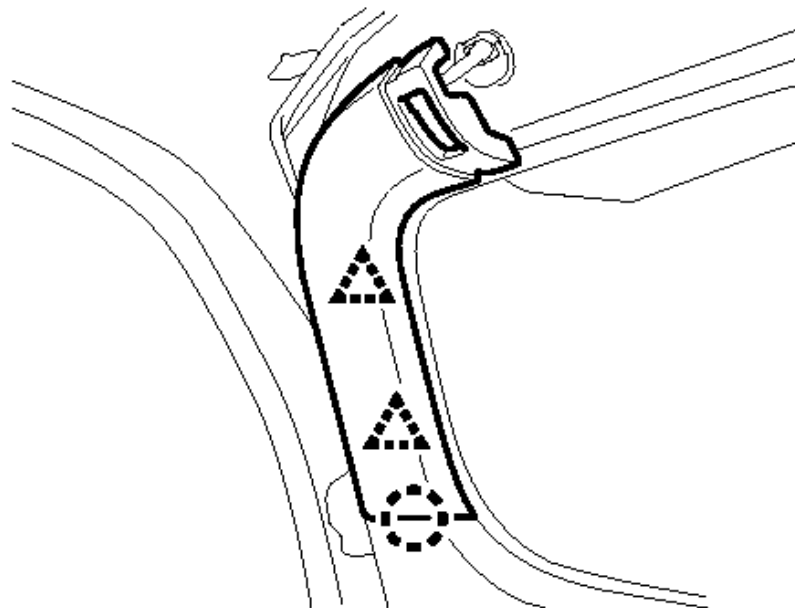
- a. Detach the 2 clips and claw and remove the back door side garnish.



**Fig. 178: Identifying Back Door Side Garnish LH Clips & Claw**  
Courtesy of TOYOTA MOTOR SALES, U.S.A., INC.

### 3. REMOVE BACK DOOR SIDE GARNISH RH

- a. Detach the 2 clips and claw and remove the back door side garnish.

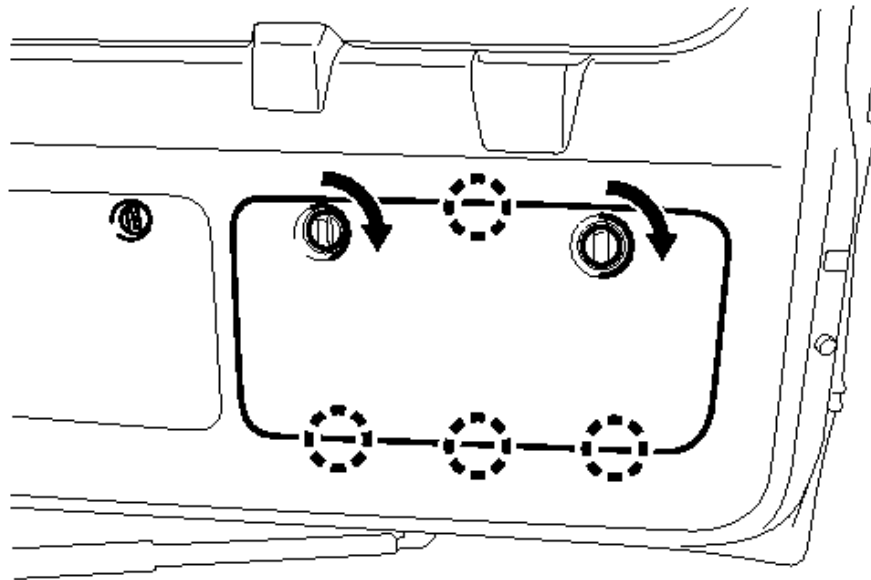


H

**Fig. 179: Identifying Back Door Side Garnish RH Clips & Claw**  
Courtesy of TOYOTA MOTOR SALES, U.S.A., INC.

### 4. REMOVE BACK DOOR TRIM COVER

- a. Remove the back door trim cover as shown in the illustration.

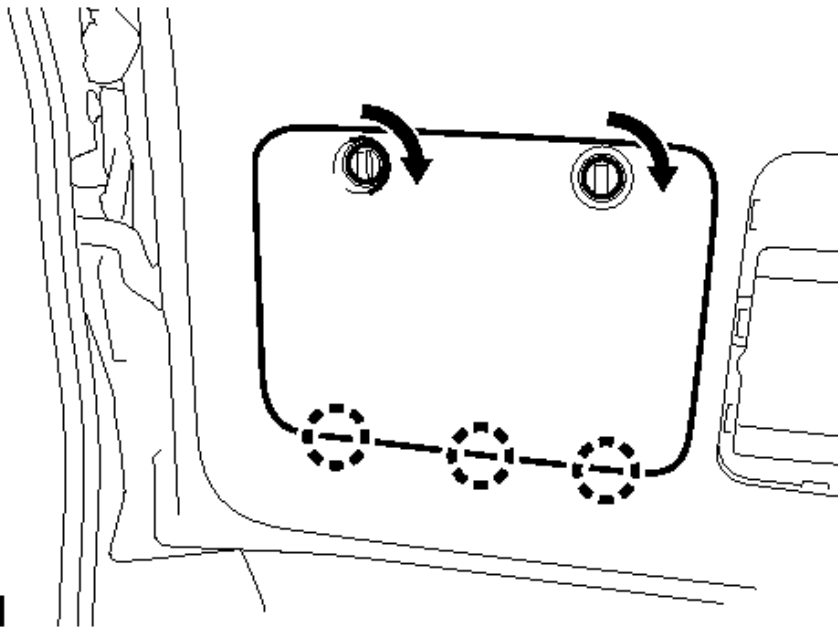


H

**Fig. 180: Removing Back Door Trim Cover**  
Courtesy of TOYOTA MOTOR SALES, U.S.A., INC.

**5. REMOVE UPPER TOOL BOX PANEL SUB-ASSEMBLY**

- a. Remove the upper tool box sub-assembly as shown in the illustration.

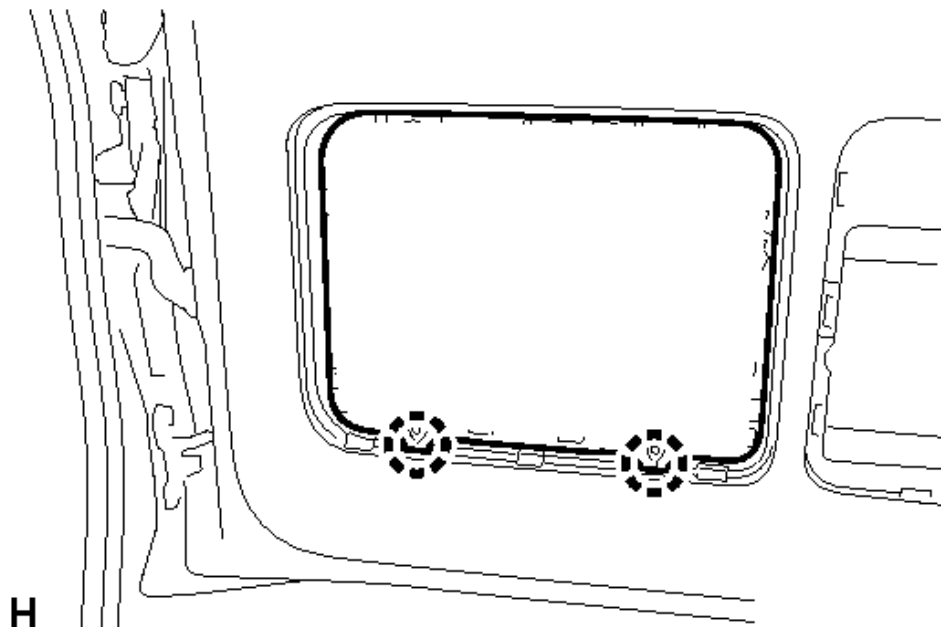


H

**Fig. 181: Removing Upper Tool Box Panel Sub-Assembly**  
Courtesy of TOYOTA MOTOR SALES, U.S.A., INC.

## 6. REMOVE TOOL CASE

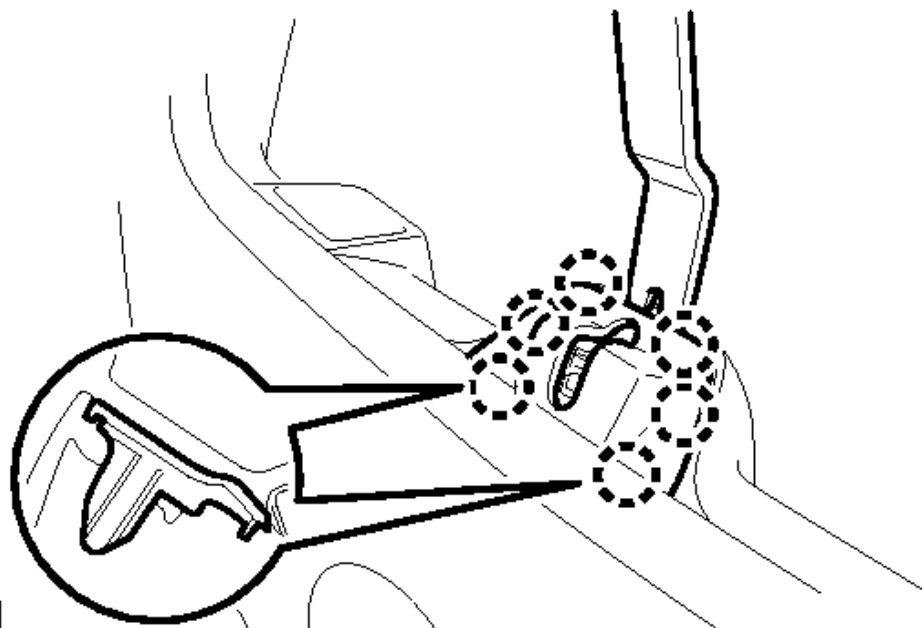
- a. Detach the 2 claws and remove the tool case.



**Fig. 182: Identifying Tool Case Claws**  
Courtesy of TOYOTA MOTOR SALES, U.S.A., INC.

## 7. REMOVE BACK DOOR LOCK COVER

- a. Using molding remover B, detach the clip and 6 claws and remove the back door lock cover with back door trim panel assembly.

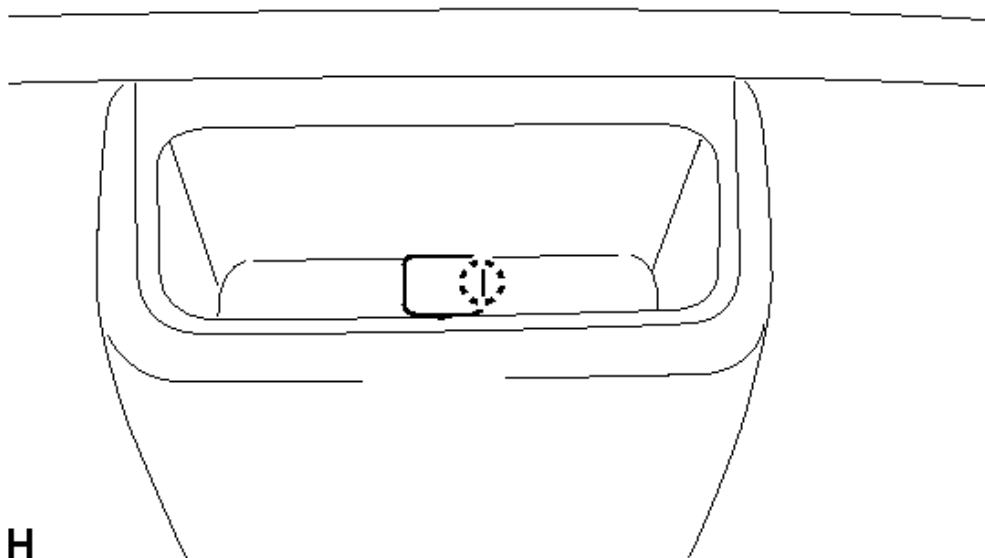


H

**Fig. 183: Identifying Back Door Lock Cover Claws And Clip**  
Courtesy of TOYOTA MOTOR SALES, U.S.A., INC.

**8. REMOVE BACK DOOR TRIM PANEL ASSEMBLY**

- a. Detach the claw and remove the cover.



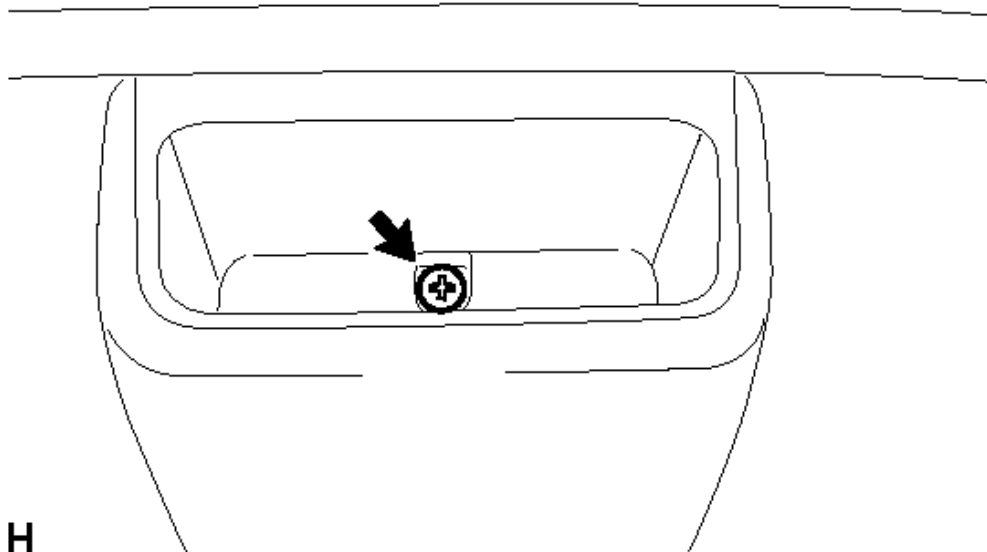
H

**Fig. 184: Identifying Cover Claw**  
Courtesy of TOYOTA MOTOR SALES, U.S.A., INC.

**HINT:**

Tape the screwdriver tip before use.

- b. Remove the screw.

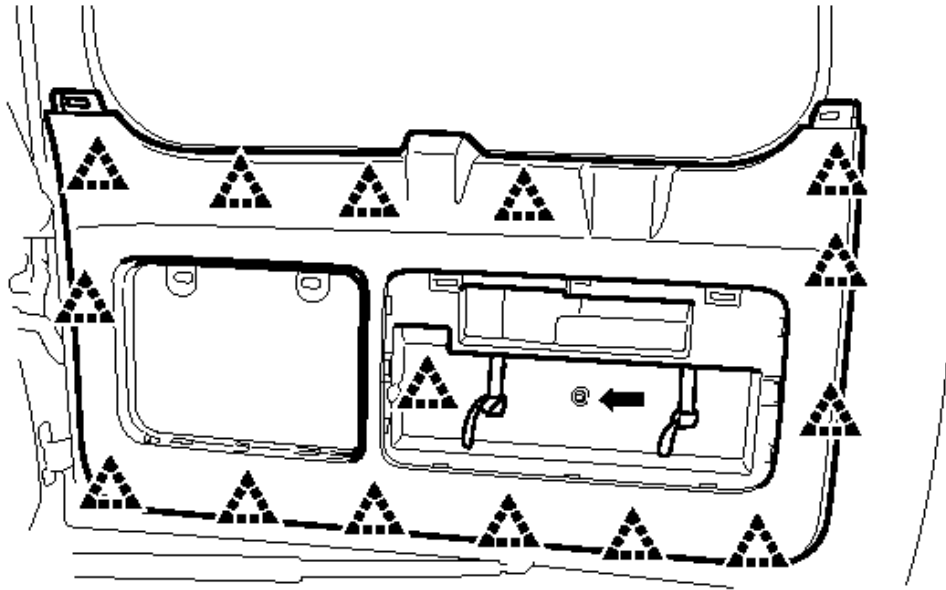


**H**

**Fig. 185: Identifying Screw**

**Courtesy of TOYOTA MOTOR SALES, U.S.A., INC.**

- c. Remove the bolt.



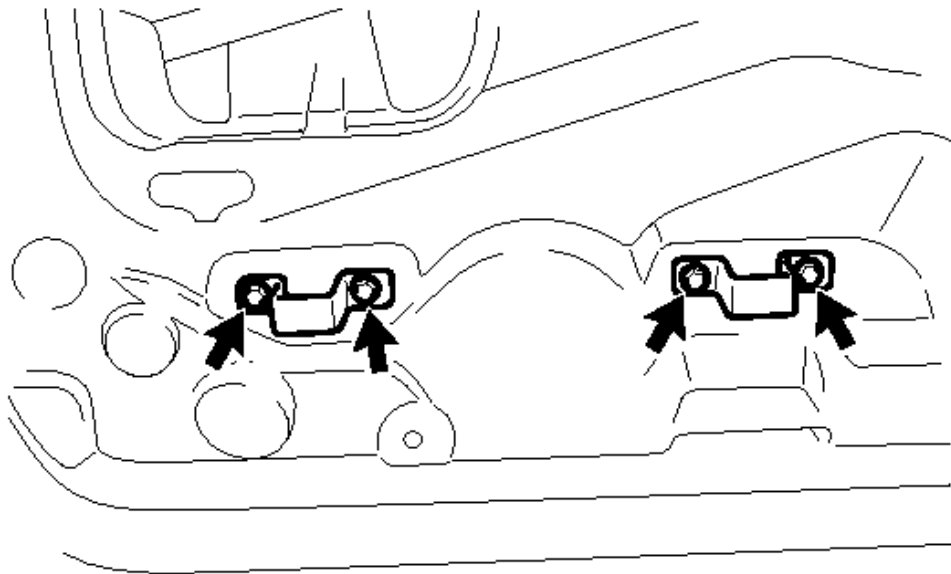
H

**Fig. 186: Identifying Back Door Trim Panel Bolt & Clips**  
Courtesy of TOYOTA MOTOR SALES, U.S.A., INC.

- d. Detach the 15 clips and remove the back door trim panel assembly.

**9. REMOVE TOOL BOX BRACKET**

- a. Remove the 4 bolts and 2 tool box brackets.



H

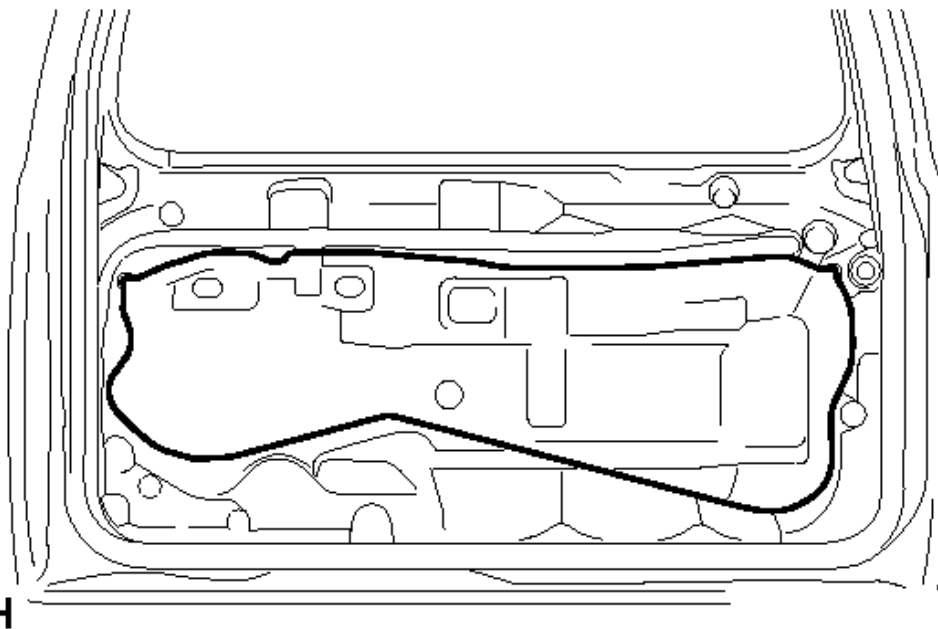
**Fig. 187: Identifying Tool Box Bracket Bolts**



Courtesy of TOYOTA MOTOR SALES, U.S.A., INC.

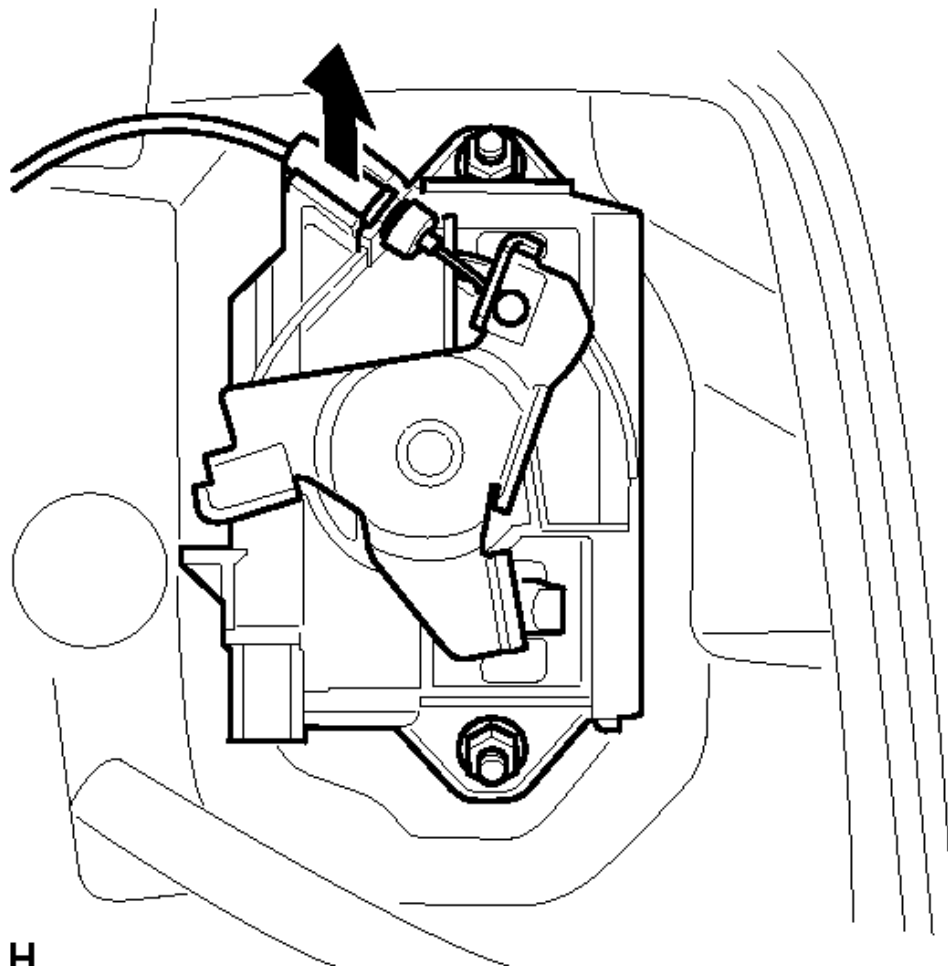
**10. REMOVE BACK DOOR SERVICE HOLE COVER**

- a. Remove the service hole cover.



**Fig. 188: Identifying Back Door Service Hole Cover**  
Courtesy of TOYOTA MOTOR SALES, U.S.A., INC.

11. **REMOVE BACK DOOR LOCK ASSEMBLY** . Refer to **REMOVAL [08/2013 - ] - Step 10**
12. **REMOVE BACK DOOR LOCK CONTROL CABLE ASSEMBLY**
  - a. Disconnect the cable.

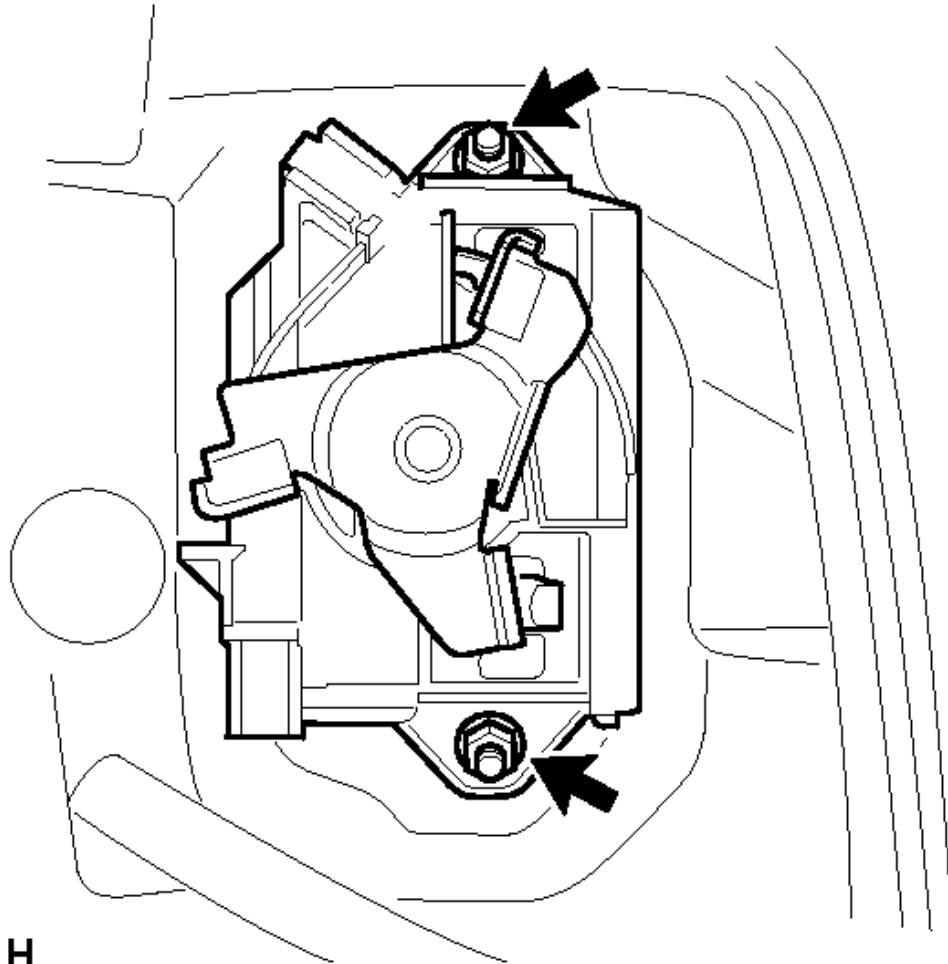


**H**

**Fig. 189: Disconnecting Back Door Lock Control Cable**  
Courtesy of TOYOTA MOTOR SALES, U.S.A., INC.

**13. REMOVE BACK DOOR OUTSIDE HANDLE LH**

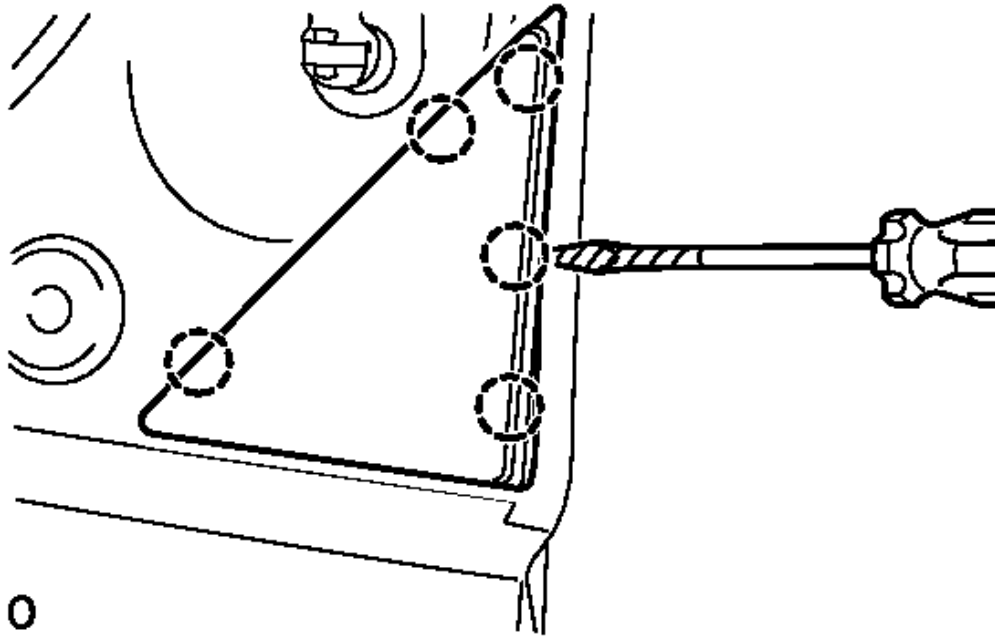
- a. Remove the 2 nuts and back door outside handle.



**H**

**Fig. 190: Identifying Back Door Outside Handle Nuts**  
Courtesy of TOYOTA MOTOR SALES, U.S.A., INC.

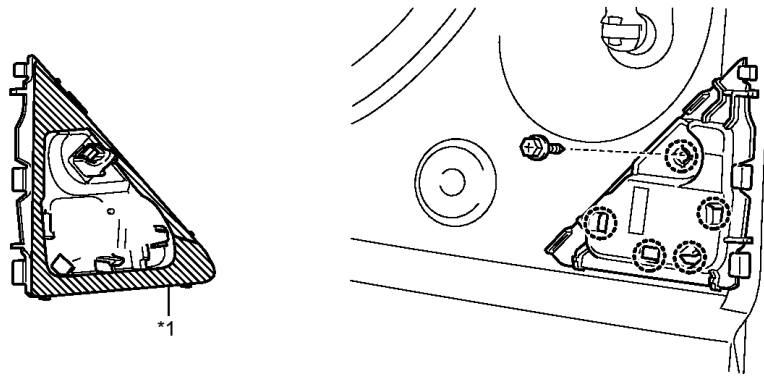
- b. Disconnect the cable.
- 14. **REMOVE REAR TELEVISION CAMERA ASSEMBLY** . Refer to **REMOVAL [08/2013 - ] - Step 10**
- 15. **REMOVE LOWER BACK DOOR OUTSIDE GARNISH MOLDING LH** . Refer to **REMOVAL [08/2013 - ] - Step 1**
- 16. **REMOVE LOWER BACK DOOR OUTSIDE GARNISH MOLDING RH**
  - a. Detach the 5 claws and remove the molding.



**Fig. 191: Removing Lower Back Door Outside Garnish Molding RH**

Courtesy of TOYOTA MOTOR SALES, U.S.A., INC.

17. **REMOVE LOWER BACK DOOR GARNISH SUB-ASSEMBLY OUTSIDE LH** . Refer to **REMOVAL [08/2013 - ] - Step 2**
18. **REMOVE LOWER BACK DOOR GARNISH SUB-ASSEMBLY OUTSIDE RH**
  - a. Remove the screw.



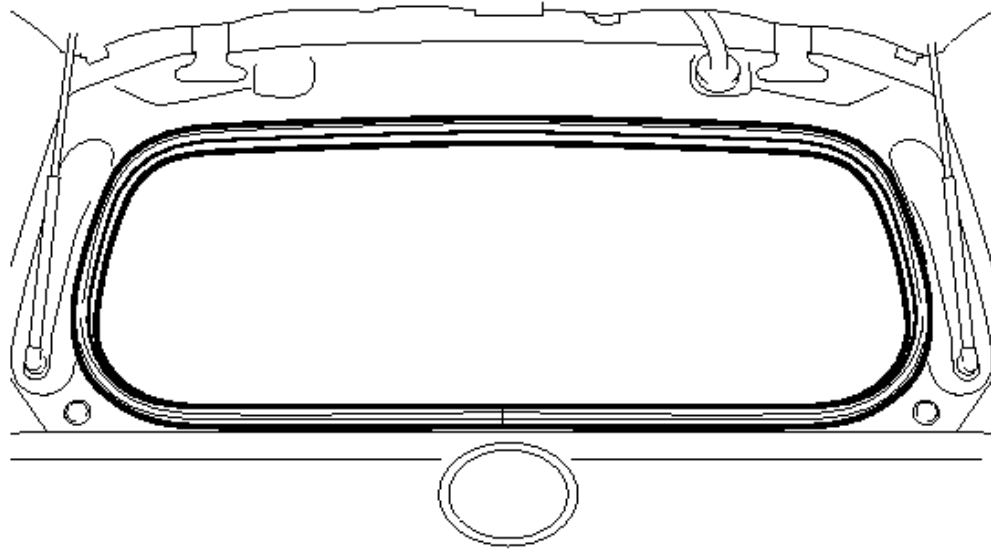
**Fig. 192: Identifying Lower Back Door Garnish Screw, Double-Sided Tape & Claws**

Courtesy of TOYOTA MOTOR SALES, U.S.A., INC.

**TEXT IN ILLUSTRATION**

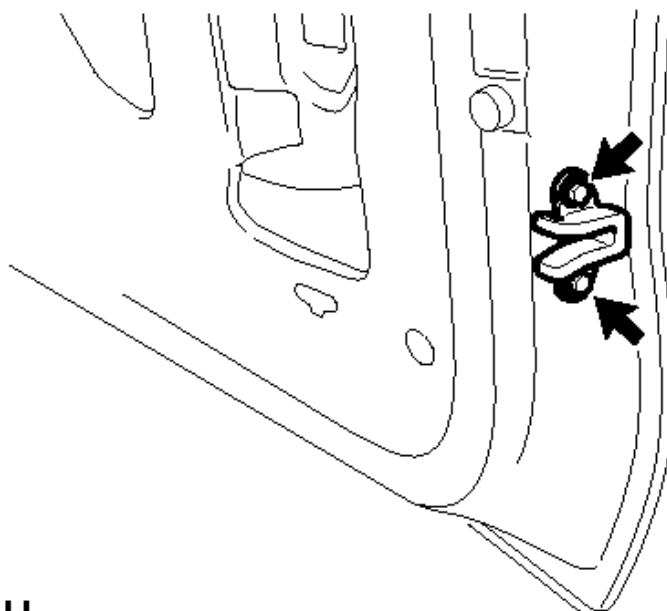
*1	Double-sided Tape	-	-
----	-------------------	---	---

- b. Detach the 4 claws and remove the lower door garnish sub-assembly outside.
19. **REMOVE GLASS HATCH OPENER SWITCH ASSEMBLY** . Refer to **REMOVAL [08/2013 - ] - Step 3**
20. **REMOVE SWITCH COVER** . Refer to **REMOVAL [08/2013 - ] - Step 4**
21. **REMOVE NO. 2 BACK DOOR WEATHERSTRIP**
- a. Remove the No. 2 back door weatherstrip.

**H**

**Fig. 193: Identifying No. 2 Back Door Weatherstrip**  
 Courtesy of TOYOTA MOTOR SALES, U.S.A., INC.

22. **REMOVE BACK DOOR SIDE FEMALE STOPPER SUB-ASSEMBLY LH**
- a. Remove the 2 bolts and back door side female stopper sub-assembly.

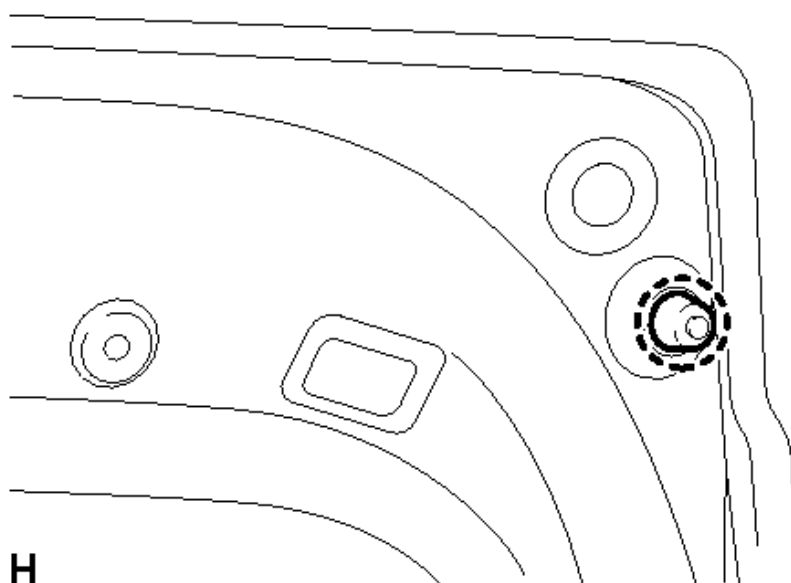


H

**Fig. 194: Identifying Back Door Side Female Stopper Bolts**  
Courtesy of TOYOTA MOTOR SALES, U.S.A., INC.

**23. REMOVE BACK DOOR NO. 2 STOPPER CUSHION**

- a. Remove the back door No. 2 stopper cushion.

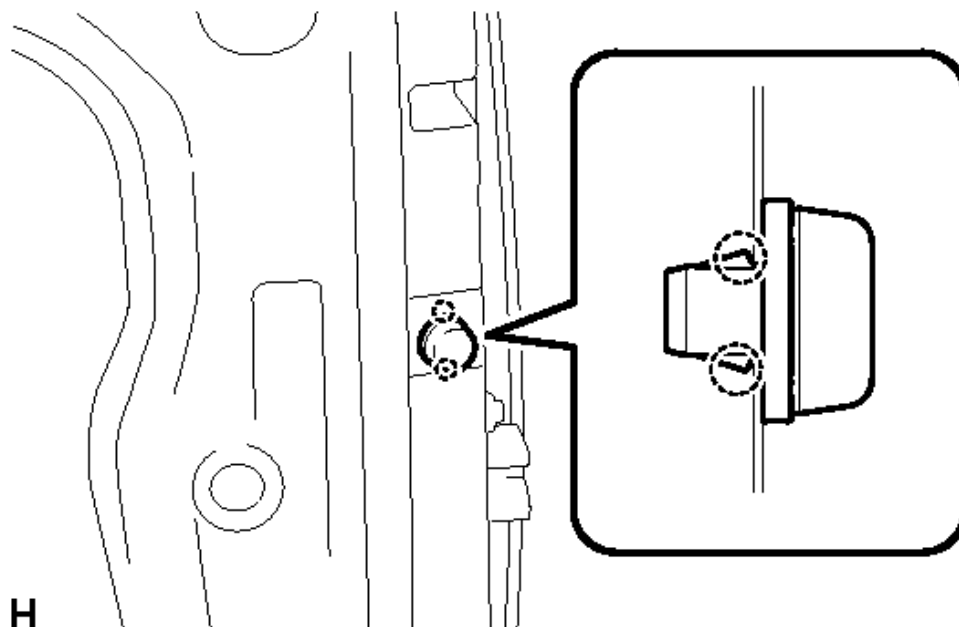


H

**Fig. 195: Identifying Back Door No. 2 Stopper Cushion**  
Courtesy of TOYOTA MOTOR SALES, U.S.A., INC.

**24. REMOVE BACK DOOR NO. 1 STOPPER**

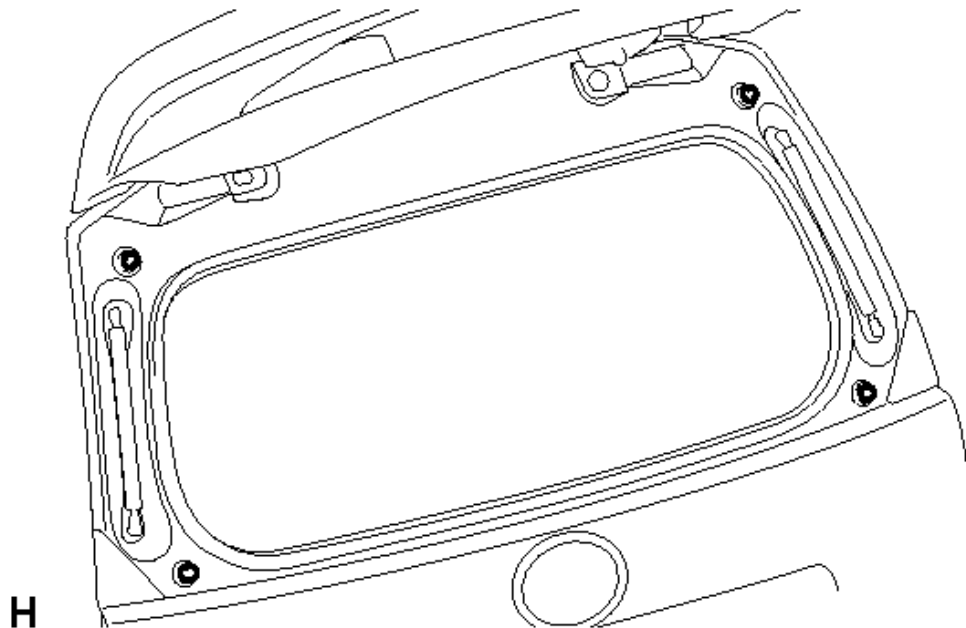
- a. Using a clip remover, detach the 2 claws and remove the back door No. 1 stopper.



**Fig. 196: Identifying Back Door No. 1 Stopper Claws**  
Courtesy of TOYOTA MOTOR SALES, U.S.A., INC.

**25. REMOVE BACK DOOR PANEL CUSHION**

- a. Remove the 4 back door panel cushions.



**Fig. 197: Identifying Back Door Panel Cushions**  
Courtesy of TOYOTA MOTOR SALES, U.S.A., INC.

26. **REMOVE BACK WINDOW LOCK ASSEMBLY** . Refer to **REMOVAL [08/2013 - ] - Step 9**
27. **REMOVE REAR NO. 1 SPOILER COVER** . Refer to **REMOVAL [08/2013 - ] - Step 1**
28. **REMOVE REAR SPOILER COVER RH** . Refer to **REMOVAL [08/2013 - ] - Step 2**
29. **REMOVE REAR SPOILER SUB-ASSEMBLY** . Refer to **REMOVAL [08/2013 - ] - Step 3**
30. **REMOVE REAR WASHER NOZZLE SUB-ASSEMBLY** . Refer to **REMOVAL [08/2013 - ] - Step 4**
31. **REMOVE REAR WIPER ARM** . Refer to **REMOVAL [08/2013 - ] - Step 5**
32. **REMOVE REAR WIPER MOTOR ASSEMBLY** . Refer to **REMOVAL [08/2013 - ] - Step 6**
33. **REMOVE BACK DOOR LOCK STRIKER COVER** . Refer to **REMOVAL [08/2013 - ] - Step 9**
34. **REMOVE BACK WINDOW STAY ASSEMBLY LH** . Refer to **REMOVAL [08/2013 - ] - Step 1**



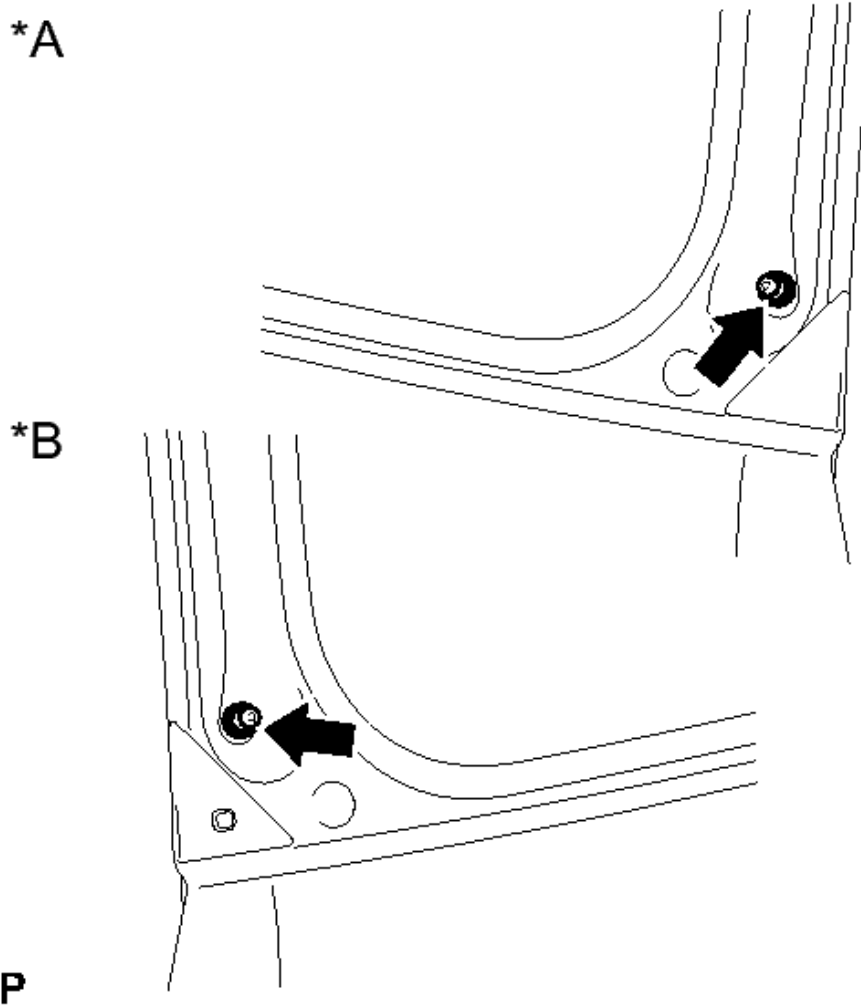
**35. REMOVE BACK WINDOW STAY ASSEMBLY RH**

**HINT:**

Use the same procedure described for the LH side.

**36. REMOVE BACK DOOR STAY BOLT**

- a. Remove the 2 back door stay bolts.



**Fig. 198: Identifying Back Door Stay Bolts**  
 Courtesy of TOYOTA MOTOR SALES, U.S.A., INC.

**TEXT IN ILLUSTRATION**

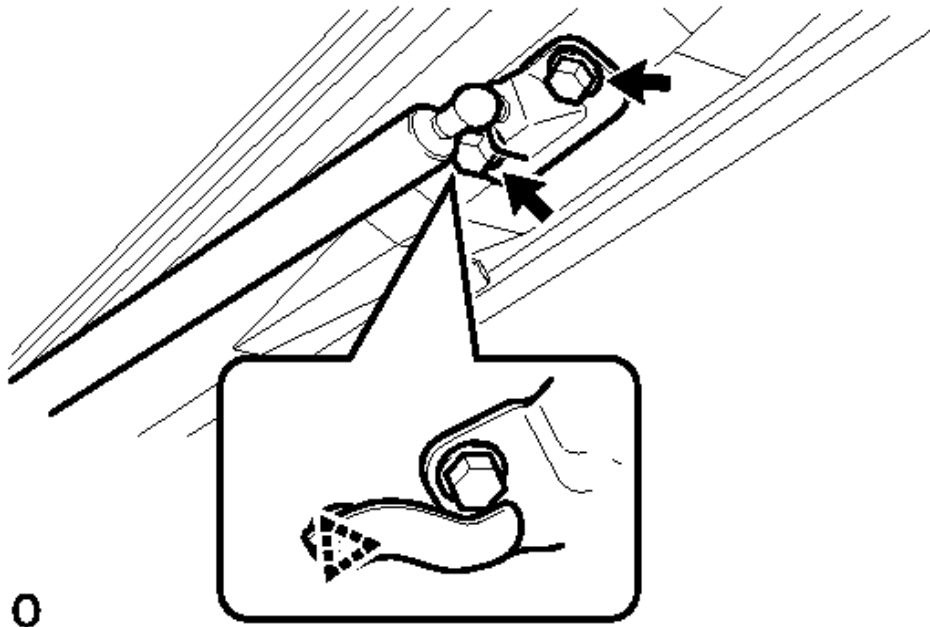
*A	for RH Side
*B	for LH Side

37. **REMOVE BACK DOOR GLASS** . Refer to **REMOVAL [08/2013 - ] - Step 8**
38. **REMOVE REAR BUMPER BAR PLATE** . Refer to **REMOVAL [08/2013 - ] - Step 4**
39. **REMOVE BACK DOOR CHECK**

**NOTE:**

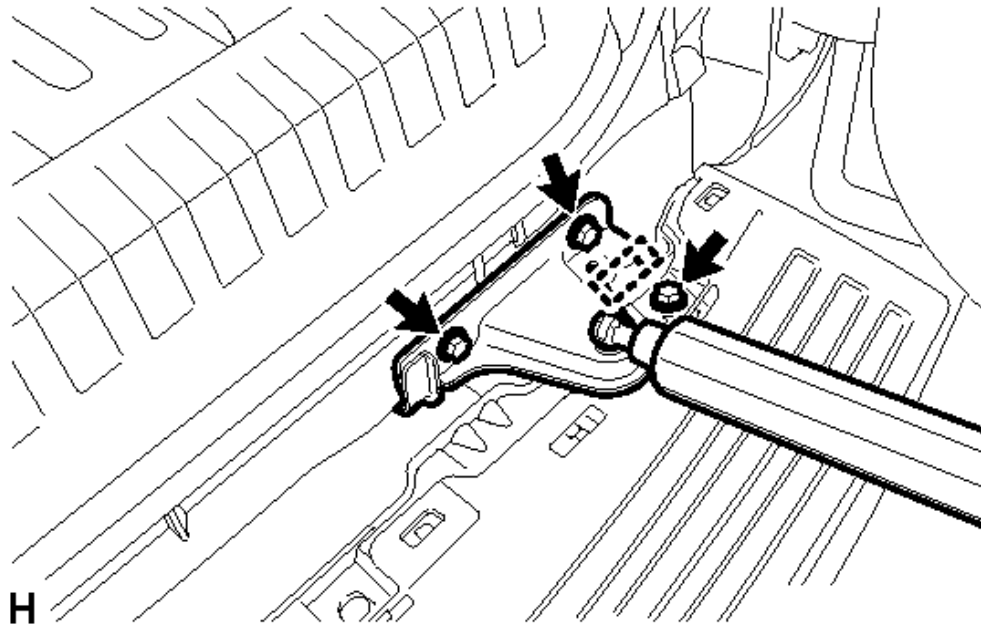
- If the back door check is detached from a ball joint, do not reuse it as the connection with the ball joint will be loose, resulting in the back door check falling off.
- If the back door check is detached from a ball joint, it becomes non-reusable. Therefore, do not detach the back door check from a ball joint unless replacing it.

- a. Remove the 2 bolts.



**Fig. 199: Identifying Back Door Check Bolts And Clip**  
Courtesy of TOYOTA MOTOR SALES, U.S.A., INC.

- b. Using a clip remover, detach the clip and remove the back door check with back door lower damper stay bracket.
- c. Detach the wire harness clamp.



**Fig. 200: Identifying Back Door Lower Damper Stay Bracket Bolts**  
 Courtesy of TOYOTA MOTOR SALES, U.S.A., INC.

- d. Remove the 3 bolts and back door check with back door lower damper stay bracket.

#### 40. REMOVE BACK DOOR LOWER DAMPER STAY BRACKET LH

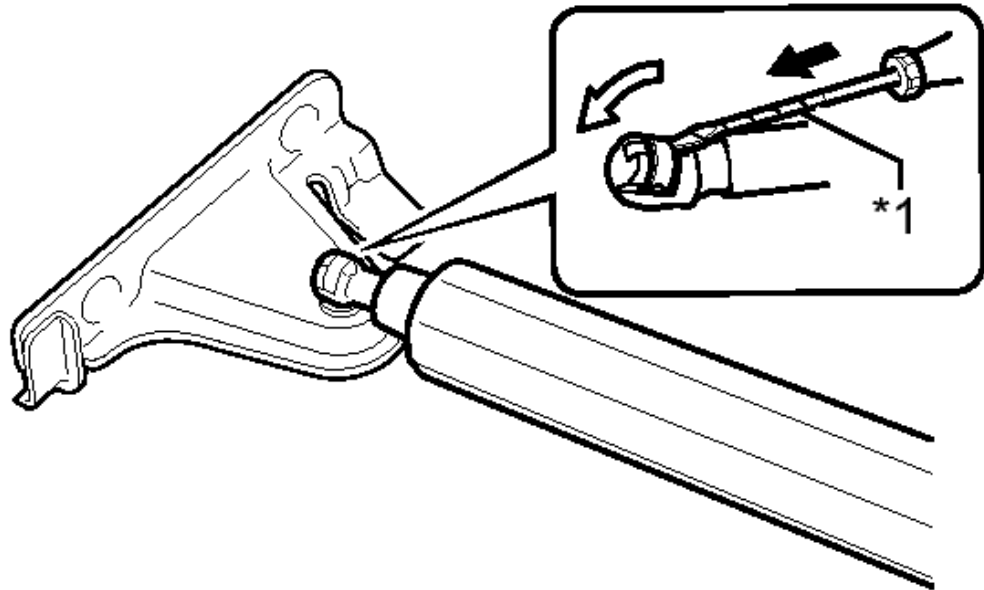
**NOTE:**

- If the back door check is detached from a ball joint, do not reuse it as the connection with the ball joint will be loose, resulting in the back door check falling off.
- If the back door check is detached from a ball joint, it becomes non-reusable. Therefore, do not detach the back door check from a ball joint unless replacing it.
- The back door lower damper stay bracket on the back door side cannot be removed from the back door check. Therefore, if the back door check or back door damper stay bracket is replaced, prepare a new back door check and back door damper stay bracket.

- a. Bumper Side:

1. Using a screwdriver, remove the stop ring as shown in the illustration, and then remove the back door check.

**NOTE:** Tape the screwdriver tip before use.



**H**

**Fig. 201: Removing Back Door Check Stop Ring**  
 Courtesy of TOYOTA MOTOR SALES, U.S.A., INC.

**TEXT IN ILLUSTRATION**

*1	Protective Tape
----	-----------------

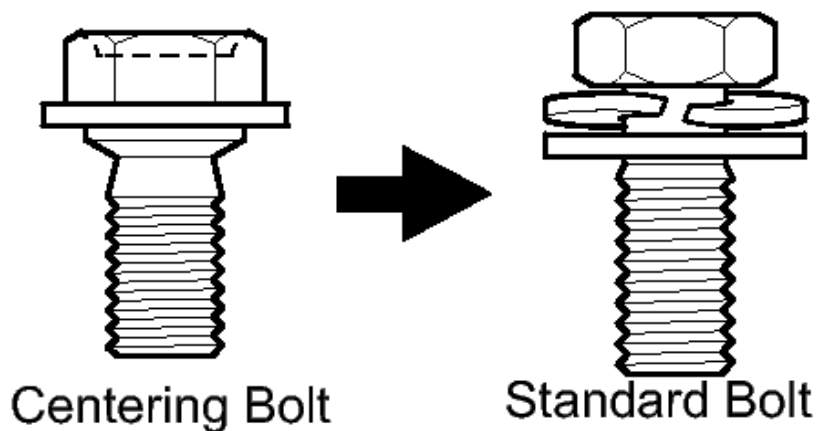
41. **REMOVE BACK DOOR OUTSIDE GARNISH SUB-ASSEMBLY .** Refer to **REMOVAL [08/2013 - ] - Step 12**
42. **REMOVE NO. 1 BACK DOOR GARNISH RETAINER .** Refer to **DISASSEMBLY [08/2013 - ] - Step 3**
43. **REMOVE BACK DOOR ELECTRICAL KEY SWITCH .** Refer to **REMOVAL [08/2013 - ] - Step 12**
44. **REMOVE LICENSE PLATE LIGHT ASSEMBLY .** Refer to **REMOVAL [08/2013 - ] - Step 2**

ADJUSTMENT [08/2013 - ]

ADJUSTMENT [08/2013 - ]

**HINT:**

- Centering bolts are used to mount the door hinge to the vehicle body and door. The door cannot be adjusted with the centering bolts installed. Substitute the centering bolts with standard bolts (with washers) when making adjustments.

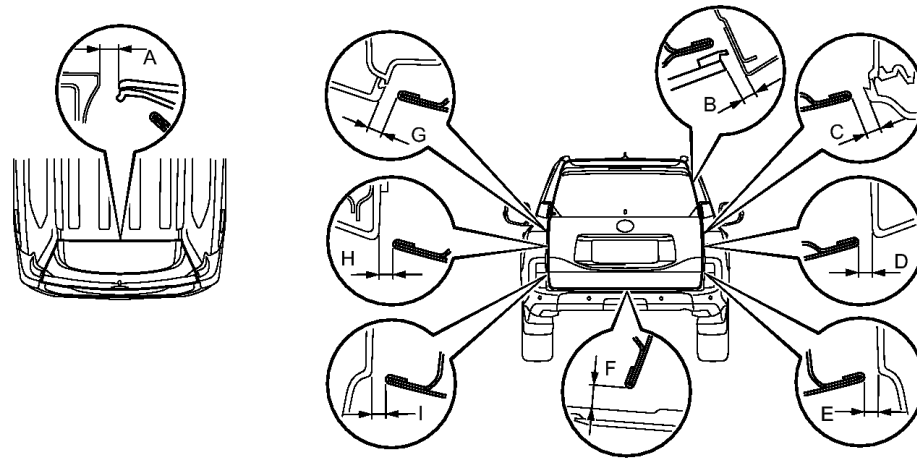
**P**

**Fig. 202: Identifying Standard And Centering Bolts**  
Courtesy of TOYOTA MOTOR SALES, U.S.A., INC.

- The specified torque for standard bolts is shown in the standard bolt chart. Refer to **SPECIFIED TORQUE FOR STANDARD BOLTS [08/2013 - ]**.

**1. INSPECT BACK DOOR**

- a. Check that the clearance measurements of areas A through I are within the standard range.



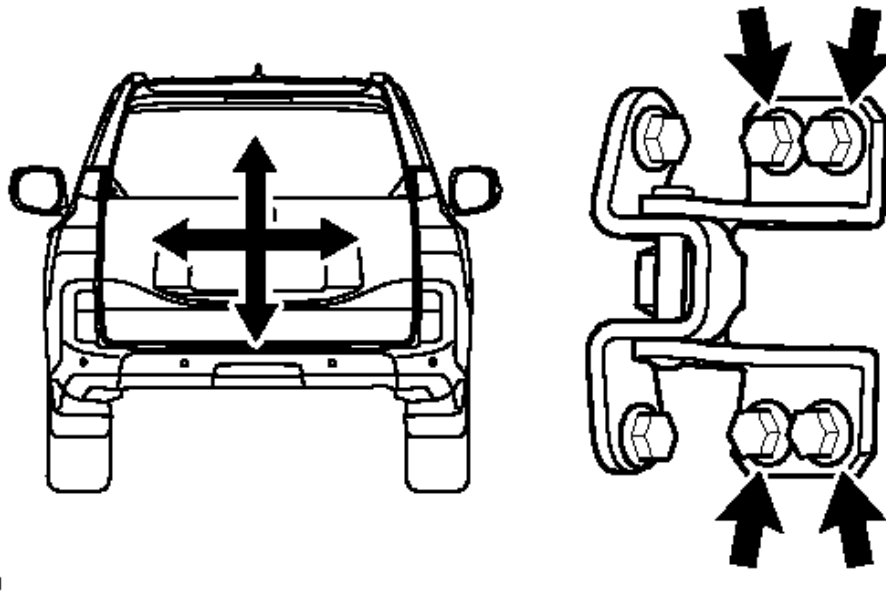
o  
**Fig. 203: Identifying Back Door Body Clearance Areas**  
 Courtesy of TOYOTA MOTOR SALES, U.S.A., INC.

Standard

Area	Measurement	Area	Measurement
A	8.35 to 11.35 mm (0.329 to 0.447 in.)	B	5.05 to 8.05 mm (0.199 to 0.317 in.)
C	4.65 to 7.65 mm (0.183 to 0.301 in.)	D	4.95 to 7.95 mm (0.195 to 0.313 in.)
E	4.95 to 7.95 mm (0.195 to 0.313 in.)	F	8.85 to 11.85 mm (0.348 to 0.467 in.)
G	4.65 to 7.65 mm (0.183 to 0.301 in.)	H	4.95 to 7.95 mm (0.195 to 0.313 in.)
I	5.05 to 8.05 mm (0.199 to 0.317 in.)	-	-

## 2. ADJUST BACK DOOR

- a. Loosen the hinge bolts on the body and adjust the position of the door.

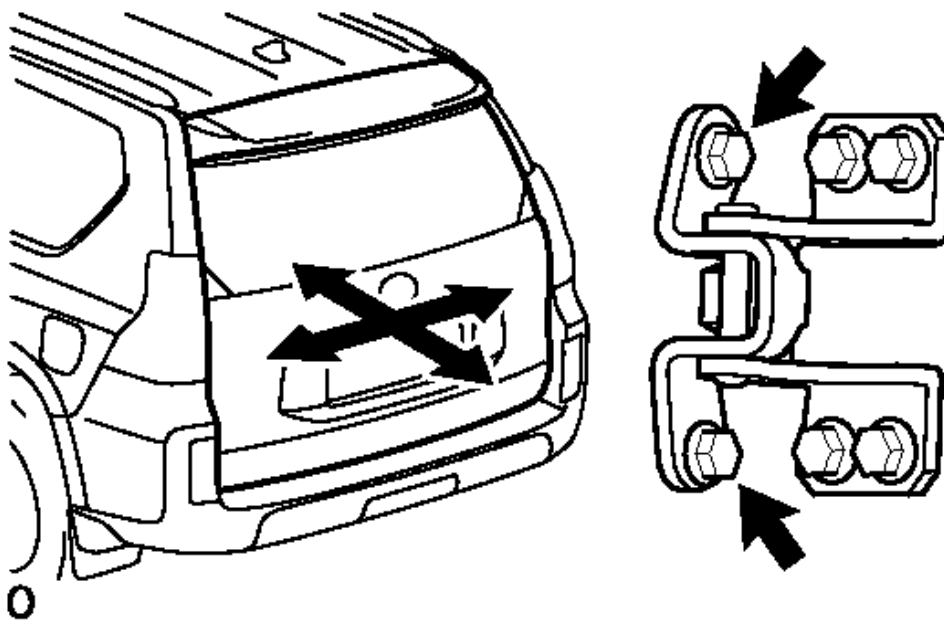


**Fig. 204: Adjusting Back Door Position By Body Hinge Bolts**  
Courtesy of TOYOTA MOTOR SALES, U.S.A., INC.

- b. Tighten the hinge bolts on the body.

**Torque: 26 N\*m (265 kgf\*cm, 19 ft.\*lbf)**

- c. Loosen the hinge bolts on the door and adjust the position of the door.

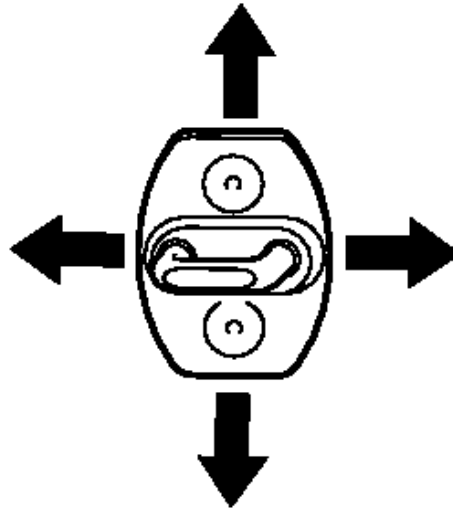


**Fig. 205: Adjusting Back Door Position By Door Hinge Bolts**  
Courtesy of TOYOTA MOTOR SALES, U.S.A., INC.

- d. Tighten the hinge bolts on the door.

**Torque: 36 N\*m (367 kgf\*cm, 27 ft.\*lbf)**

- e. Using a T40 "TORX" socket, adjust the striker position by slightly loosening the striker mounting screws and then hitting the striker with a plastic-faced hammer.



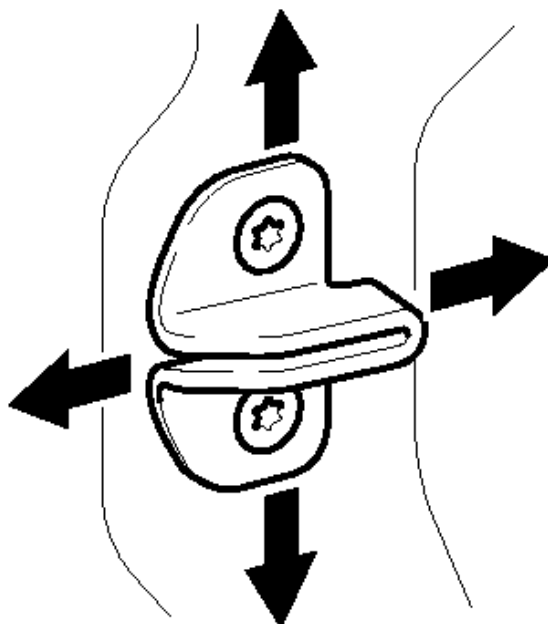
**Fig. 206: Adjusting Back Door Striker Position**  
Courtesy of TOYOTA MOTOR SALES, U.S.A., INC.

- f. Using a T40 "TORX" socket, tighten the striker mounting screws.

**Torque: 23 N\*m (235 kgf\*cm, 17 ft.\*lbf)**

- g. Using a T30 "TORX" socket, adjust the back door side male stopper position by slightly loosening the stopper mounting screws and then hitting the stopper with a plastic-faced hammer.





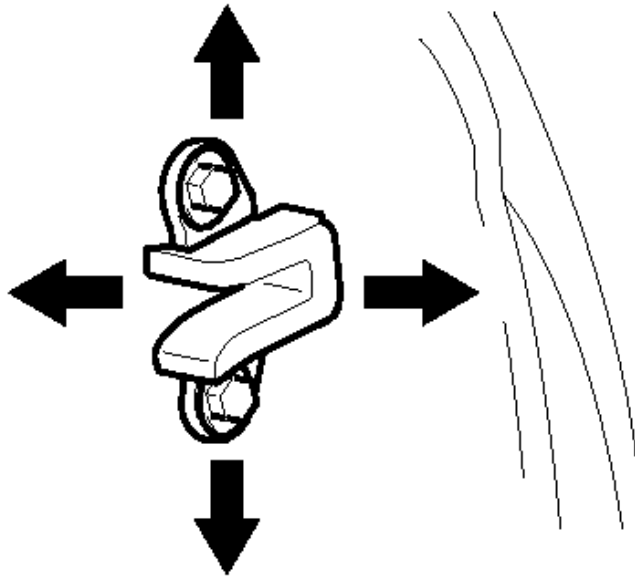
**T**

**Fig. 207: Identifying Back Door Side Male Stopper**  
Courtesy of TOYOTA MOTOR SALES, U.S.A., INC.

- h. Using a T30 "TORX" socket, tighten the male stopper mounting screws.

**Torque: 7.0 N\*m (71 kgf\*cm, 62 in.\*lbf)**

- i. Loosen the back door side female stopper bolts and adjust the stopper position.



**T**

**Fig. 208: Adjusting Side Female Stopper Position**  
 Courtesy of TOYOTA MOTOR SALES, U.S.A., INC.

j. Tighten the female stopper bolts.

**Torque: 7.0 N\*m (71 kgf\*cm, 62 in.\*lbf)**

REASSEMBLY [08/2013 - ]

REASSEMBLY [08/2013 - ]

**HINT:**

A bolt without a torque specification is shown in the standard bolt chart. Refer to **SPECIFIED TORQUE FOR STANDARD BOLTS [08/2013 - ]** .

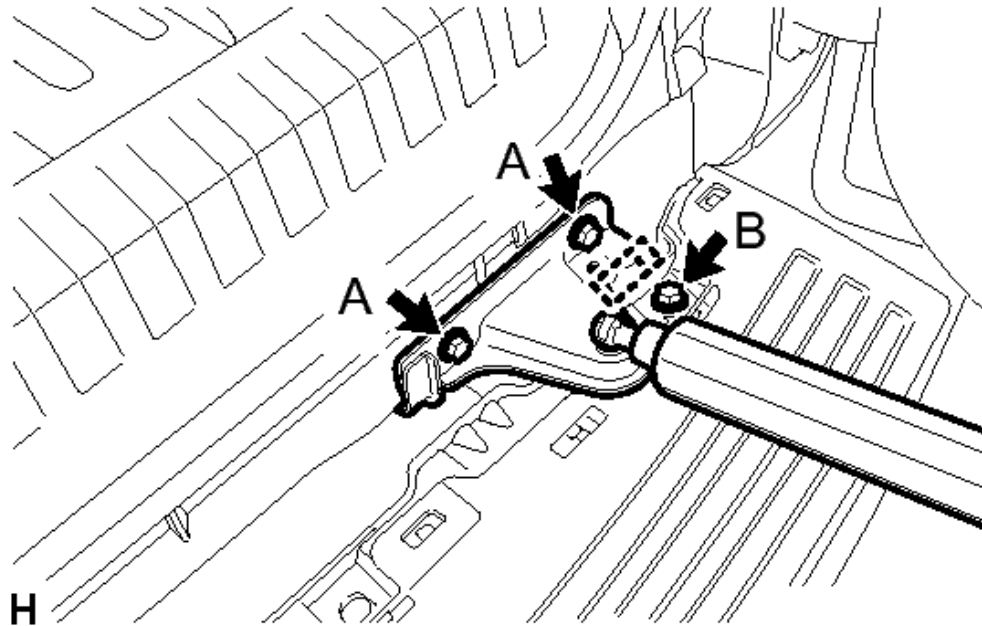
1. **INSTALL LICENSE PLATE LIGHT ASSEMBLY** . Refer to **INSTALLATION [08/2013 - ] - Step 1**
2. **INSTALL BACK DOOR ELECTRICAL KEY SWITCH** . Refer to **INSTALLATION [08/2013 - ] - Step 1**
3. **INSTALL NO. 1 BACK DOOR GARNISH RETAINER** . Refer to **REASSEMBLY [08/2013 - ] - Step 4**
4. **INSTALL BACK DOOR OUTSIDE GARNISH SUB-ASSEMBLY** . Refer to **INSTALLATION [08/2013 - ] - Step 1**

## 5. INSTALL BACK DOOR LOWER DAMPER STAY BRACKET LH

- a. Bumper side:
  1. Install a new back door check to the back door lower damper stay bracket.
- b. Back door side:
  1. Install a new back door check to a new back door lower damper stay bracket.
- c. Check that the back door check is securely attached to the ball joint and cannot be pulled off.

## 6. INSTALL BACK DOOR CHECK

- a. Bumper Side:
  1. Install the back door check with back door lower damper stay bracket with the 2 bolts labeled A.



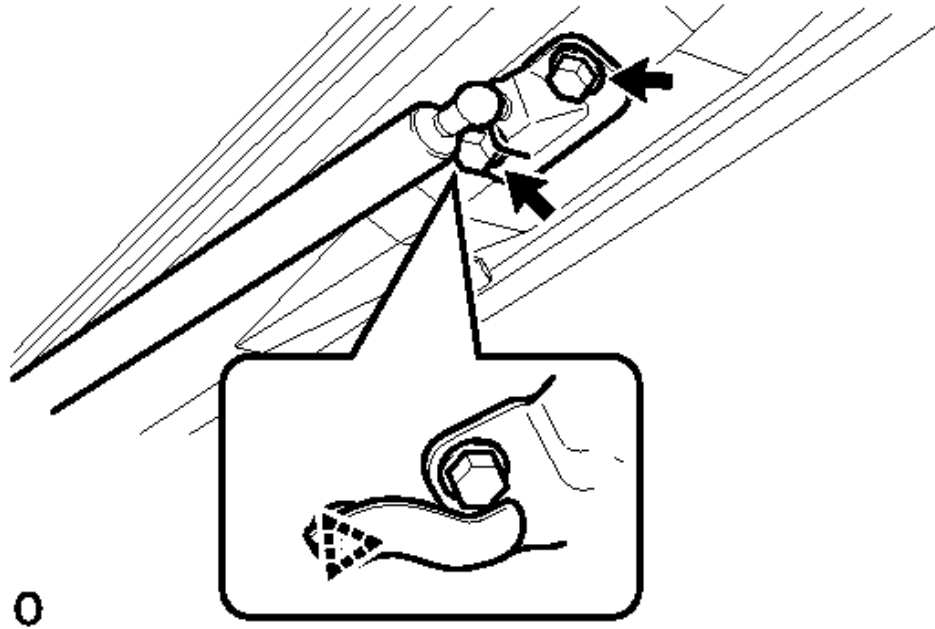
**Fig. 209: Identifying back Door Check Bolts**  
Courtesy of TOYOTA MOTOR SALES, U.S.A., INC.

**Torque: 30 N\*m (306 kgf\*cm, 22 ft.\*lbf)**

2. Install the bolt labeled B.

**Torque: 8.0 N\*m (82 kgf\*cm, 71 in.\*lbf)**

3. Attach the wire harness.
- b. Back Door Side:
  1. Attach the clip to install the back door check with back door lower damper stay bracket.



**Fig. 210: Identifying Back Door Check Bolts And Clip**  
Courtesy of TOYOTA MOTOR SALES, U.S.A., INC.

2. Install the 2 bolts.

**Torque: 30 N\*m (306 kgf\*cm, 22 ft.\*lbf)**

7. **INSTALL BACK DOOR GLASS** . Refer to INSTALLATION [08/2013 - ] - Step 6
8. **INSTALL BACK WINDOW STAY ASSEMBLY LH** . Refer to INSTALLATION [08/2013 - ] - Step 2
9. **INSTALL BACK WINDOW STAY ASSEMBLY RH**

**HINT:**

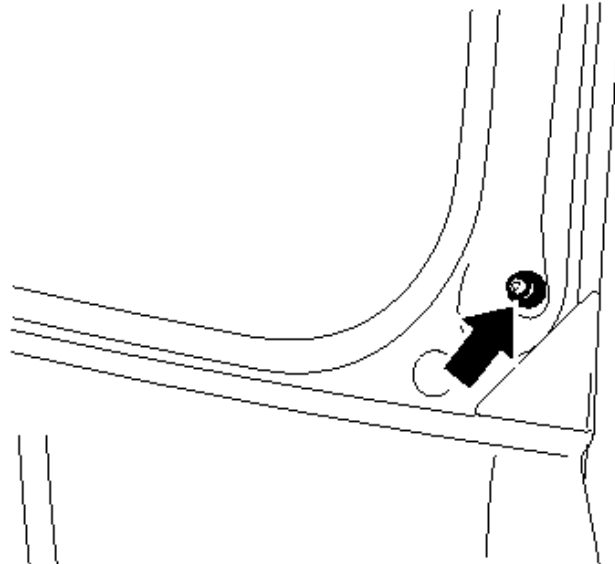
Use the same procedure described for the LH side.

10. **INSTALL BACK DOOR STAY BOLT**

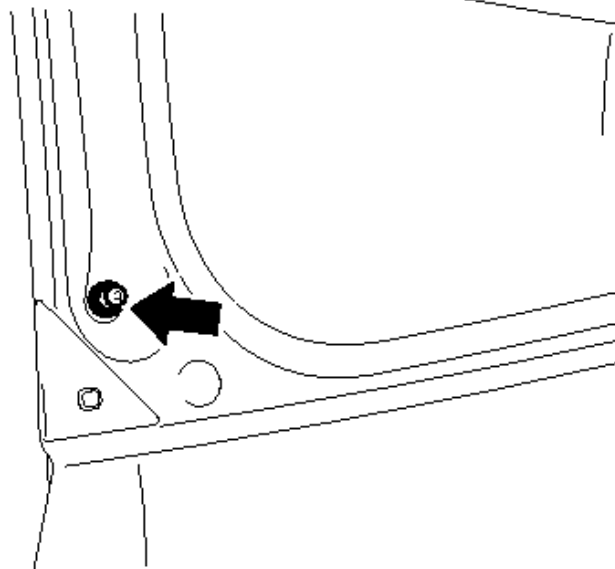
- a. When replacing the back door stay bolt with a new one:
  - 1. Clean the threaded portion on the vehicle body with a non-residue solvent.
  - 2. Install the 2 back door stay bolts.

**Torque: 22 N\*m (224 kgf\*cm, 16 ft.\*lbf)**

**\*A**



**\*B**



**P**

**Fig. 211: Identifying Back Door Stay Bolts**  
Courtesy of TOYOTA MOTOR SALES, U.S.A., INC.

**TEXT IN ILLUSTRATION**

*A	for RH Side
*B	for LH Side

b. When reusing the back door stay bolt:

1. Clean the threaded portion on the vehicle body with a non-residue solvent.
2. Apply adhesive to the threads of the back door stay bolt.

Adhesive

Toyota Genuine Adhesive 1324, Three Bond 1324 or equivalent

3. Install the 2 back door stay bolts.

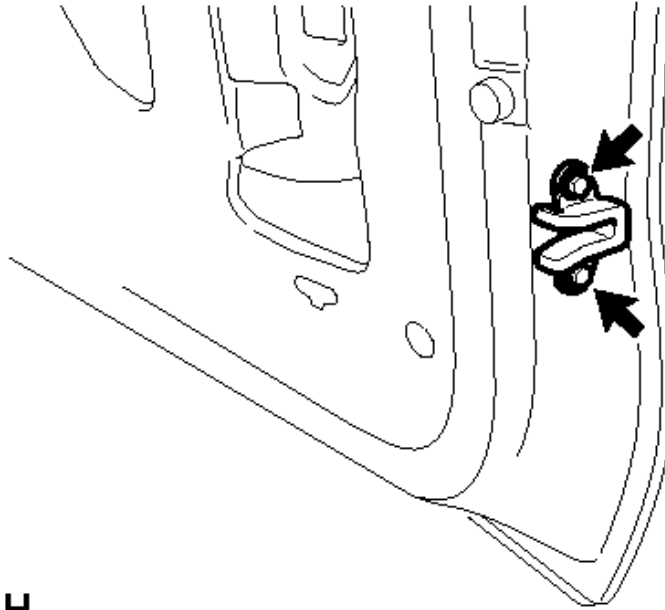
**Torque: 22 N\*m (224 kgf\*cm, 16 ft.\*lbf)**

11. **INSTALL BACK DOOR LOCK STRIKER COVER** . Refer to **INSTALLATION [08/2013 - ] - Step 5**
12. **INSTALL REAR WIPER MOTOR ASSEMBLY** . Refer to **INSTALLATION [08/2013 - ] - Step 1**
13. **INSTALL REAR WIPER ARM** . Refer to **INSTALLATION [08/2013 - ] - Step 2**
14. **INSTALL REAR WASHER NOZZLE SUB-ASSEMBLY** . Refer to **INSTALLATION [08/2013 - ] - Step 1**
15. **INSTALL REAR SPOILER SUB-ASSEMBLY** . Refer to **INSTALLATION [08/2013 - ] - Step 1**
16. **INSTALL REAR SPOILER COVER RH** . Refer to **INSTALLATION [08/2013 - ] - Step 2**
17. **INSTALL REAR NO. 1 SPOILER COVER** . Refer to **INSTALLATION [08/2013 - ] - Step 3**
18. **INSTALL BACK WINDOW LOCK ASSEMBLY** . Refer to **INSTALLATION [08/2013 - ] - Step 1**
19. **INSTALL BACK DOOR PANEL CUSHION**
  - a. Install the 4 back door panel cushions.
20. **INSTALL BACK DOOR NO. 1 STOPPER**
  - a. Attach the 2 claws to install a new back door No. 1 stopper.
21. **INSTALL BACK DOOR NO. 2 STOPPER CUSHION**
  - a. Attach the claw to install the back door No. 2 stopper cushion.
22. **INSTALL BACK DOOR SIDE FEMALE STOPPER SUB-ASSEMBLY**

**LH**

- a. Install the back door side female stopper sub-assembly with the 2 bolts.

**Torque: 7.0 N\*m (71 kgf\*cm, 62 in.\*lbf)**

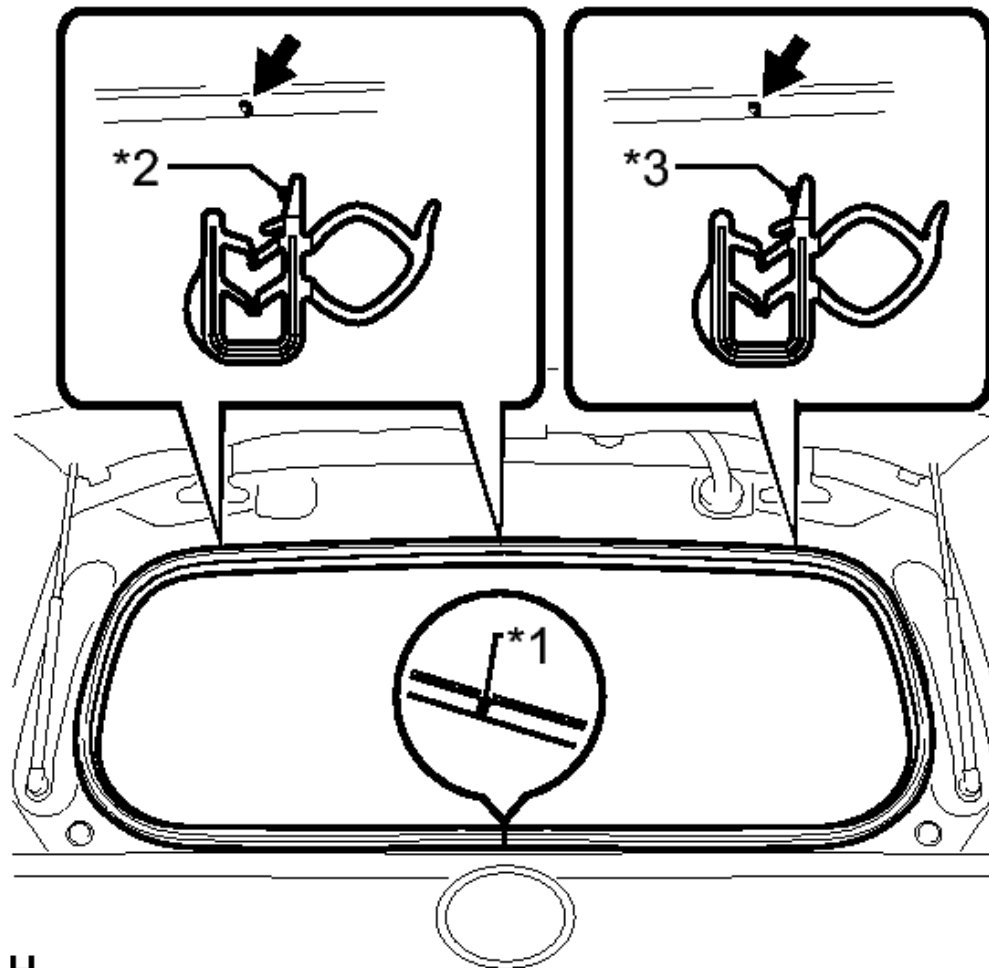


**H**

**Fig. 212: Identifying Back Door Side Female Stopper Bolts**  
Courtesy of TOYOTA MOTOR SALES, U.S.A., INC.

**23. INSTALL NO. 2 BACK DOOR WEATHERSTRIP**

- a. Align the alignment mark on the weatherstrip with the protruding portion on the body indicated by the arrow in the illustration and install the No. 2 back door weatherstrip.



H

**Fig. 213: Installing No. 2 Back Door Weatherstrip**  
 Courtesy of TOYOTA MOTOR SALES, U.S.A., INC.

**TEXT IN ILLUSTRATION**

*1	Joint of Weatherstrip
*2	Paint Mark (White)
*3	Paint Mark (Light Blue)

**NOTE:** After installation, check that the corners fit correctly.

24. **INSTALL SWITCH COVER** . Refer to **INSTALLATION [08/2013 - ] - Step 1**
25. **INSTALL GLASS HATCH OPENER SWITCH ASSEMBLY** . Refer to



**INSTALLATION [08/2013 - ] - Step 2**

26. **INSTALL LOWER BACK DOOR GARNISH SUB-ASSEMBLY OUTSIDE LH** . Refer to **INSTALLATION [08/2013 - ] - Step 3**
27. **INSTALL LOWER BACK DOOR GARNISH SUB-ASSEMBLY OUTSIDE RH**

- a. Clean the vehicle body surface.
1. Using a heat light, heat the vehicle body surface.

Standard

Item	Temperature
Vehicle body	40 to 60°C (104 to 140°F)

**NOTE: Do not heat the vehicle body excessively.**

2. Wipe off any tape adhesive residue with cleaner.
- b. Install a new rear lower back door garnish sub-assembly outside RH.
1. Using a heat light, heat the vehicle body and a new rear lower back door garnish sub-assembly outside RH.
  2. Remove the release paper from the face of the rear lower back door garnish sub-assembly outside RH.

**HINT:**

After removing the release paper, keep the exposed adhesive free from foreign matter.

- c. Attach the 4 claws to install the rear lower back door garnish sub-assembly outside RH, and then install the screw.
28. **INSTALL LOWER BACK DOOR OUTSIDE GARNISH MOLDING LH** . Refer to **INSTALLATION [08/2013 - ] - Step 4**
29. **INSTALL LOWER BACK DOOR OUTSIDE GARNISH MOLDING RH**
- a. Attach the 5 claws to install the lower back door outside garnish molding RH.
30. **INSTALL REAR TELEVISION CAMERA ASSEMBLY** . Refer to **INSTALLATION [08/2013 - ] - Step 1**

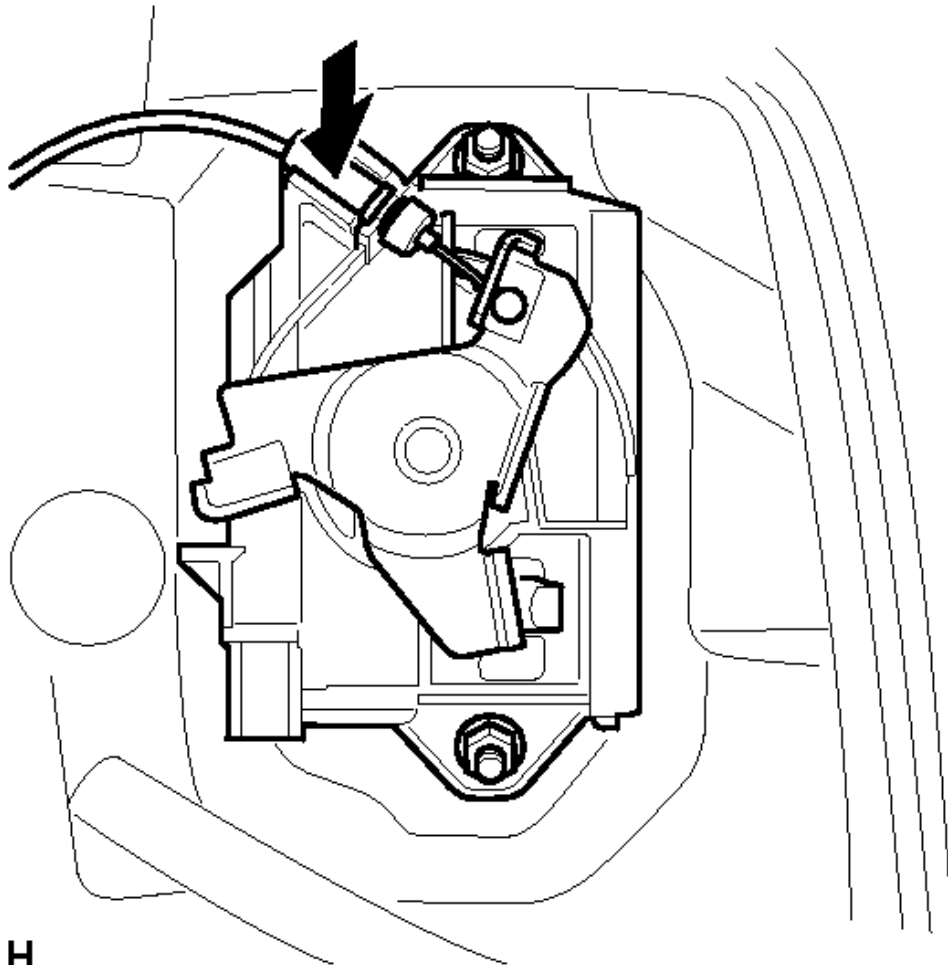
**31. INSTALL BACK DOOR OUTSIDE HANDLE LH**

- a. Install the back door outside handle with the 2 nuts.

**Torque: 5.0 N\*m (51 kgf\*cm, 44 in.\*lbf)**

**32. INSTALL BACK DOOR LOCK CONTROL CABLE ASSEMBLY**

- a. Install the cable.



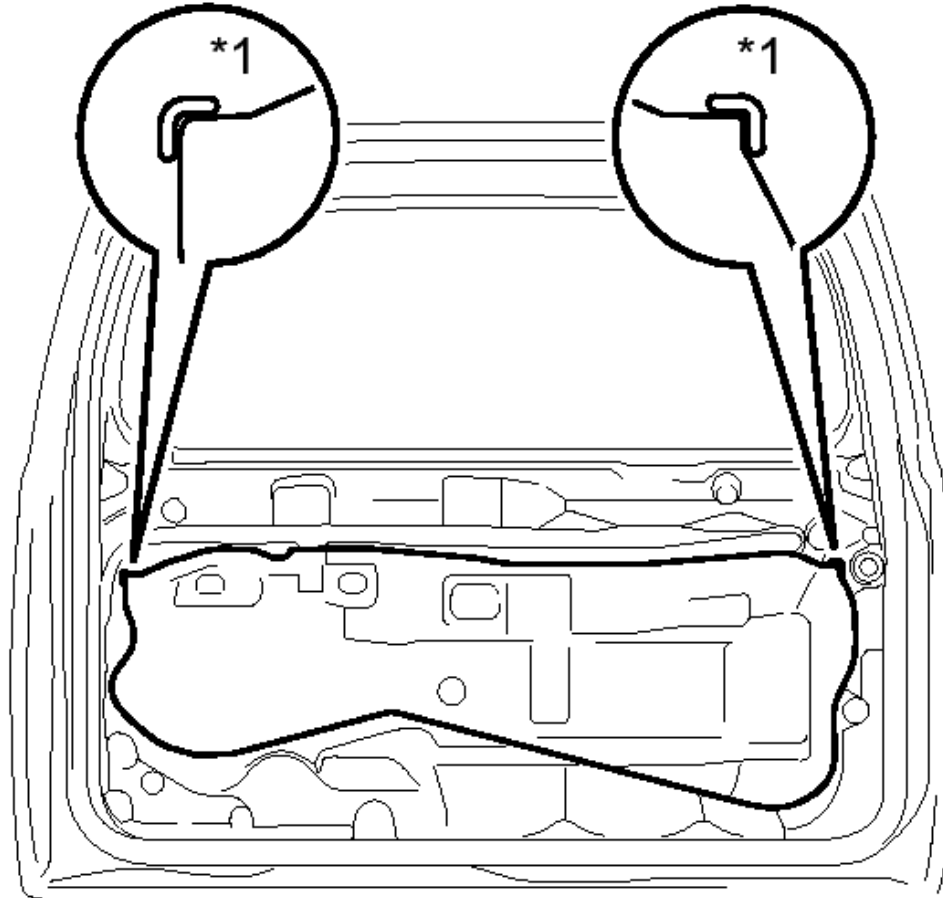
**H**

**Fig. 214: Installing Back Door Lock Control Cable**  
Courtesy of TOYOTA MOTOR SALES, U.S.A., INC.

**33. INSTALL BACK DOOR LOCK ASSEMBLY . Refer to INSTALLATION [08/2013 - ] - Step 1**

**34. INSTALL BACK DOOR SERVICE HOLE COVER**

- a. Apply new butyl tape to the back door panel.



H

**Fig. 215: Identifying Back Door Service Hole Cover Reference Points**

Courtesy of TOYOTA MOTOR SALES, U.S.A., INC.

- b. Attach the rear door service hole cover using to the reference points on the rear door panel.

**TEXT IN ILLUSTRATION**

*1	Reference Point
----	-----------------

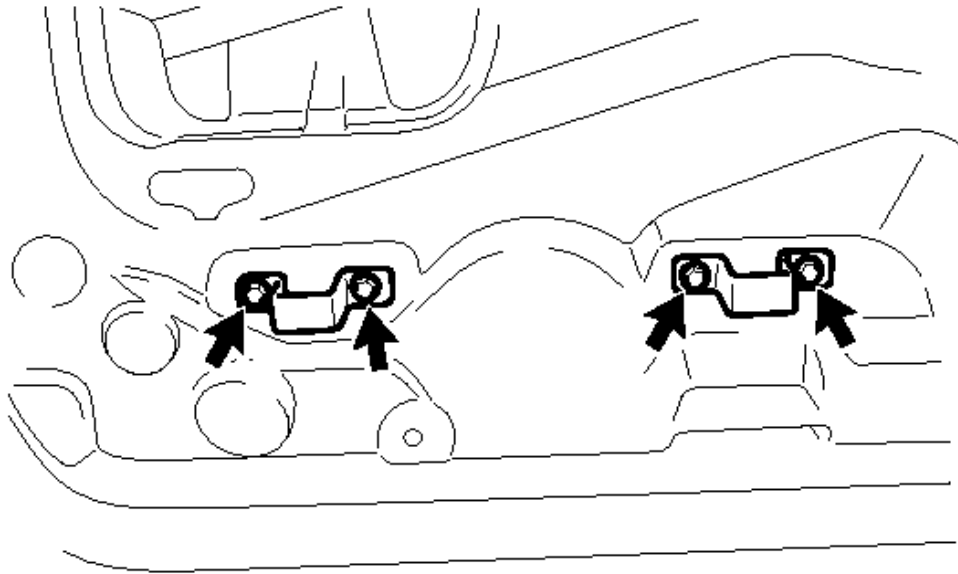
**NOTE:**

- There should be no wrinkles or folds after attaching the service hole cover.

- After attaching the service hole cover, check the seal quality.

**35. INSTALL TOOL BOX BRACKET**

- a. Install the 2 tool box brackets with the 4 bolts.



**H**

**Fig. 216: Identifying Tool Box Bracket Bolts**  
Courtesy of TOYOTA MOTOR SALES, U.S.A., INC.

**36. INSTALL BACK DOOR TRIM PANEL ASSEMBLY**

- a. Attach the 15 clips to install the back door trim panel assembly.
- b. Install the bolt.
- c. Install the screw.
- d. Attach the claw to install the cover.

**37. INSTALL BACK DOOR LOCK COVER**

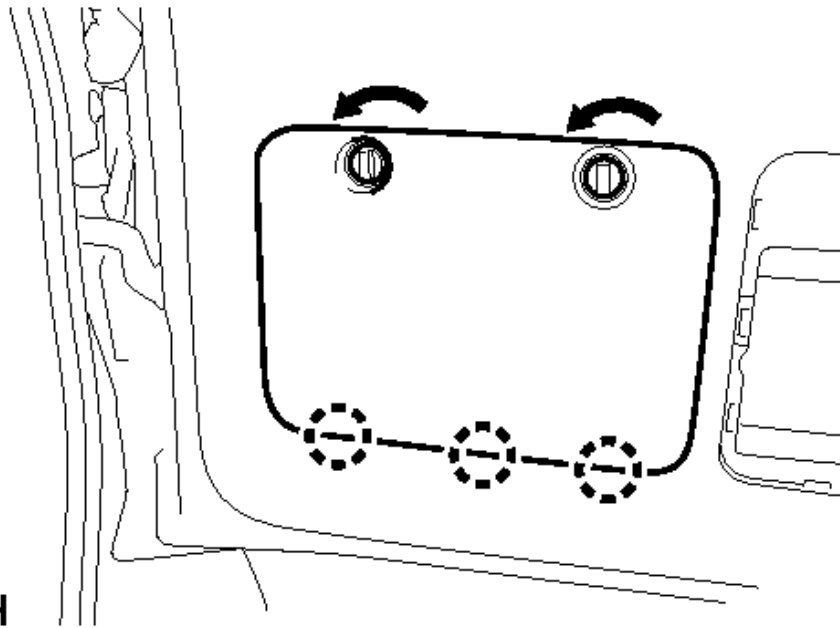
- a. Attach the 6 claws to install the back door lock cover.

**38. INSTALL TOOL CASE**

- a. Attach the 2 claws to install the tool case.

**39. INSTALL UPPER TOOL BOX PANEL SUB-ASSEMBLY**

- a. Attach the 3 claws.

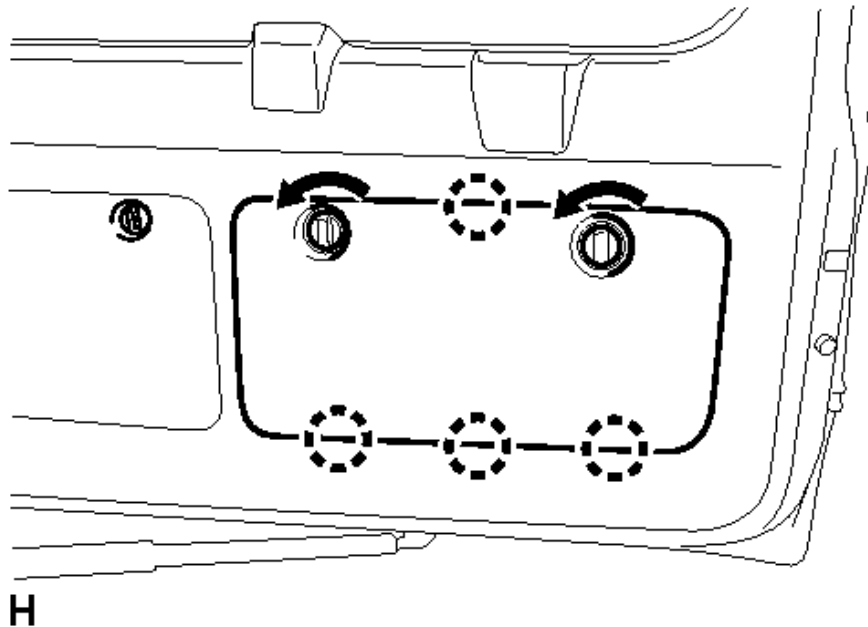


**Fig. 217: Installing Upper Tool Box Panel Sub-Assembly**  
Courtesy of TOYOTA MOTOR SALES, U.S.A., INC.

- b. Install the upper tool box panel sub-assembly as shown in the illustration.

#### 40. INSTALL BACK DOOR TRIM COVER

- a. Attach the 4 claws.



**Fig. 218: Installing Back Door Trim Cover**  
**Courtesy of TOYOTA MOTOR SALES, U.S.A., INC.**

- b. Install the back door trim cover as shown in the illustration.
- 41. **INSTALL BACK DOOR SIDE GARNISH LH**
  - a. Attach the 2 clips and claw to install the back door side garnish.
- 42. **INSTALL BACK DOOR SIDE GARNISH RH**
  - a. Attach the 2 clips and claw to install the back door side garnish.
- 43. **INSTALL BACK DOOR CENTER GARNISH**
  - a. Attach the 4 clips to install the back door center garnish.

**FUEL LID OPENER MOTOR ASSEMBLY**

COMPONENTS [08/2013 - ]

ILLUSTRATION