

Last Modified: 2-5-2018	6.8:8.0.48	Doc ID: RM00000467300WX
Model Year Start: 2014	Model: GX460	Prod Date Range: [08/2013 -]
Title: SEAT: FRONT SEAT ASSEMBLY: DISASSEMBLY; 2014 MY GX460 [08/2013 -]		

DISASSEMBLY

CAUTION:

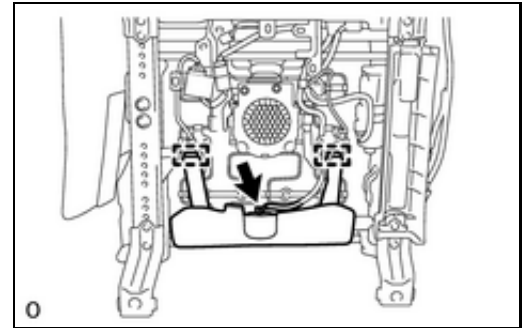
Wear protective gloves. Sharp areas on the parts may injure your hands.

HINT:

- Use the same procedure for the RH and LH sides.
- The procedure listed below is for the LH side.

1. REMOVE FRONT SEATBACK BOARD SUB-ASSEMBLY LH

(a) Detach the 2 hooks and disconnect the 2 rubber bands.

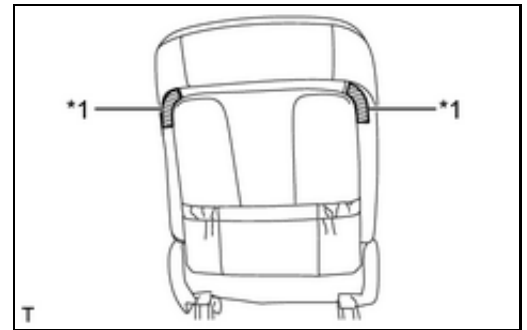


(b) Disconnect the connector of the No. 1 interior illumination light assembly.

(c) Apply protective tape to the locations shown in the illustration.

Text in Illustration

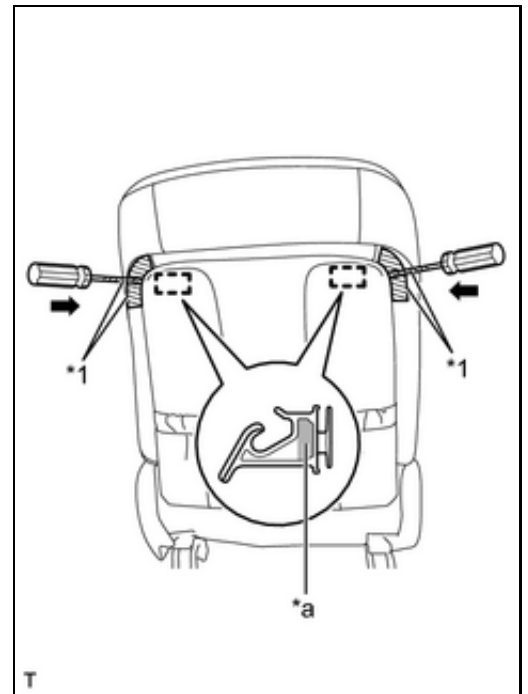
*1	Protective Tape
----	-----------------



(d) Insert a screwdriver between the front seatback board sub-assembly LH and separate type front seatback assembly.

HINT:

Tape the screwdriver tip before use.



(e) Place the screwdriver at point A shown in the illustration and move the screwdriver in the direction of the arrow to detach the 2 guides and remove the 2 front seatback board clips from the front seatback board sub-assembly LH.

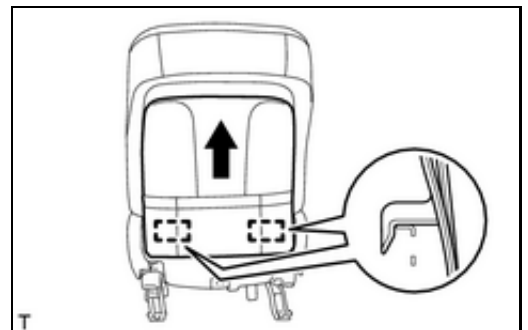
Text in Illustration

*1	Protective Tape
*a	Point A

NOTICE:

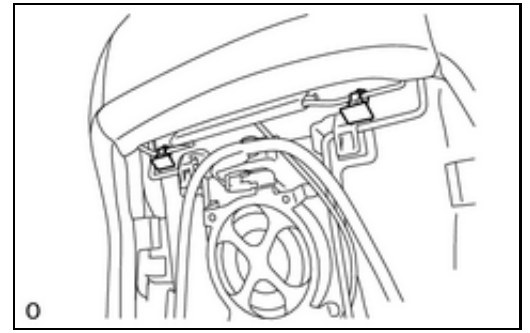
Do not reuse the front seatback board clips after removing it.

(f) Move the front seatback board sub-assembly LH in the direction of the arrow to detach the 2 guides and remove the front seatback board sub-assembly LH.



2. REMOVE FRONT SEATBACK BOARD CLIP

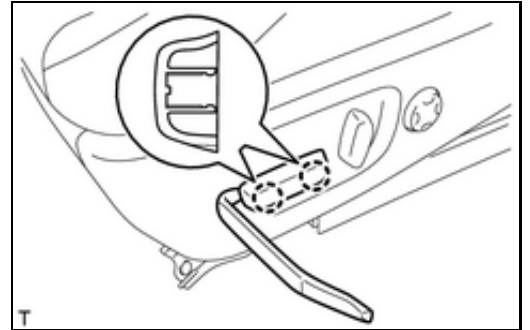
- (a) Remove the 2 front seatback board clips from the separate type front seatback spring assembly.



3. REMOVE NO. 1 INTERIOR ILLUMINATION LIGHT ASSEMBLY INFO

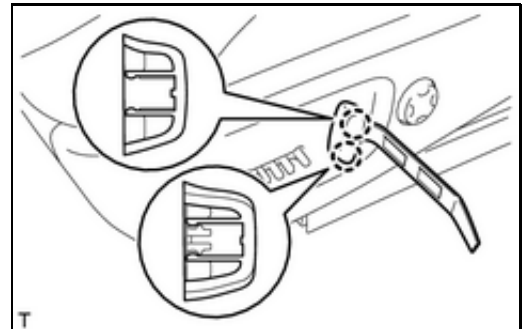
4. REMOVE SLIDE AND VERTICAL POWER SEAT SWITCH KNOB

- (a) Using moulding remover A, detach the 2 claws and remove the slide and vertical power seat switch knob.



5. REMOVE RECLINING POWER SEAT SWITCH KNOB

- (a) Using moulding remover A, detach the 2 claws and remove the reclining power seat switch knob.



6. REMOVE FRONT SEAT CUSHION SHIELD LH

- (a) Remove the screw of the front seat No. 1 inner cushion shield and detach the guide.
(b) Detach the clip of the front seat No. 1 inner cushion shield.
(c) Using a moulding remover, detach the 3 claws and guide.
(d) Move the cushion shield in the direction of the arrow to detach the clip and remove the front seat No. 1 inner cushion shield LH together with the front seat cushion shield LH as a unit.