

## REAR NO. 1 SEAT ASSEMBLY (for 60/40 Split Slide Walk-in Seat Type RH Side) > REMOVAL

for Preparation [Click here](#)

### CAUTION:

Wear protective gloves. Sharp areas on the parts may injure your hands.

### 1. DISCONNECT CABLE FROM NEGATIVE BATTERY TERMINAL

### CAUTION:

Wait at least 90 seconds after disconnecting the cable from the negative (-) battery terminal to disable the SRS system.

### NOTICE:

- **w/ Navigation System (for HDD):**  
After the engine switch is turned off, the display and navigation module display (HDD navigation system) records various types of memory and settings. As a result, after turning the engine switch off, be sure to wait for the time specified in the following table before disconnecting the cable from the negative (-) battery terminal.

#### Waiting Time before Disconnecting Cable from Negative (-) Battery Terminal:

Condition	Waiting Time
Vehicle enrolled in G-BOOK system	6 minutes
Vehicle not enrolled in G-BOOK system	1 minute

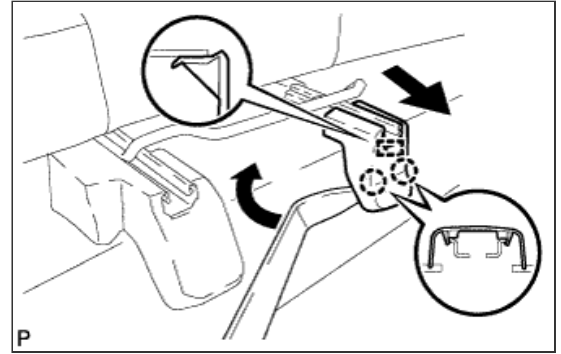
- **When disconnecting the cable, some systems need to be initialized after the cable is reconnected ([Click here](#)).**

### 2. REMOVE REAR SEAT HEADREST ASSEMBLY

- a. Remove the headrest.

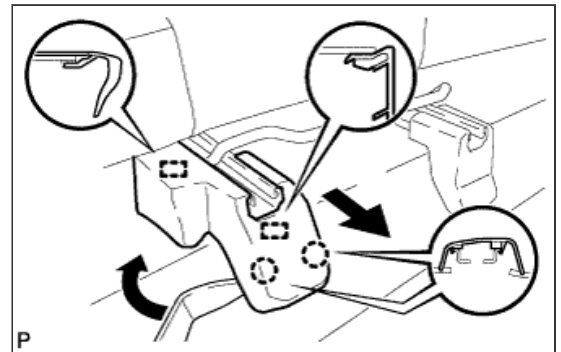
### 3. REMOVE REAR SEAT TRACK INNER BRACKET COVER

- a. Using a moulding remover, detach the 2 claws and guide, and then remove the cover.



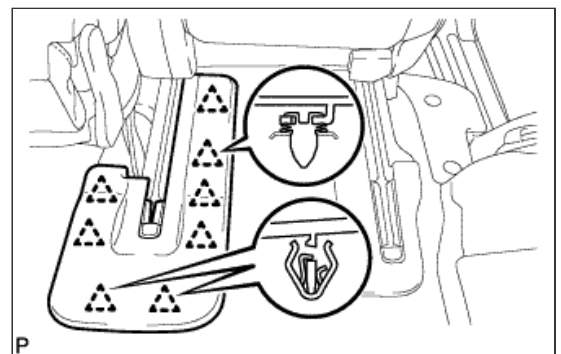
#### 4. REMOVE REAR SEAT TRACK OUTER BRACKET COVER

- a. Using a moulding remover, detach the 2 claws.
- b. Move the cover in the direction of the arrow to detach the 2 guides and remove the cover.



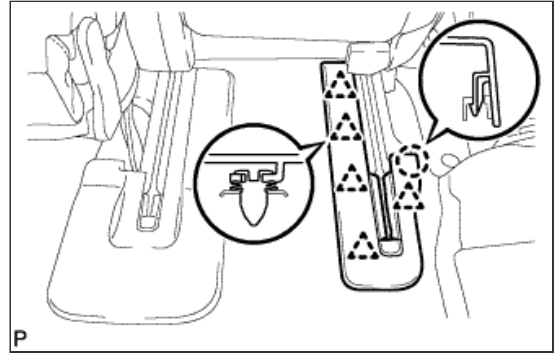
#### 5. REMOVE SEAT TRACK INNER BRACKET COVER RH

- a. Using a clip remover, detach the 8 clips and remove the cover.



#### 6. REMOVE SEAT TRACK COVER RH

- a. Using a clip remover, detach the 5 clips and claw, and then remove the cover.



## 7. REMOVE REAR SEAT ASSEMBLY RH

- a. Disconnect the center inner seat belt from the seat.
- b. Disconnect the side airbag connector.
- c. w/ Seat Heater System:  
Disconnect the seat heater connector.
- d. Remove the 5 bolts and nut.
- e. Remove the rear seat.

### NOTICE:

Be careful not to damage the vehicle body.

### HINT:

Be sure to remove the seat with the seatback folded down.

