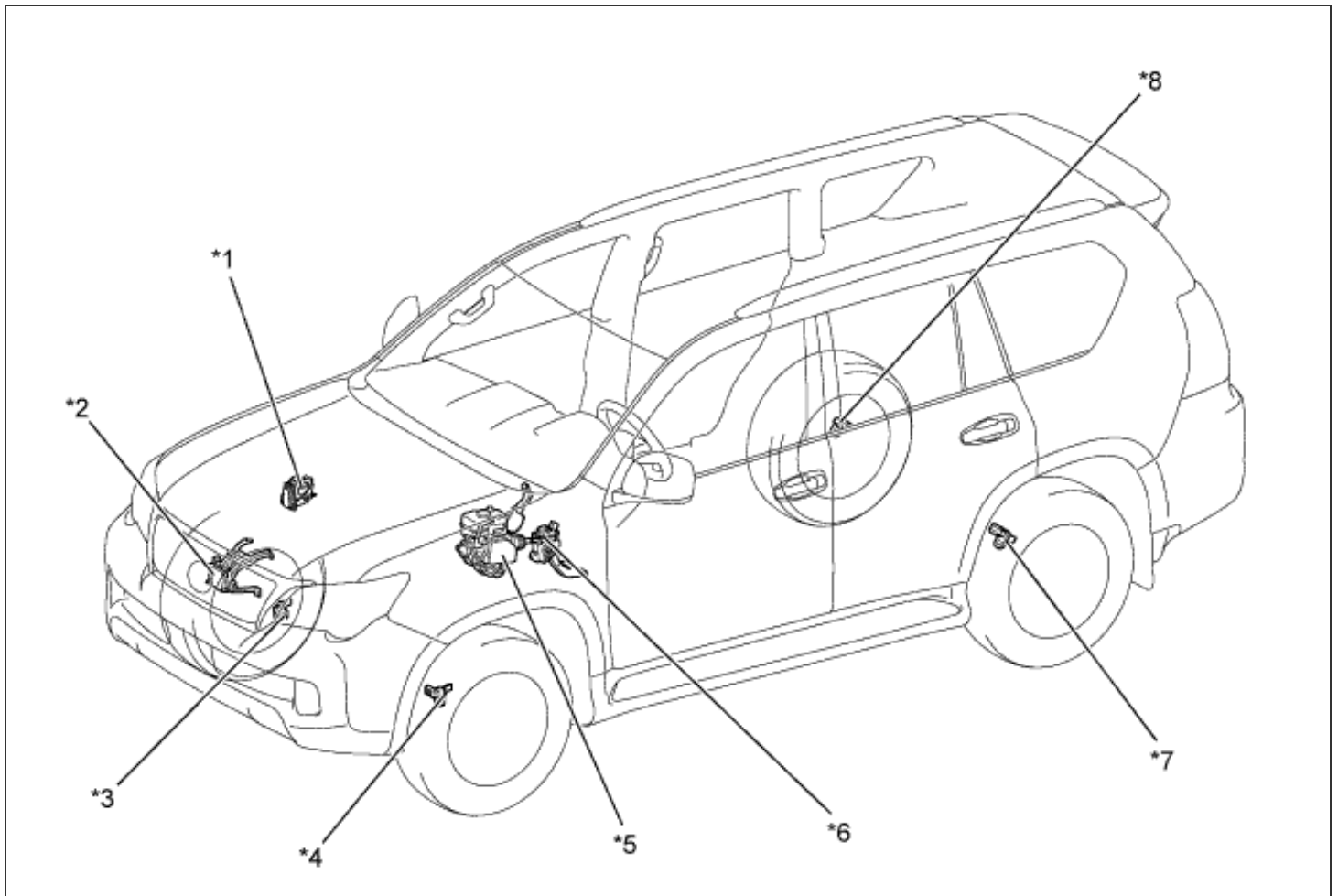
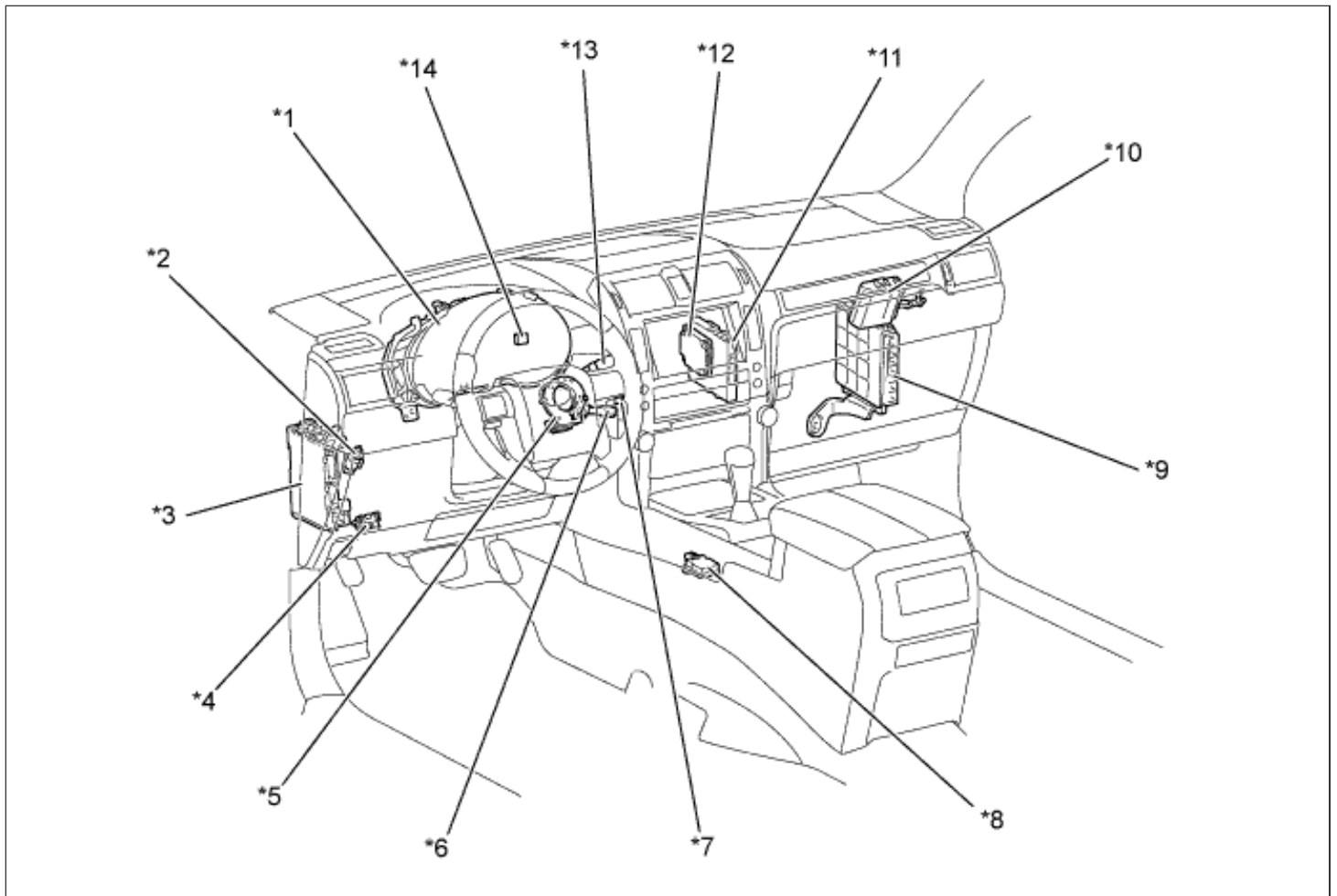


DYNAMIC RADAR CRUISE CONTROL SYSTEM > PARTS LOCATION



Text in Illustration

*1	Throttle Body - Throttle Control Motor - Throttle Position Sensor	*2	Millimeter Wave Radar Sensor Assembly
*3	Front Speed Sensor RH	*4	Front Speed Sensor LH
*5	Skid Control ECU	*6	Accelerator Pedal Sensor Assembly
*7	Rear Speed Sensor LH	*8	Rear Speed Sensor RH



Text in Illustration

*1	Combination Meter Assembly	*2	Stop Light Switch Assembly
*3	Main Body ECU (Driver Side Junction Block Assembly)	*4	DLC3
*5	Steering Angle Sensor	*6	Cruise Control Main Switch
*7	Distance Control Switch	*8	Yaw Rate Sensor
*9	ECM	*10	4WD Control ECU
*11	Power Management Control ECU	*12	Driving Support ECU
*13	Windshield Wiper Switch Assembly	*14	Skid Control Buzzer Assembly

