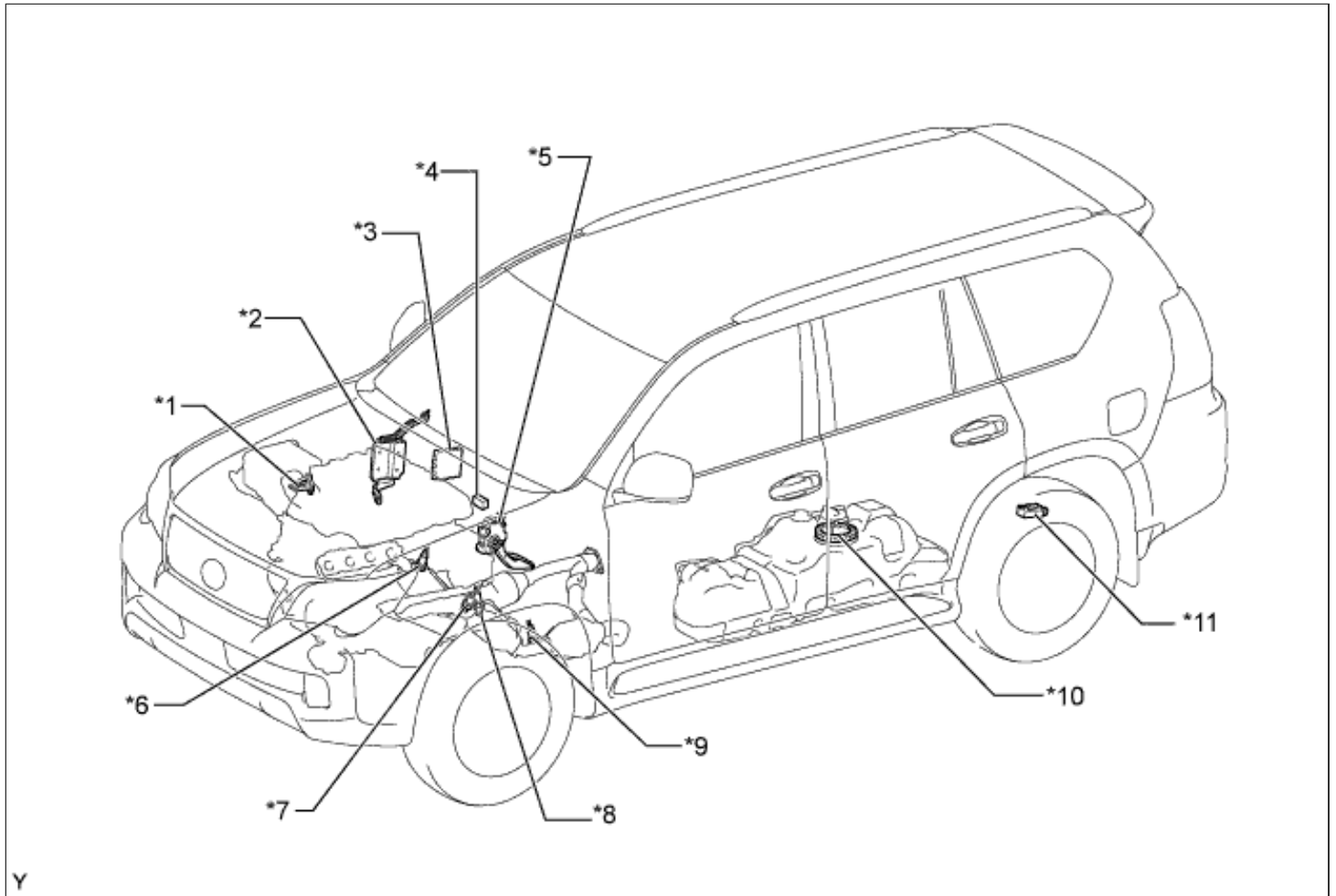
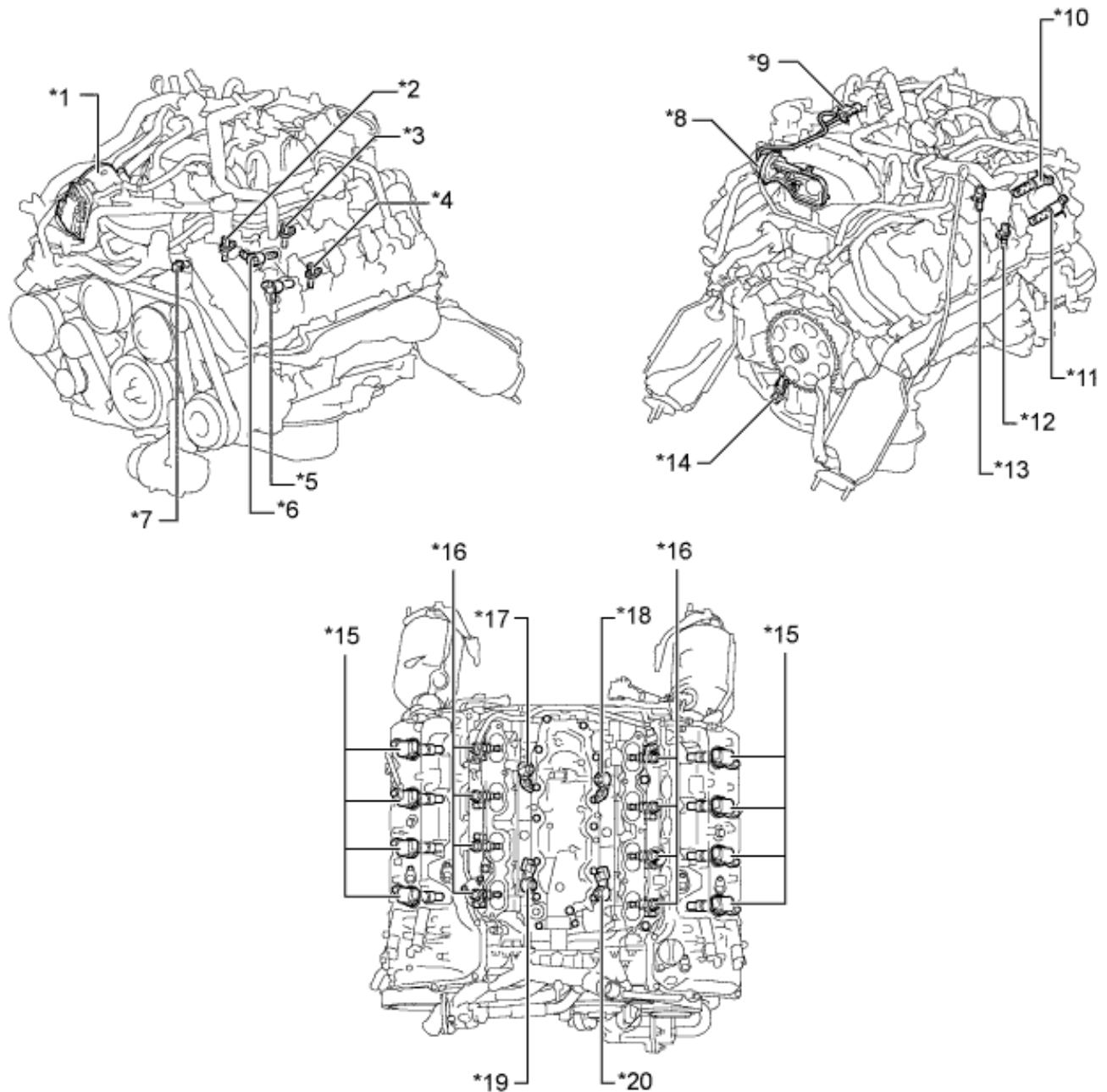


SFI SYSTEM > PARTS LOCATION



Text in Illustration

*1	Mass Air Flow Meter	*2	ECM
*3	Power Management Control ECU	*4	DLC3
*5	Accelerator Pedal Position Sensor	*6	Air Fuel Ratio Sensor (Bank 2, Sensor 1)
*7	Oxygen Sensor (Bank 2, Sensor 2)	*8	Air Fuel Ratio Sensor (Bank 1, Sensor 1)
*9	Oxygen Sensor (Bank 1, Sensor 2)	*10	Fuel Pump
*11	Fuel Pump ECU	-	-



Text in Illustration

*1	Throttle Body Assembly - Throttle Position Sensor - Throttle Control Motor	*2	Camshaft Position Sensor
*3	VVT Sensor (Bank 1, Intake)	*4	VVT Sensor (Bank 1, Exhaust)
*5	Camshaft Timing Oil Control Valve Assembly (Bank 1, Exhaust)	*6	Camshaft Timing Oil Control Valve Assembly (Bank 1, Intake)
*7	Engine Coolant Temperature Sensor	*8	ACIS Actuator
*9	VSV for ACIS	*10	Camshaft Timing Oil Control Valve Assembly (Bank 2, Intake)
*11	Camshaft Timing Oil Control Valve	*12	VVT Sensor (Bank 2, Exhaust)

	Assembly (Bank 2, Exhaust)		
*13	VVT Sensor (Bank 2, Intake)	*14	Crankshaft Position Sensor
*15	Ignition Coil with Igniter	*16	Fuel Injector Assembly
*17	Knock Control Sensor (Bank 2, Sensor 2)	*18	Knock Control Sensor (Bank 1, Sensor 2)
*19	Knock Control Sensor (Bank 2, Sensor 1)	*20	Knock Control Sensor (Bank 1, Sensor 1)