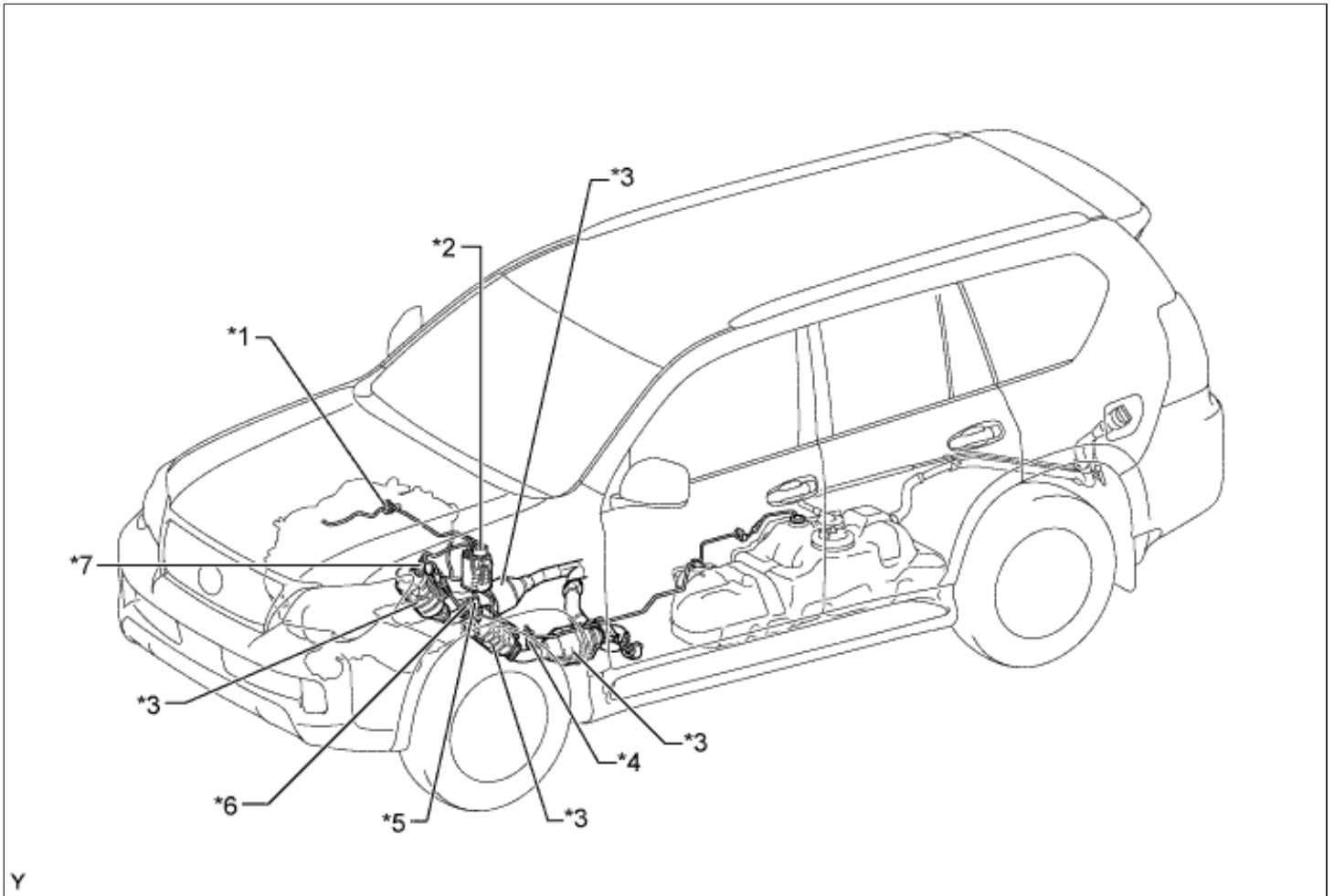
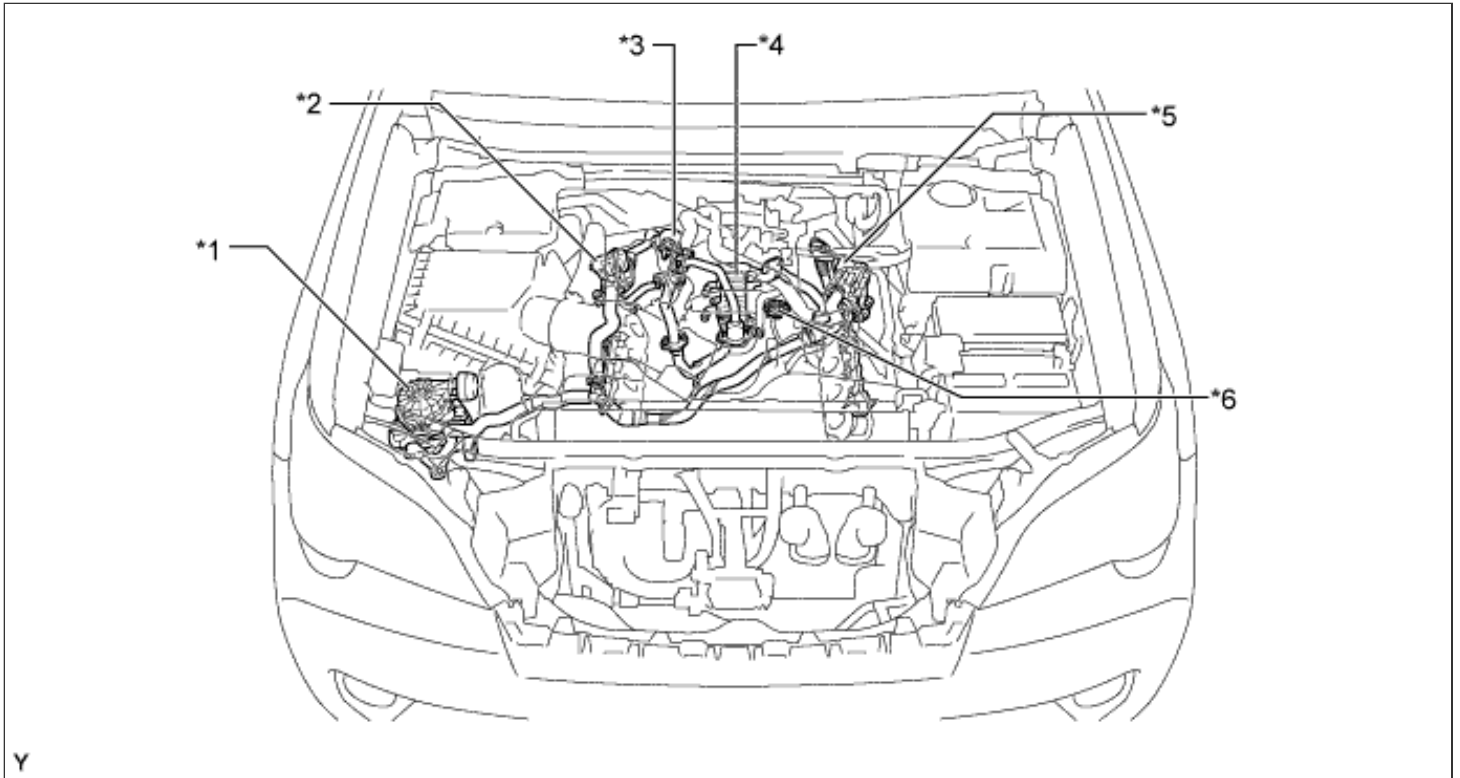


## EMISSION CONTROL SYSTEM > PARTS LOCATION



### Text in Illustration

*1	VSV for EVAP	*2	Charcoal Canister Assembly
*3	TWC	*4	Oxygen Sensor (Bank 1, Sensor 2)
*5	Air Fuel Ratio Sensor (Bank 1, Sensor 1)	*6	Oxygen Sensor (Bank 2, Sensor 2)
*7	Air Fuel Ratio Sensor (Bank 2, Sensor 1)	-	-



**Text in Illustration**

*1	Air Pump Assembly	*2	Air Switching Valve Assembly (Bank 2) - Air Pressure Sensor
*3	EGR Valve	*4	EGR Cooler
*5	Air Switching Valve Assembly (Bank 1) - Air Pressure Sensor	*6	Vacuum Sensor

