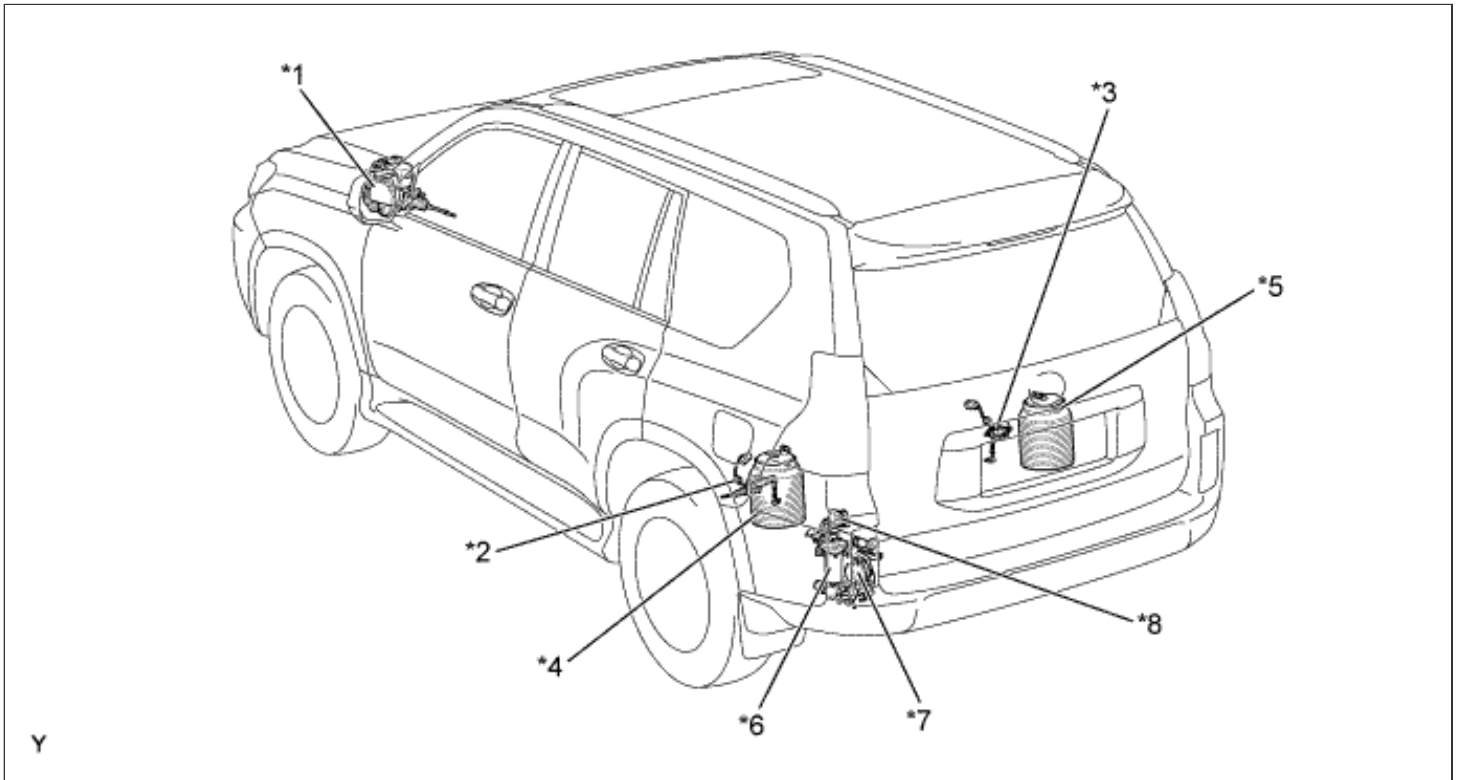
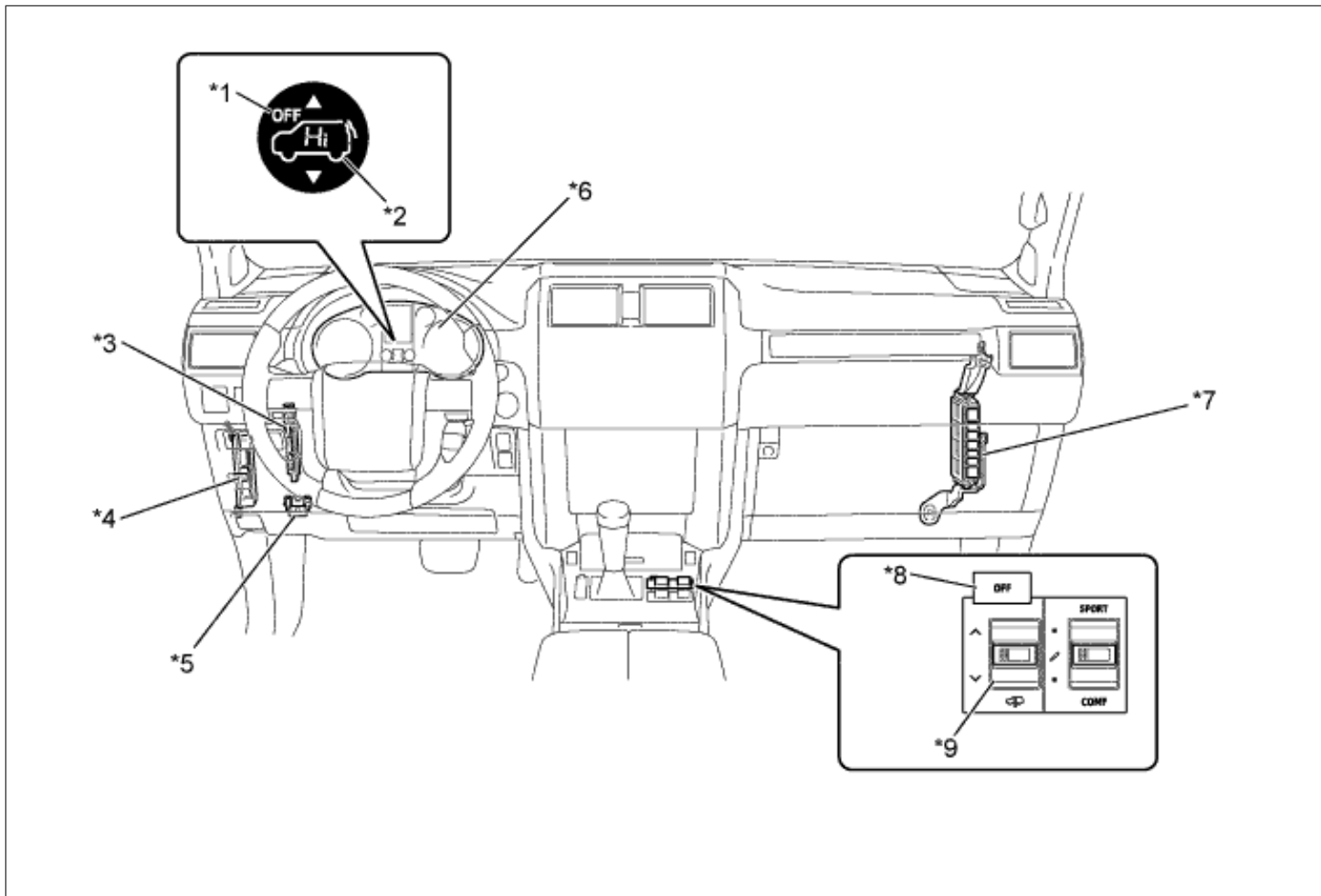


AIR SUSPENSION SYSTEM > PARTS LOCATION



Text in Illustration

*1	Hydraulic Brake Booster Assembly - Skid Control ECU	*2	Rear Height Control Sensor Sub-assembly LH
*3	Rear Height Control Sensor Sub-assembly RH	*4	Rear Pneumatic Cylinder Assembly LH
*5	Rear Pneumatic Cylinder Assembly RH	*6	Height Control Compressor Assembly - Height Control Compressor with Motor - Height Control Dryer Assembly - Exhaust Solenoid Valve
*7	Height Control Filter	*8	No. 2 Height Control Valve Assembly - Leveling Solenoid Valve - Gate Solenoid Valve



Text in Illustration

*1	Height Control Off Indicator	*2	Height Control Indicator
*3	Main Body ECU (Driver Side Junction Block Assembly)	*4	Suspension Control ECU
*5	DLC3	*6	Combination Meter Assembly - Multi-information Display - Master Warning Light - Multi Buzzer
*7	ECM	*8	Height Control OFF Switch
*9	Height Control Switch	-	-

