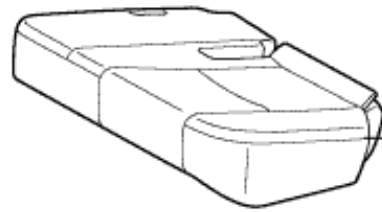


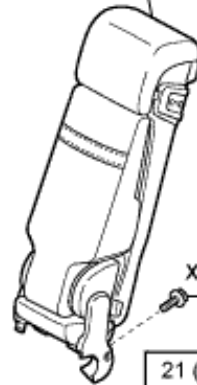
**REAR CENTER SEAT OUTER BELT ASSEMBLY (for 60/40 Split Slide Walk-in Seat
Type LH Side) > COMPONENTS**

for Preparation [Click here](#)

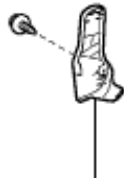


SEAT CUSHION COVER WITH PAD

CENTER SEATBACK ASSEMBLY

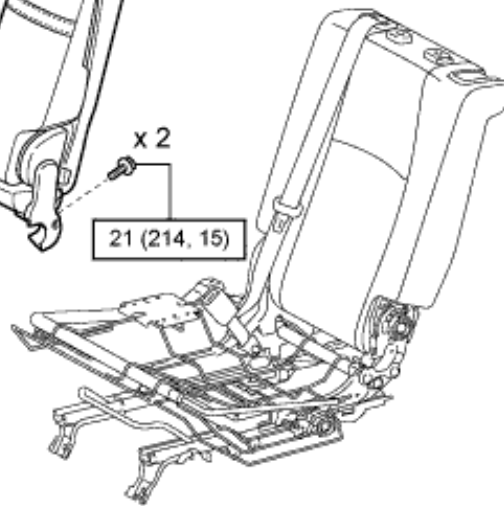


REAR SEAT CUSHION MOULDING LH



CENTER SEAT HINGE COVER RH

x 2
21 (214, 15)



REAR SEATBACK LOCK STRIKER COVER LH



RECLINING ADJUSTER RELEASE HANDLE LH



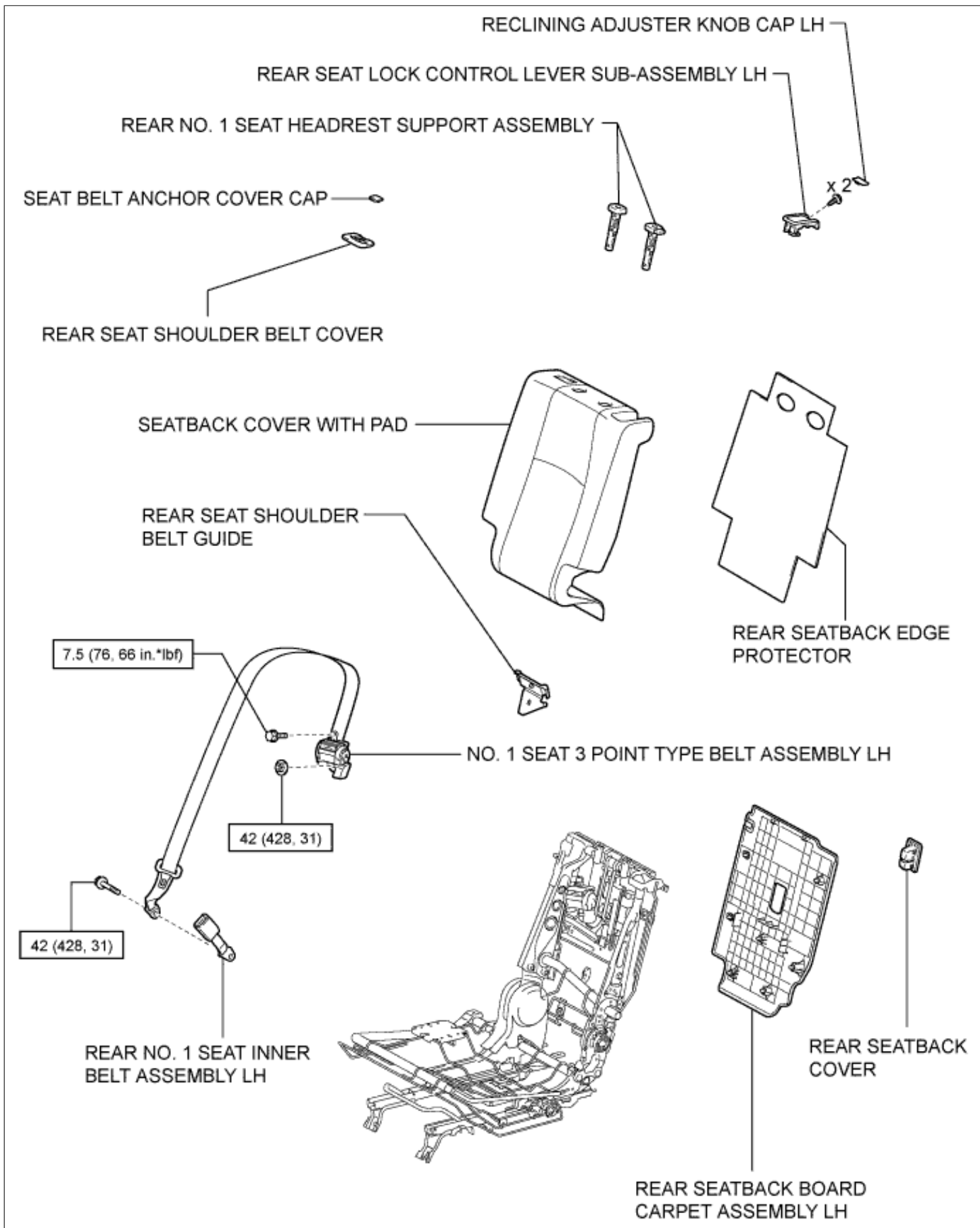
x 3

REAR SEAT UPPER RECLINING COVER LH



N*m (kgf*cm, ft.*lbf) : Specified torque

P



$\boxed{\text{N}\cdot\text{m} (\text{kgf}\cdot\text{cm}, \text{ft}\cdot\text{lbf})}$: Specified torque

P