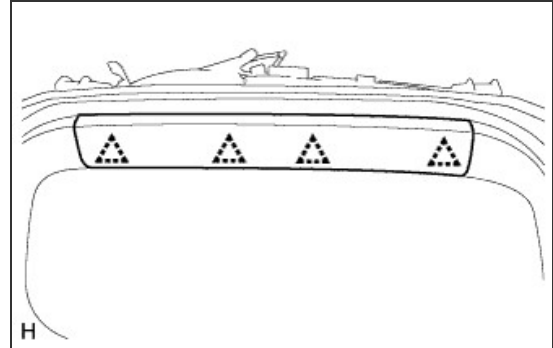


## BACK DOOR LOCK > REMOVAL

for Preparation [Click here](#)

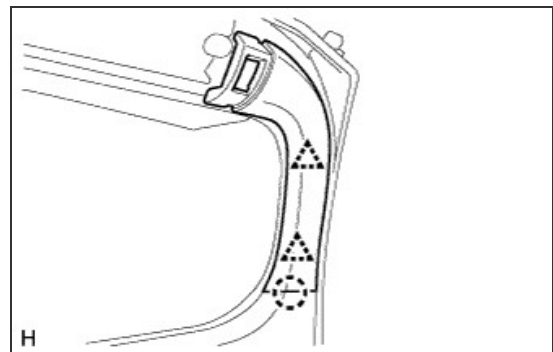
### 1. REMOVE BACK DOOR CENTER GARNISH

- a. Detach the 4 clips and remove the back door center garnish.



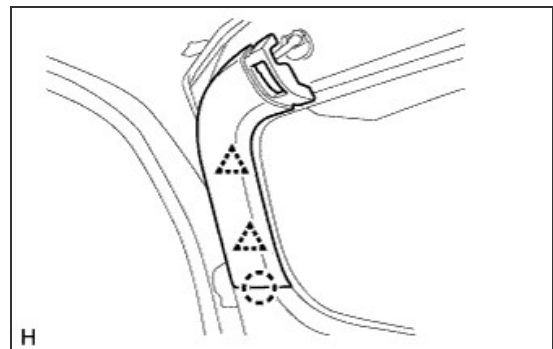
### 2. REMOVE BACK DOOR SIDE GARNISH LH

- a. Detach the 2 clips and claw and remove the back door side garnish.



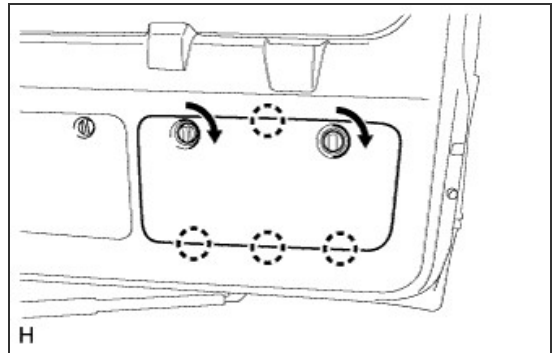
### 3. REMOVE BACK DOOR SIDE GARNISH RH

- a. Detach the 2 clips and claw and remove the back door side garnish.



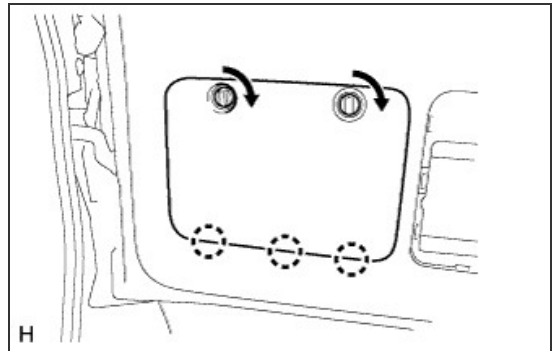
### 4. REMOVE BACK DOOR TRIM COVER

- a. Remove the back door trim cover as shown in the illustration.



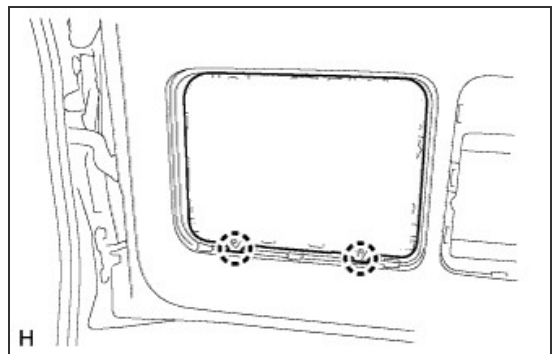
#### 5. REMOVE UPPER TOOL BOX PANEL SUB-ASSEMBLY

- a. Remove the upper tool box panel sub-assembly as shown in the illustration.



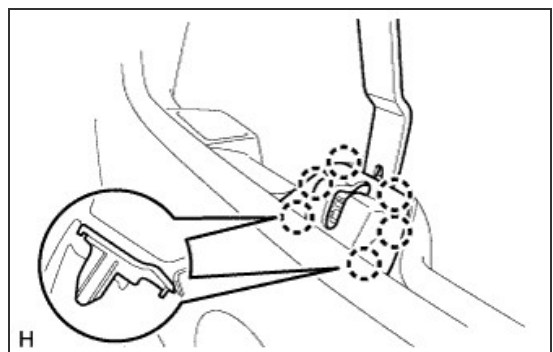
#### 6. REMOVE TOOL CASE

- a. Detach the 2 claws and remove the tool case.



#### 7. REMOVE BACK DOOR LOCK COVER

- a. Using moulding remover B, detach the clip and 6 claws and remove the back door lock cover.

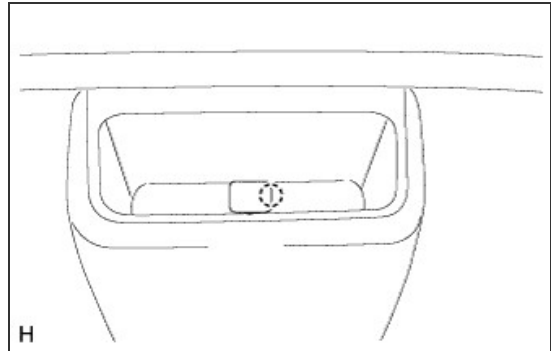


**8. REMOVE BACK DOOR TRIM PANEL ASSEMBLY**

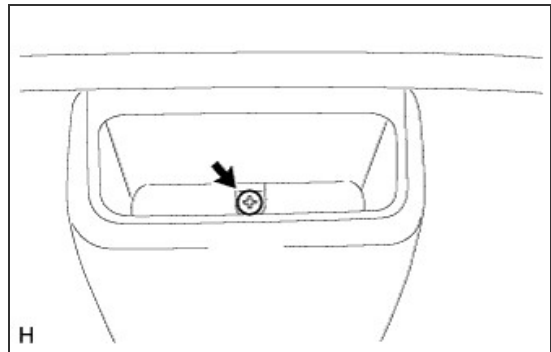
- a. Detach the claw and remove the cover.

**HINT:**

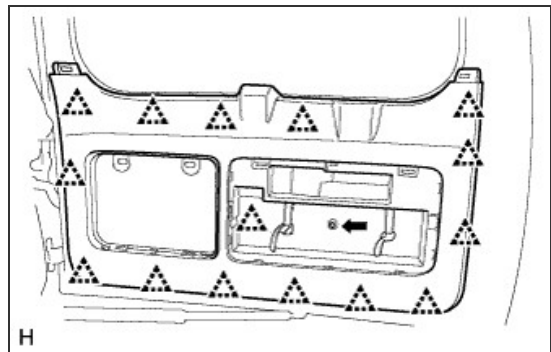
Tape the screwdriver tip before use.



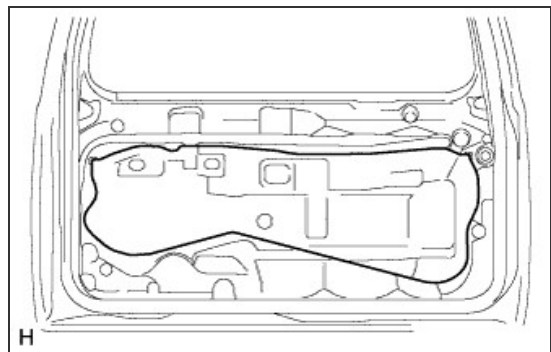
- b. Remove the screw.



- c. Remove the bolt.
- d. Detach the 15 clips and remove the back door trim panel assembly.

**9. REMOVE BACK DOOR SERVICE HOLE COVER**

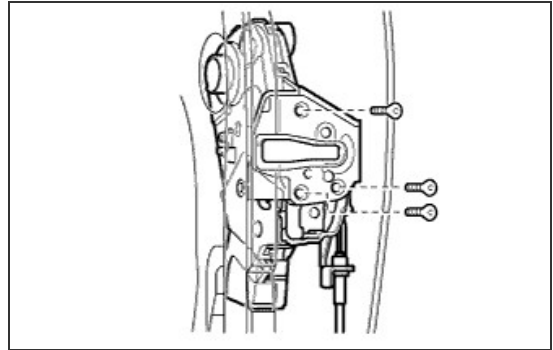
- a. Remove the service hole cover.

**10. REMOVE BACK DOOR LOCK ASSEMBLY**

- a. Disconnect the connector.
- b. Using a T30 "TORX" wrench, remove the 3 screws.

**NOTICE:**

Be careful when removing the bolts as the door lock may fall and become damaged.



- c. Disconnect the cable and remove the back door lock assembly.
- d. Remove the door lock wiring harness seal from the back door lock assembly.

