

## GENERATOR > DISASSEMBLY

for Preparation [Click here](#)

### 1. REMOVE GENERATOR PULLEY

a. Mount the generator in a vise between aluminum plates.

b. Install SST 1-A to the pulley shaft.

**SST**  
**09820-63011 (09820-06010, 09820-06021)**

**HINT:**


SST 1-A and B	09820-06010
SST 2	09820-06021

c. Insert SST 1-B to SST 1-A.

d. Hold SST 1-A with a torque wrench and turn SST 1-B clockwise with the specified torque.

**Torque:**  
**39 N\*m{ 398 kgf\*cm , 29 ft.\*lbf }**

**Text in Illustration**

*a	Hold
	Turn

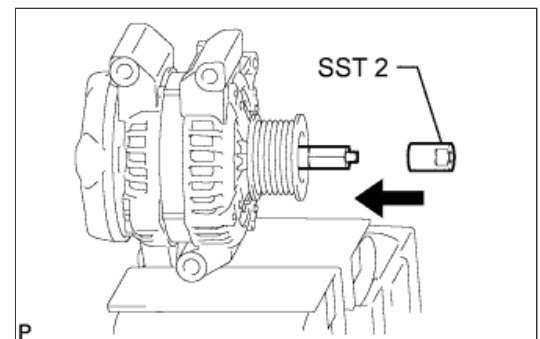
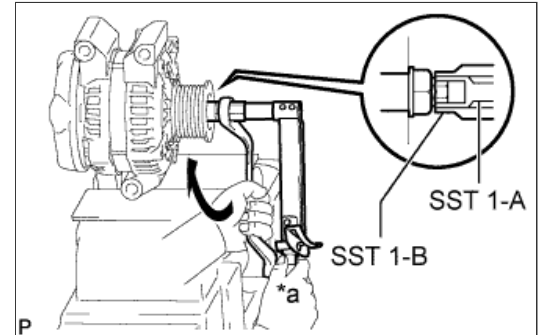
**NOTICE:**

Check that SST is secured on the rotor shaft.

e. Insert SST 2 and attach it to the pulley nut.

**Text in Illustration**

	Insert
---	--------



f. To loosen the pulley nut, turn SST 1-A in the direction shown in the illustration.

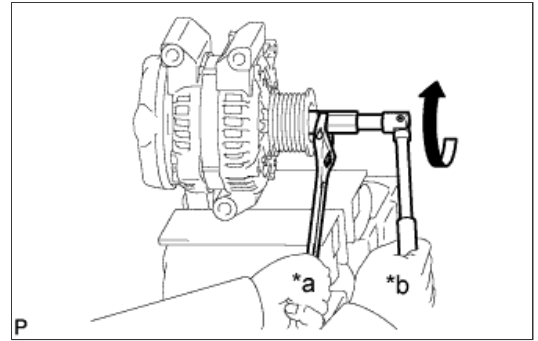
**NOTICE:**

To prevent damage to the rotor shaft, do not loosen the pulley nut more than one-half turn.

**Text in Illustration**


*a	Hold
*b	Turn

g. Remove SST 2 from the generator.

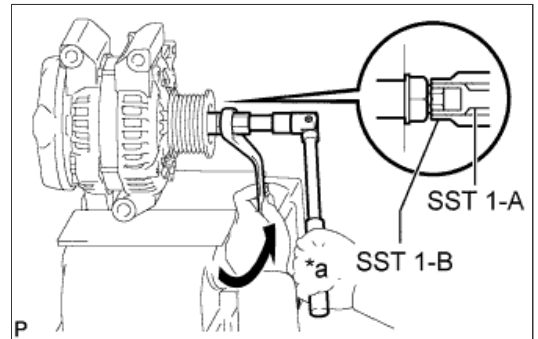


h. Turn SST 1-B in the direction shown in the illustration, and then remove SST 1-A and SST 1-B.

**Text in Illustration**

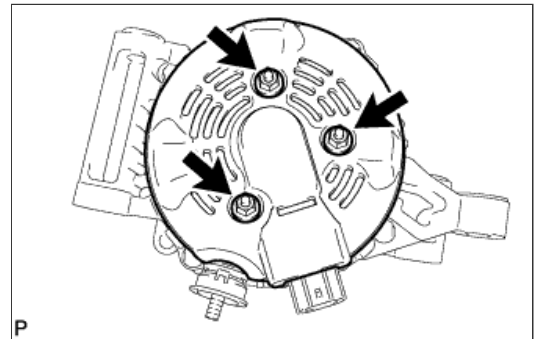
*a	Hold
	Turn

i. Remove the pulley nut and pulley.



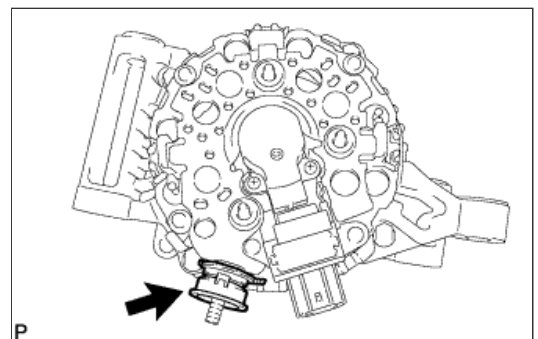
**2. REMOVE GENERATOR REAR END COVER**

a. Remove the 3 nuts and generator rear end cover.



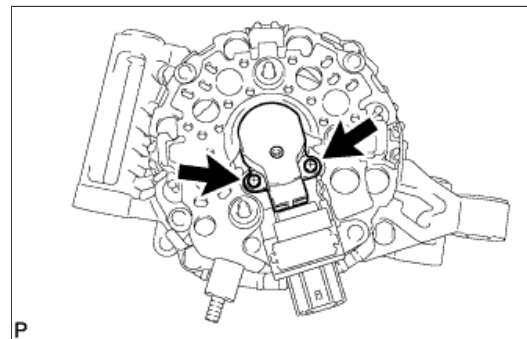
**3. REMOVE TERMINAL INSULATOR**

a. Remove the terminal insulator.



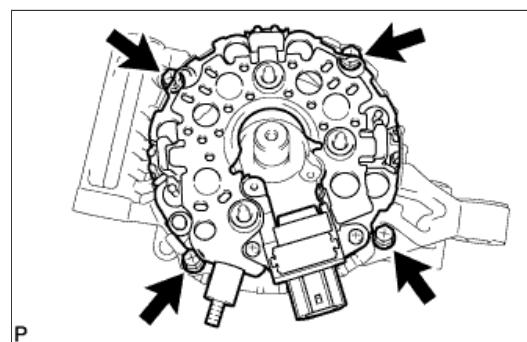
#### 4. REMOVE GENERATOR BRUSH HOLDER ASSEMBLY

- a. Remove the 2 screws and brush holder.



#### 5. REMOVE GENERATOR COIL ASSEMBLY

- a. Remove the 4 bolts.




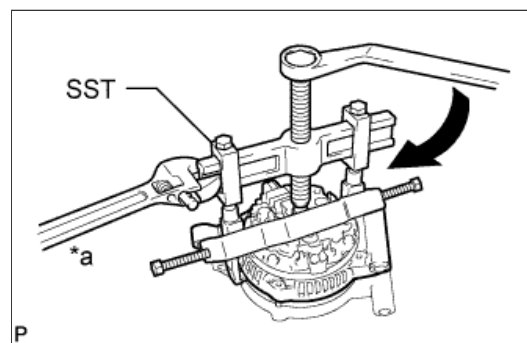
- b. Using SST, remove the generator coil assembly.

**SST**

**09950-40011 (09951-04020, 09952-04010, 09953-04020, 09954-04010, 09955-04071, 09957-04010, 09958-04011)**

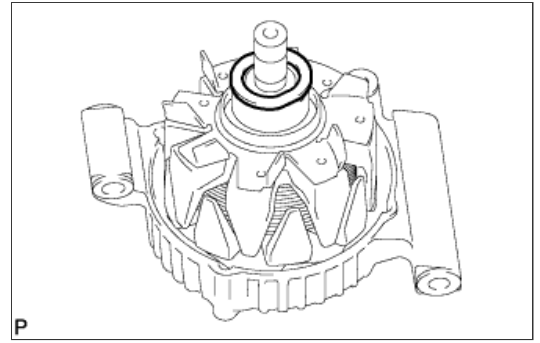
**Text in Illustration**

*a	Hold
	Turn

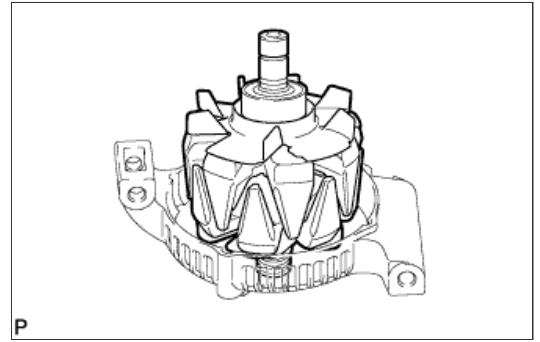


#### 6. REMOVE GENERATOR ROTOR ASSEMBLY

- a. Remove the generator washer.

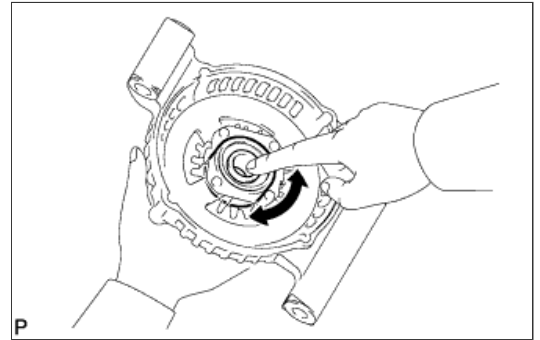


**b.** Remove the generator rotor assembly.



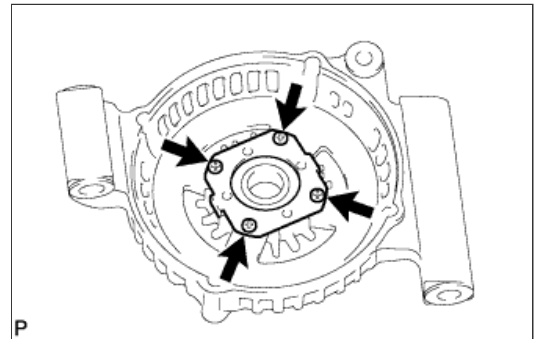
## 7. INSPECT GENERATOR DRIVE END FRAME BEARING

**a.** Check that the drive end frame bearing is not rough or worn.  
If necessary, replace the generator drive end frame bearing.



## 8. REMOVE GENERATOR DRIVE END FRAME BEARING

**a.** Remove the 4 screws and retainer plate.



**b.** Using SST and a hammer, tap out the bearing.

**SST**

**09950-60010 (09951-00250)**

**09950-70010 (09951-07100)**

