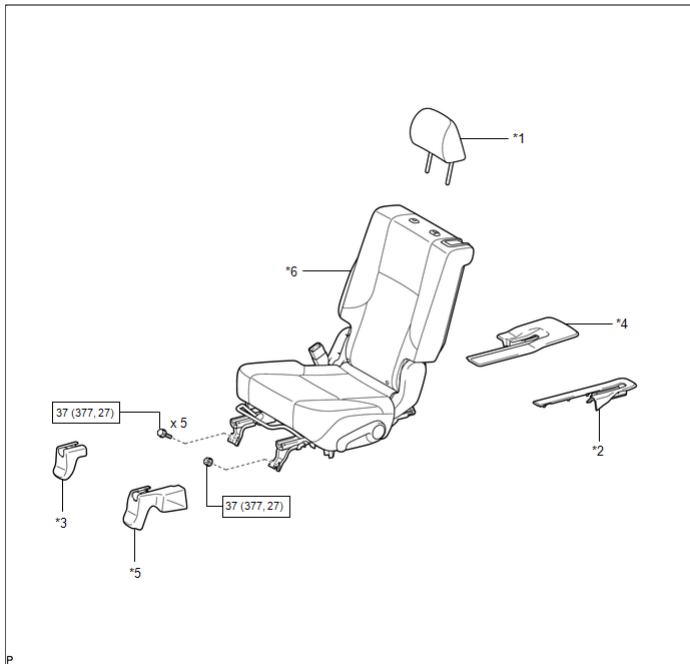


COMPONENTS; 2020 - 2021 MY GX460 [08/2019 -]

Last Modified: 10-23-2020	6.10:8.0.50	Doc ID: RM100000001JTE5
Model Year Start: 2020	Model: GX460	Prod Date Range: [08/2019 -]
Title: SEAT: REAR NO. 1 SEAT ASSEMBLY (for Separate Seat Type): COMPONENTS; 2020 - 2021 MY GX460 [08/2019 -]		

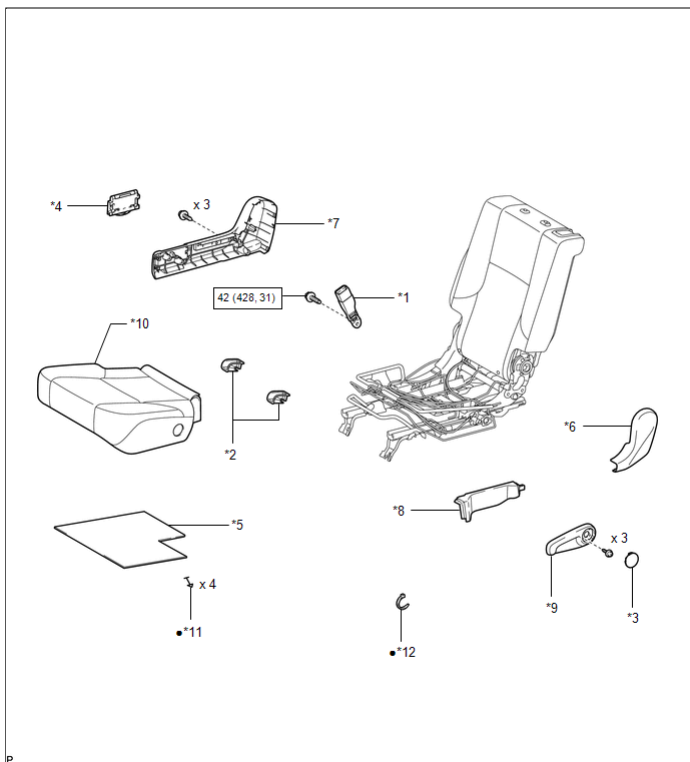
COMPONENTS

ILLUSTRATION

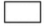


*1	REAR SEAT HEADREST ASSEMBLY	*2	REAR SEAT TRACK COVER RH
*3	REAR SEAT TRACK INNER BRACKET COVER	*4	REAR SEAT TRACK INNER BRACKET COVER RH
*5	REAR SEAT TRACK OUTER BRACKET COVER	*6	SEPARATE TYPE REAR SEAT ASSEMBLY
	N*m (kgf*cm, ft.*lbf): Specified torque	-	-

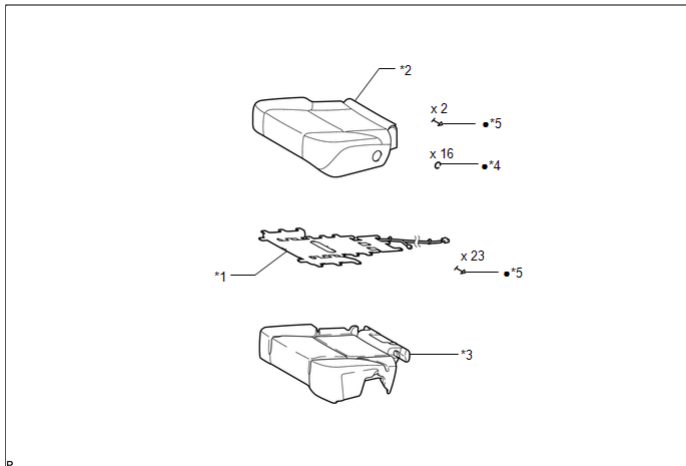
ILLUSTRATION



*1	REAR NO. 1 SEAT INNER BELT ASSEMBLY	*2	REAR NO. 2 SEAT PROTECTOR
----	-------------------------------------	----	---------------------------

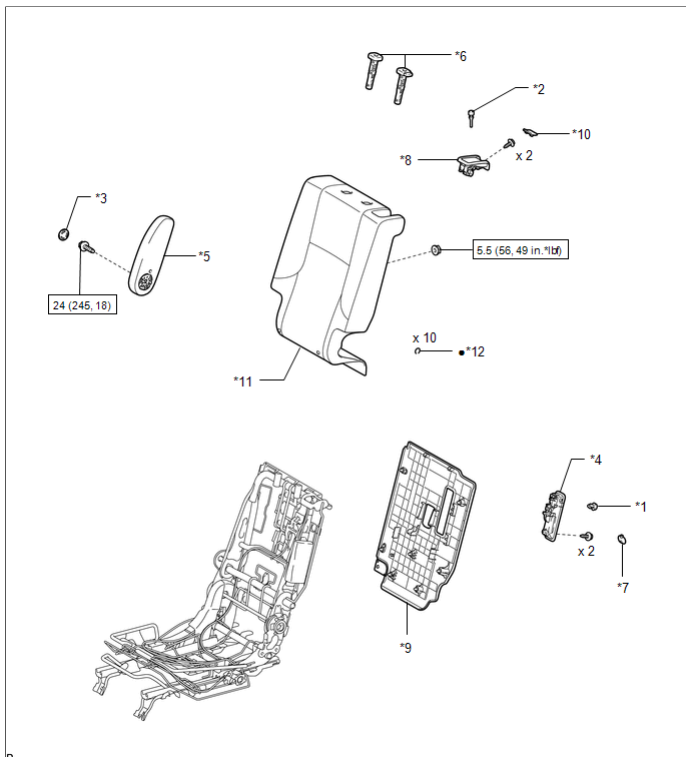
*7	REAR SEAT REAR CUSHION MOULDING RH	*8	REAR SEATBACK LOCK STRIKER COVER LH
*9	RECLINING ADJUSTER RELEASE HANDLE LH	*10	SEPARATE TYPE REAR SEAT CUSHION COVER WITH PAD
*11	TACK PIN	*12	CABLE TIE
	N*m (kgf*cm, ft.*lbf): Specified torque	•	Non-reusable part


ILLUSTRATION

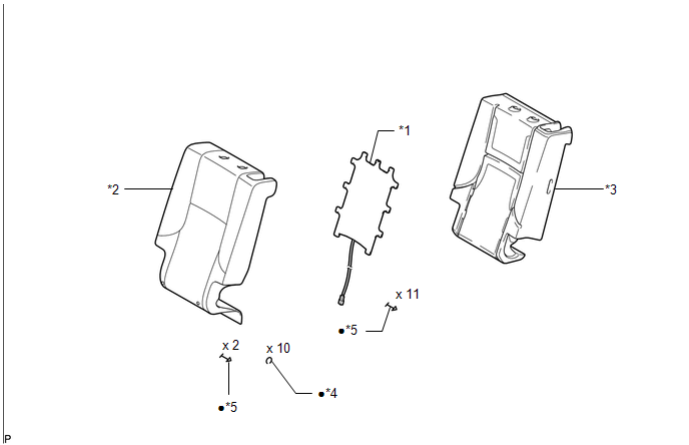


*1	REAR SEAT CUSHION HEATER ASSEMBLY	*2	SEPARATE TYPE REAR SEAT CUSHION COVER
*3	REAR SEAT CUSHION PAD LH	*4	HOG RING
*5	TACK PIN	-	-
•	Non-reusable part	-	-

ILLUSTRATION

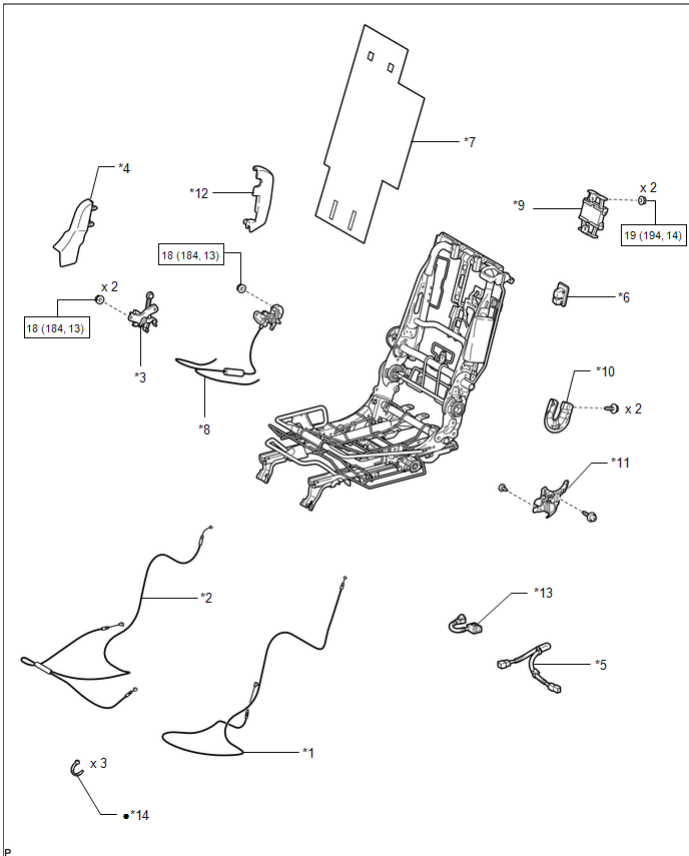


*1	CONSOLE COMPARTMENT DOOR CUSHION	*2	CUSHION
*3	NO. 1 SEAT ARMREST CAP	*4	REAR CENTER BACK LOCK CONTROL LEVER
*5	REAR NO. 1 SEAT ARMREST ASSEMBLY LH	*6	REAR NO. 1 SEAT HEADREST SUPPORT ASSEMBLY
*7	REAR SEAT COVER CAP	*8	REAR SEAT LOCK CONTROL LEVER SUB-ASSEMBLY LH
*9	REAR SEATBACK BOARD CARPET ASSEMBLY LH	*10	RECLINING ADJUSTER KNOB CAP LH
*11	SEPARATE TYPE REAR SEATBACK COVER WITH PAD	*12	HOG RING
	N*m (kgf*cm, ft.*lbf): Specified torque	•	Non-reusable part



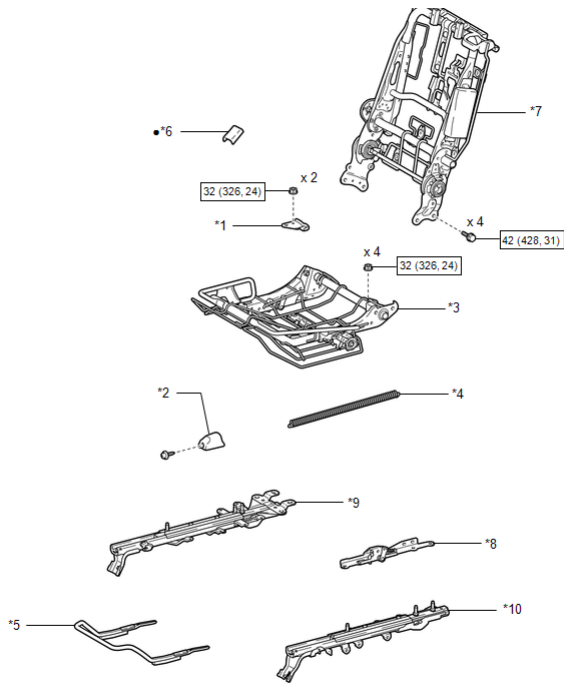
*1	REAR SEATBACK HEATER ASSEMBLY	*2	SEPARATE TYPE REAR SEATBACK COVER
*3	SEPARATE TYPE REAR SEATBACK PAD	*4	HOG RING
*5	TACK PIN	-	-
•	Non-reusable part	-	-

ILLUSTRATION



*1	REAR NO. 3 SEAT RECLINING CONTROL CABLE	*2	REAR NO. 4 SEAT RECLINING CONTROL CABLE
*3	REAR SEAT CUSHION SPRING SET SIDE PLATE RH	*4	REAR SEAT INNER RECLINING COVER LH
*5	REAR SEAT WIRE LH	*6	REAR SEATBACK COVER
*7	REAR SEATBACK EDGE PROTECTOR	*8	REAR SEATBACK LOCK PLATE LH
*9	REAR SEATBACK SPRING DAMPER LH	*10	RECLINING ADJUSTER INSIDE COVER LH
*11	RECLINING ADJUSTER INSIDE COVER LH	*12	RECLINING ADJUSTER INSIDE COVER LH
*13	SEAT HEATER CONTROL SUB-ASSEMBLY	*14	CABLE TIE
□	N*m (kgf*cm, ft.*lbf): Specified torque	•	Non-reusable part

ILLUSTRATION



P

*1	NO. 2 SEAT LEG PLATE	*2	REAR SEAT CUSHION COVER
*3	REAR SEAT CUSHION FRAME SUB-ASSEMBLY LH	*4	REAR SEAT CUSHION SPRING
*5	REAR SEAT TRACK ADJUSTING HANDLE LH	*6	REAR SEATBACK EDGE PROTECTOR
*7	REAR SEATBACK FRAME SUB-ASSEMBLY LH	*8	SEAT CUSHION SIDE FRAME SUB-ASSEMBLY LH
*9	LOWER SEAT TRACK RAIL LH	*10	REAR OUTER LOWER SEAT TRACK RAIL LH
<input type="checkbox"/>	N*m (kgf*cm, ft.*lbf): Specified torque	•	Non-reusable part



Last Modified: 10-23-2020	6.10:8.0.50	Doc ID: RM100000001JTE6
Model Year Start: 2020	Model: GX460	Prod Date Range: [08/2019 -]
Title: SEAT: REAR NO. 1 SEAT ASSEMBLY (for Separate Seat Type): REMOVAL; 2020 - 2021 MY GX460 [08/2019 -]		

REMOVAL

CAUTION / NOTICE / HINT

CAUTION:

Wear protective gloves. Sharp areas on the parts may injure your hands.

NOTICE:

If the rear seat airbag assembly has deployed, replace the separate type rear seat assembly.

HINT:

- Use the same procedure for the RH and LH sides.
- The procedure listed below is for the LH side.

PROCEDURE

1. PRECAUTION

NOTICE:

After turning the engine switch off, waiting time may be required before disconnecting the cable from the battery terminal. Therefore, make sure to read the disconnecting the cable from the battery terminal notice before proceeding with work.

Click here [info](#)

2. DISCONNECT CABLE FROM NEGATIVE BATTERY TERMINAL

CAUTION:

Wait at least 90 seconds after disconnecting the cable from the negative (-) battery terminal to disable the SRS system.

NOTICE:

When disconnecting the cable, some systems need to be initialized after the cable is reconnected.

Click here [info](#)

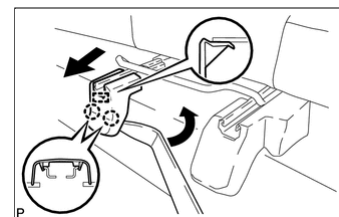
3. REMOVE REAR SEAT HEADREST ASSEMBLY

- Remove the rear seat headrest assembly.

4. REMOVE REAR SEAT TRACK INNER BRACKET COVER

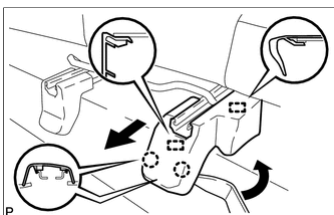
- Operate the rear seat track adjusting handle to move the seat to the rearmost position.

- Using moulding remover A, detach the 2 claws.



- Move the cover in the direction of the arrow to detach the guide and remove the rear seat track inner bracket cover.

5. REMOVE REAR SEAT TRACK OUTER BRACKET COVER

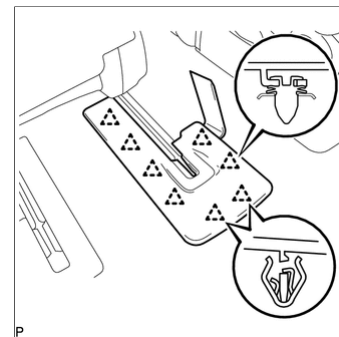


- Using moulding remover A, detach the 2 claws.
- Move the cover in the direction of the arrow to detach the 2 guides and remove the rear seat track outer bracket cover.

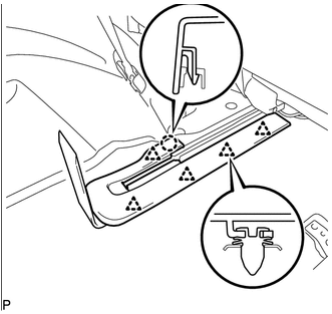
6. REMOVE REAR SEAT TRACK INNER BRACKET COVER RH

- Operate the rear seat track adjusting handle to move the seat to the foremost position.

- Using moulding remover D, detach the 8 clips and remove the rear seat track inner bracket cover RH.



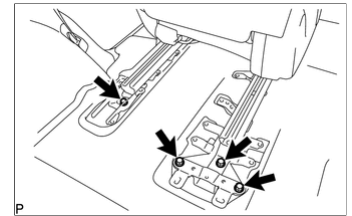
7. REMOVE REAR SEAT TRACK COVER RH



(a) Using moulding remover D, detach the 5 clips and claw, and then remove the rear seat track cover RH.

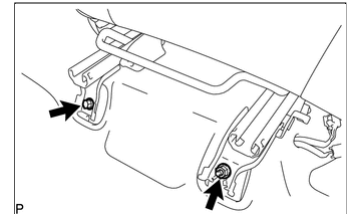
8. REMOVE SEPARATE TYPE REAR SEAT ASSEMBLY

(a) Remove the 4 bolts.

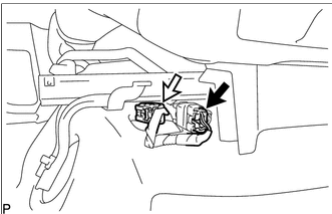


(b) Operate the rear seat track adjusting handle to move the seat to the rearmost position.

(c) Remove the bolt and nut.



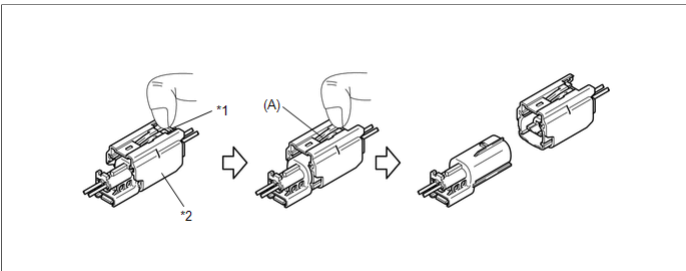
(d) Disconnect the rear seat heater connector.



	Rear Seat Heater Connector
	Rear Seat Airbag Connector

(e) Disconnect the rear seat airbag connector.

(1) Push down the white housing lock and slide the yellow CPA. (At this time, the connector cannot be disconnected yet.)



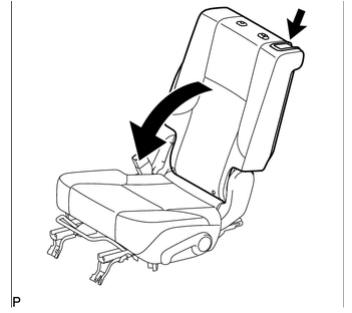
*1	White Housing Lock	*2	Yellow CPA
----	--------------------	----	------------

(2) Push down the white housing lock again and disconnect the connector.

NOTICE:

Do not push down the part (A) shown in the illustration when disconnecting the connector.

(f) Operate the rear seat lock control lever sub-assembly to fold down the seatback.



- (g) Operate the rear seat track adjusting handle to move the seat to the center position.
- (h) Remove the separate type rear seat assembly.

NOTICE:

Be careful not to damage the vehicle body.



Last Modified: 10-23-2020	6.10:8.0.50	Doc ID: RM100000001JTE7
Model Year Start: 2020	Model: GX460	Prod Date Range: [08/2019 -]
Title: SEAT: REAR NO. 1 SEAT ASSEMBLY (for Separate Seat Type): DISASSEMBLY; 2020 - 2021 MY GX460 [08/2019 -]		

DISASSEMBLY

CAUTION / NOTICE / HINT

CAUTION:

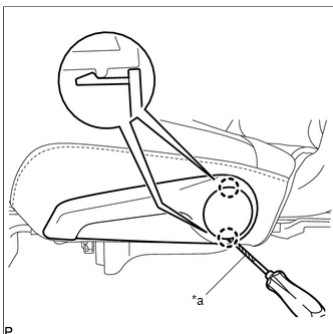
Wear protective gloves. Sharp areas on the parts may injure your hands.

HINT:

- Use the same procedure for the RH and LH sides.
- The procedure listed below is for the LH side.

PROCEDURE

1. REMOVE REAR SEAT COVER CAP LH



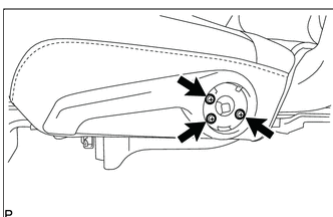
*a Protective Tape

- (a) Using a screwdriver, detach the 2 claws and remove the rear seat cover cap LH.

HINT:

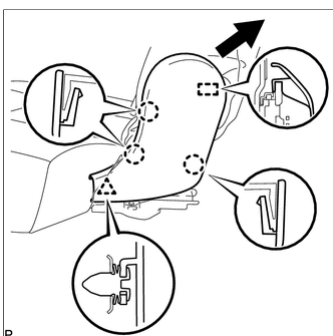
Tape the screwdriver tip before use.

2. REMOVE RECLINING ADJUSTER RELEASE HANDLE LH



- (a) Remove the 3 screws and reclining adjuster release handle LH.

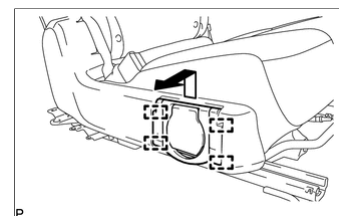
3. REMOVE REAR SEAT CUSHION MOULDING LH



- (a) Using a clip remover, detach the clip.
 (b) Using moulding remover A, detach the 3 claws.
 (c) Move the rear seat cushion moulding LH in the direction of the arrow to detach the guide and remove the rear seat cushion moulding LH.

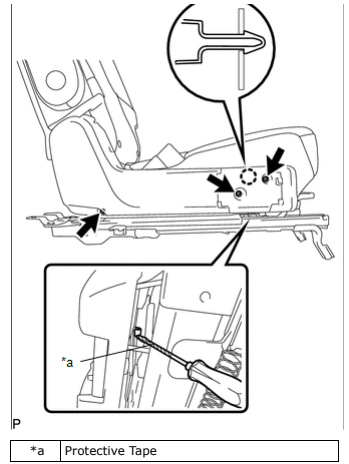
4. REMOVE REAR SEAT CUP HOLDER ASSEMBLY

- (a) Move the rear seat cup holder assembly in the direction of the arrow to detach the 4 guides and remove the rear seat cup holder assembly.



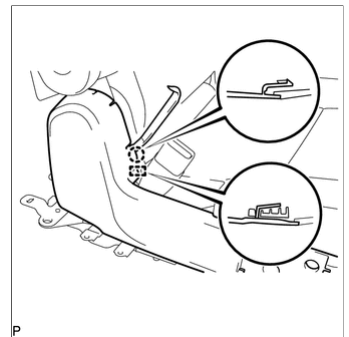
5. REMOVE REAR SEAT REAR CUSHION MOULDING RH

- (a) Remove the 3 screws.

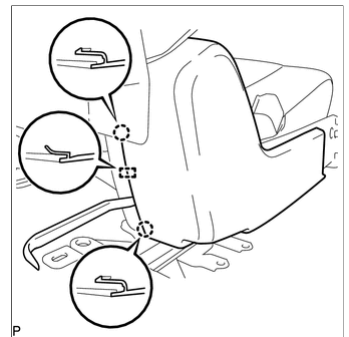


(b) Using a screwdriver, detach the claw.

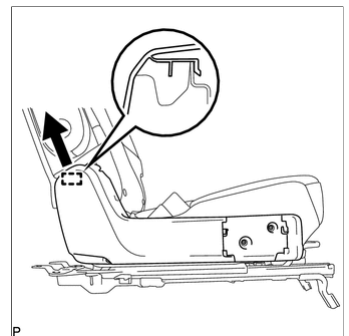
HINT:
Tape the screwdriver tip before use.



(c) Using moulding remover A, detach the claw and guide.

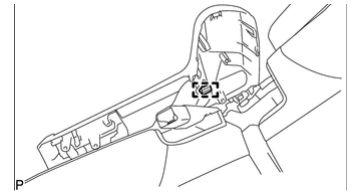


(d) Using moulding remover A, detach the 2 claws and guide.



(e) Move the rear seat rear cushion moulding RH in the direction of the arrow to detach the guide.

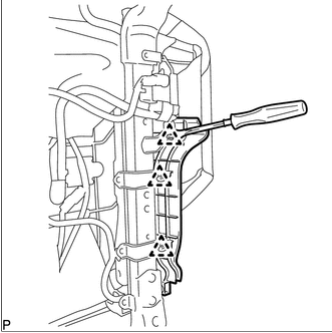
(f) Detach the hook and remove the rear seat rear cushion moulding RH.



6. REMOVE REAR NO. 1 SEAT INNER BELT ASSEMBLY LH

INFO

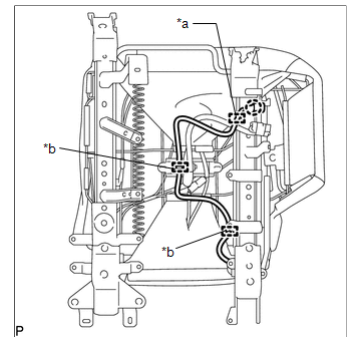
7. REMOVE REAR SEATBACK LOCK STRIKER COVER LH



(a) Using a clip remover, detach the 3 clips and remove the rear seatback lock striker cover LH.

8. REMOVE SEPARATE TYPE REAR SEAT CUSHION COVER WITH PAD

(a) Cut off the cable tie.



*a	Cable Tie
*b	Clamp

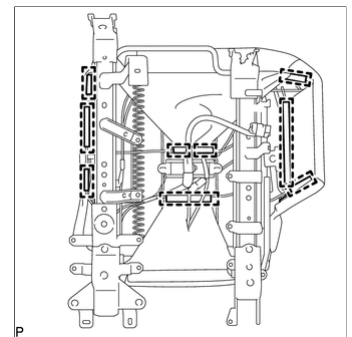
(b) Using a screwdriver, detach the claw and disconnect the connector.

HINT:

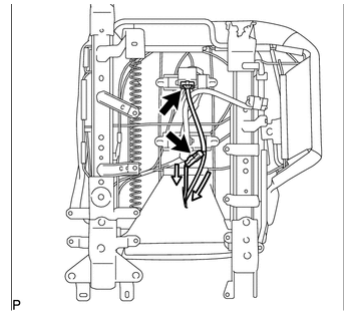
Tape the screwdriver tip before use.

(c) Detach the 2 clamps and disconnect the rear seat airbag wire harness.

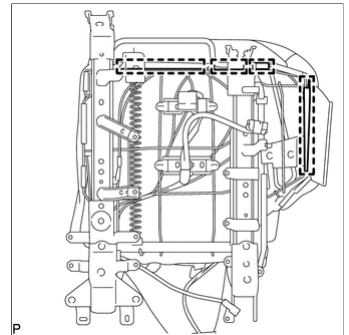
(d) Detach the 9 hooks.



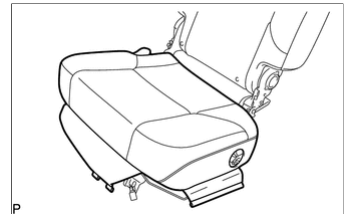
(e) Disconnect the 2 connectors.



(f) Pass the 2 wire harnesses through the slit of the separate type rear seat cushion cover in the direction shown by the arrow in the illustration.

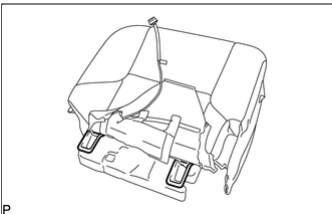


(g) Detach the 4 hooks.



(h) Remove the separate type rear seat cushion cover with pad.

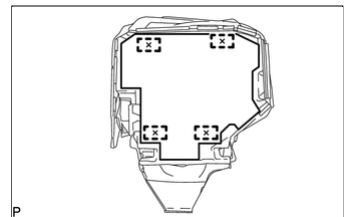
9. REMOVE REAR NO. 2 SEAT PROTECTOR



(a) Remove the 2 rear No. 2 seat protectors from the rear seat cushion pad LH.

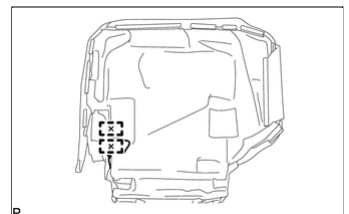
10. REMOVE REAR SEAT CUSHION EDGE PROTECTOR

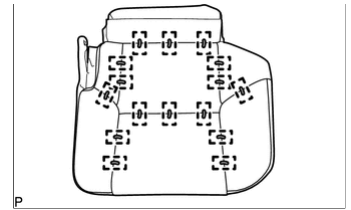
(a) Cut off the 4 tack pins and remove the rear seat cushion edge protector from the rear seat cushion pad LH.



11. REMOVE SEPARATE TYPE REAR SEAT CUSHION COVER

(a) Cut off the 2 tack pins.





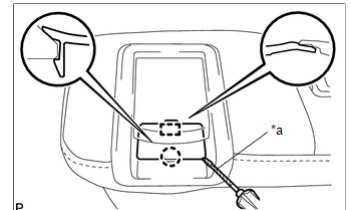
12. REMOVE REAR SEAT CUSHION HEATER ASSEMBLY

INFO

13. REMOVE RECLINING ADJUSTER KNOB CAP LH

(a) Using a screwdriver, detach the claw and guide, and then remove the reclining adjuster knob cap LH.

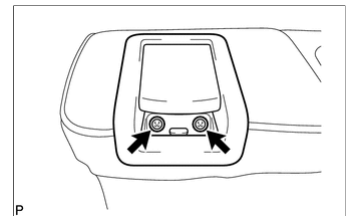
HINT:
Tape the screwdriver tip before use.



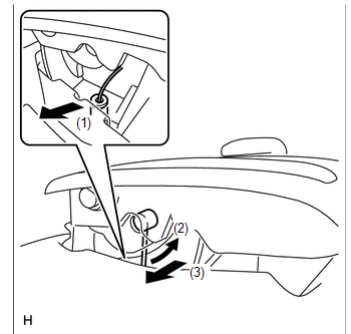
*a Protective Tape

14. REMOVE REAR SEAT LOCK CONTROL LEVER SUB-ASSEMBLY LH

(a) Remove the 2 screws.

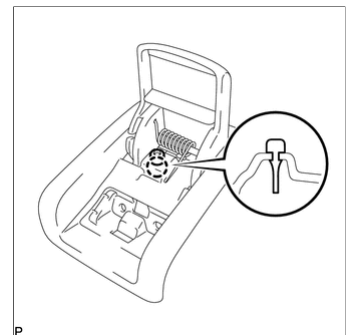


(b) Disconnect the rear No. 3 seat reclining control cable in the order shown in the illustration and remove the rear seat lock control lever sub-assembly LH.

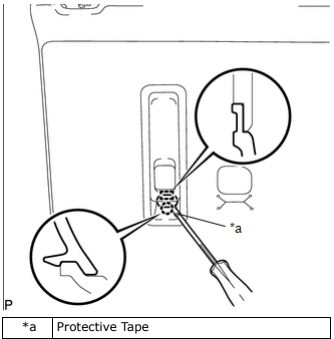


15. REMOVE CUSHION

(a) Detach the claw and remove the cushion from the rear seat lock control lever sub-assembly LH.



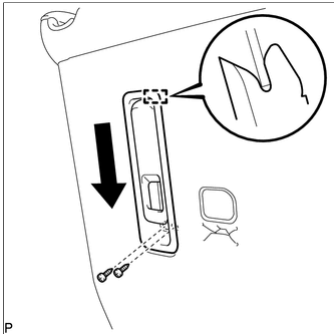
16. REMOVE REAR SEAT COVER CAP



(a) Using a screwdriver, detach the claw and guide, and then remove the rear seat cover cap.

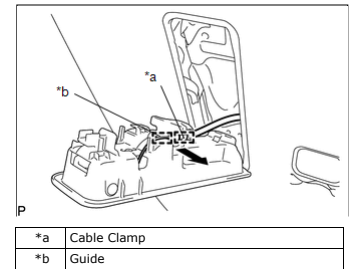
HINT:
Tape the screwdriver tip before use.

17. REMOVE REAR CENTER BACK LOCK CONTROL LEVER

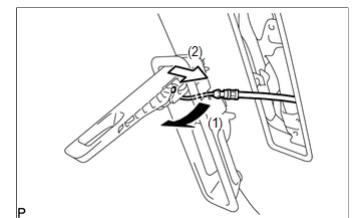


(a) Remove the 2 screws.
(b) Move the rear center back lock control lever in the direction of the arrow to detach the guide.

(c) Detach the cable clamp and guide.

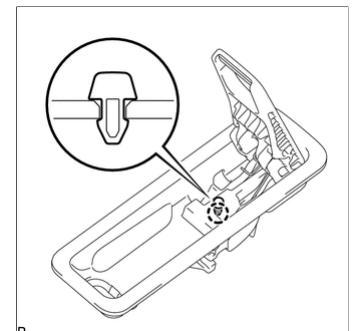


(d) Disconnect the rear No. 4 seat reclining control cable in the order shown in the illustration and remove the rear center back lock control lever.

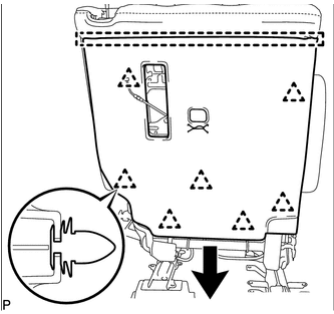


18. REMOVE CONSOLE COMPARTMENT DOOR CUSHION

(a) Detach the claw and remove the console compartment door cushion from the rear center back lock control lever.

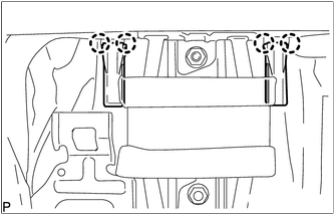


19. REMOVE REAR SEATBACK BOARD CARPET ASSEMBLY LH



- (a) Using a clip remover, detach the 7 clips.
- (b) Move the rear seatback board carpet assembly LH in the direction of the arrow to detach the guide and remove the rear seatback board carpet assembly LH.

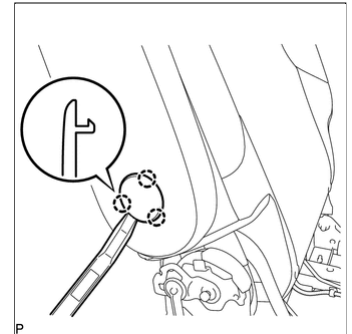
20. REMOVE REAR NO. 1 SEAT HEADREST SUPPORT ASSEMBLY



- (a) Detach the 4 claws and remove the 2 rear No. 1 seat headrest support assemblies.

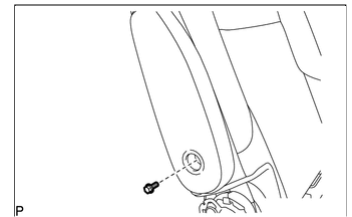
21. REMOVE NO. 1 SEAT ARMREST CAP

- (a) Using moulding remover A, detach the 3 claws and remove the No. 1 seat armrest cap.



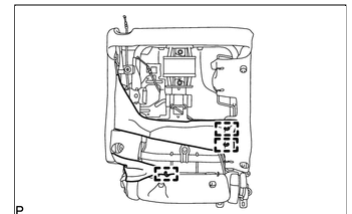
22. REMOVE REAR NO. 1 SEAT ARMREST ASSEMBLY LH

- (a) Remove the bolt and No. 1 seat armrest assembly LH.

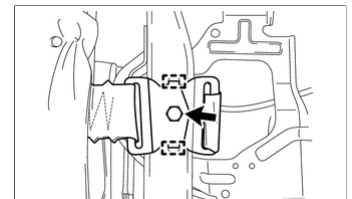


23. REMOVE SEPARATE TYPE REAR SEATBACK COVER WITH PAD

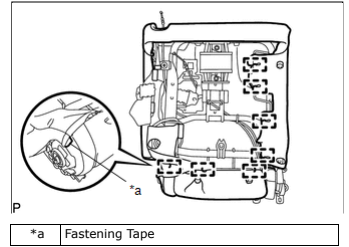
- (a) Remove the 3 hog rings.



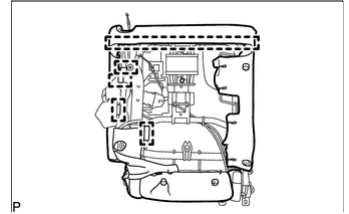
- (b) Remove the nut, detach the 2 guides and disconnect the 2 separate type rear seatback cover brackets from the rear seatback frame sub-assembly LH.



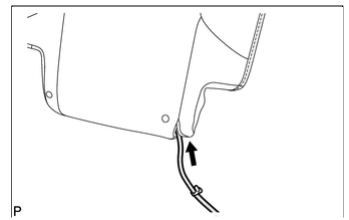
(c) Remove the 7 hog rings and detach the fastening tape.



(d) Detach the 5 hooks.



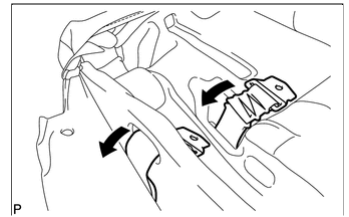
(e) Pass the rear seat airbag wire harness through the hole of the separate type rear seatback cover with pad in the direction shown by the arrow in the illustration.



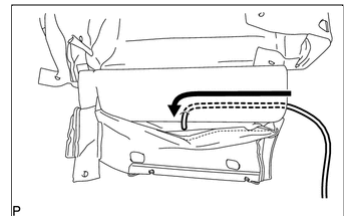
(f) Remove the separate type seatback cover with pad from the rear seatback frame sub-assembly LH.

24. REMOVE SEPARATE TYPE REAR SEATBACK COVER

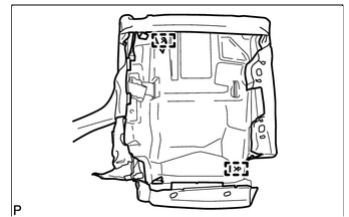
(a) Disconnect the 2 separate type rear seatback cover brackets from the separate type rear seatback pad.



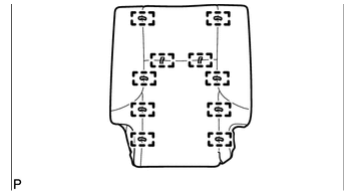
(b) Pass the wire harness through the hole of the separate type rear seatback pad in the direction shown by the arrow in the illustration.



(c) Cut off the 2 tack pins.



(d) Remove the 10 hog rings and separate type rear seatback cover from the separate type rear seatback pad.

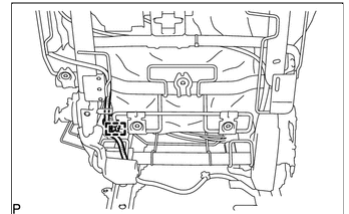


25. REMOVE REAR SEATBACK HEATER ASSEMBLY

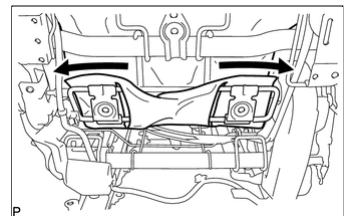
INFO

26. REMOVE REAR SEATBACK EDGE PROTECTOR

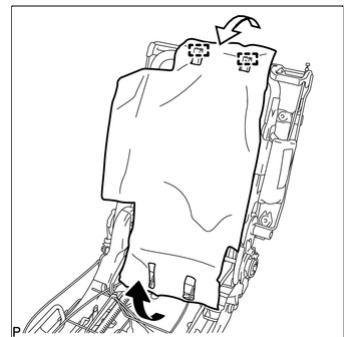
(a) Detach the clamp and disconnect the rear seat airbag wire harness.



(b) Detach the rear seatback edge protector hooked onto the rear seatback frame sub-assembly LH.

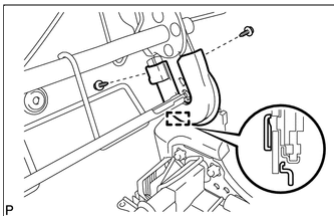


(c) Pull the lower end of the rear seatback edge protector out towards the front.



(d) Detach the 2 hooks and remove the rear seatback edge protector from the rear seatback frame sub-assembly LH.

27. REMOVE RECLINING ADJUSTER INSIDE COVER LH

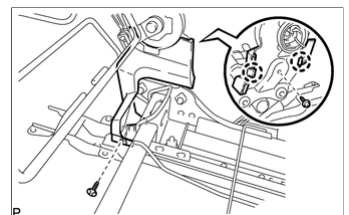


(a) Remove the 2 screws.

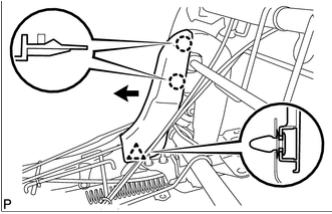
(b) Detach the guide and remove the reclining adjuster inside cover LH.

28. REMOVE RECLINING ADJUSTER INSIDE COVER LH

(a) Using a clip remover, remove the clip.

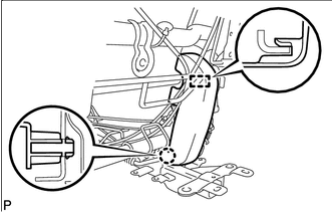


(b) Remove the screw.



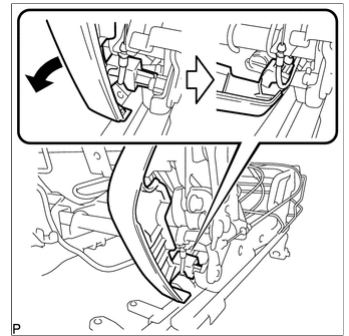
- (a) Using a clip remover, detach the clip.
- (b) Move the cover in the direction of the arrow to detach the 2 claws and remove the rear seat inner reclining cover LH.

30. REMOVE RECLINING ADJUSTER INSIDE COVER LH



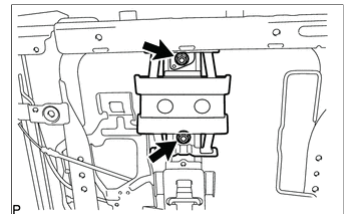
- (a) Detach the claw and guide.

- (b) Move the reclining adjuster inside cover LH in the direction of the arrow to disconnect the rear No. 3 seat reclining control cable and remove the reclining adjuster inside cover LH.



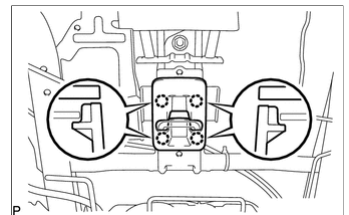
31. REMOVE REAR SEATBACK SPRING DAMPER LH

- (a) Remove the 2 nuts and rear seatback spring damper LH.



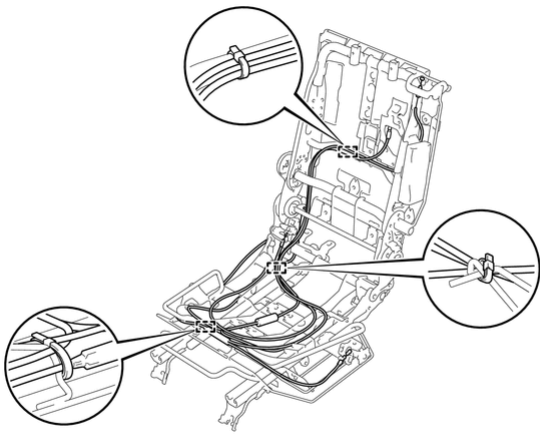
32. REMOVE REAR SEATBACK COVER

- (a) Detach the 4 claws and remove the rear seatback cover.



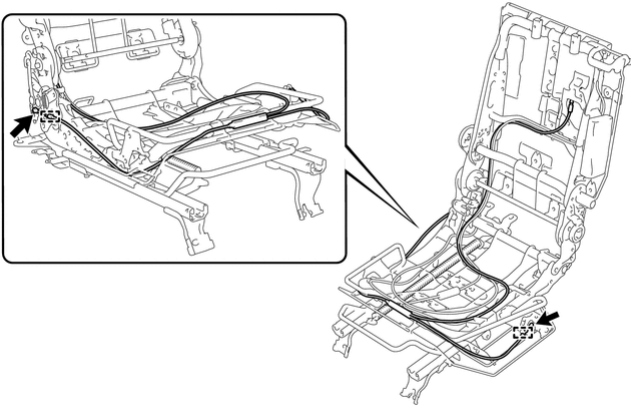
33. REMOVE REAR NO. 4 SEAT RECLINING CONTROL CABLE

- (a) Cut off the 3 cable ties.



P

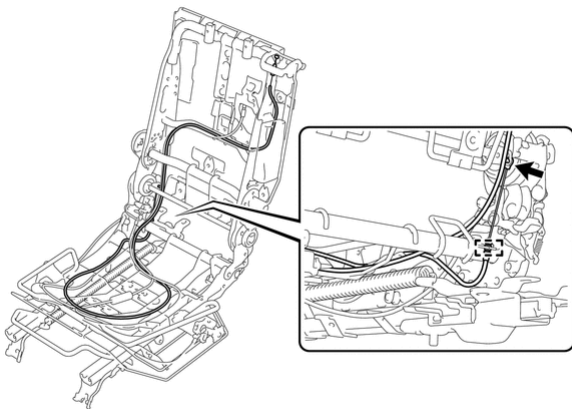
(b) Detach the 2 cable clamps and disconnect the 2 cable ends, and then remove the rear No. 4 seat reclining control cable.



P

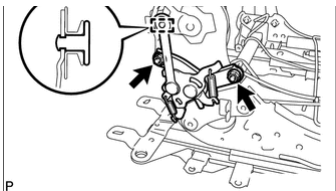
34. REMOVE REAR NO. 3 SEAT RECLINING CONTROL CABLE

(a) Detach the cable clamp and disconnect the cable end, and then remove the rear No. 3 seat reclining control cable.



P

35. REMOVE REAR SEAT CUSHION SPRING SET SIDE PLATE RH

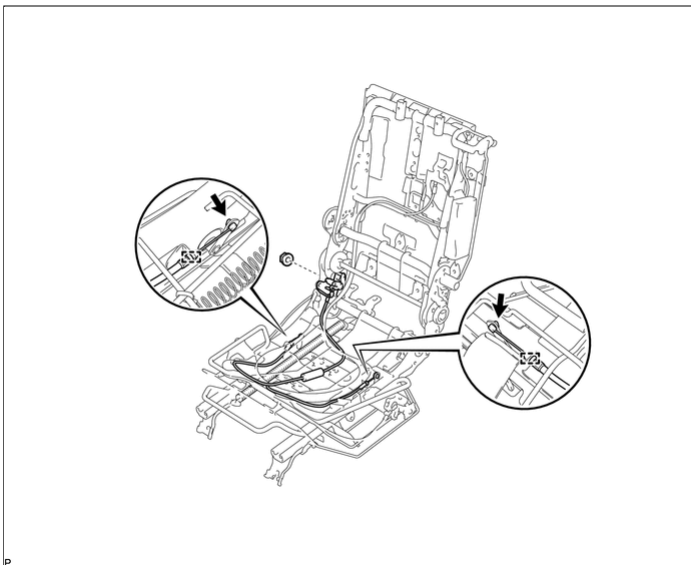


P

- (a) Remove the 2 nuts.
- (b) Detach the guide and remove the rear seat cushion spring set side plate RH.

36. REMOVE REAR SEATBACK LOCK PLATE LH

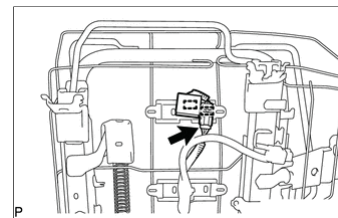
- (a) Detach the 2 cable clamps and disconnect the 2 cable ends.
- (b) Remove the nut and rear seatback lock plate LH.



P

37. REMOVE SEAT HEATER CONTROL SUB-ASSEMBLY

- (a) Disconnect the connector.



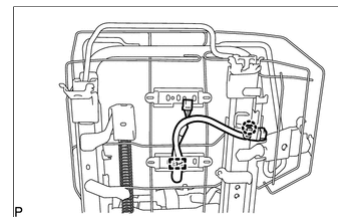
P

- (b) Detach the 2 clamps and remove the seat heater control sub-assembly.

38. REMOVE REAR SEAT WIRE LH

- (a) Using a screwdriver, detach the claw and disconnect the connector.

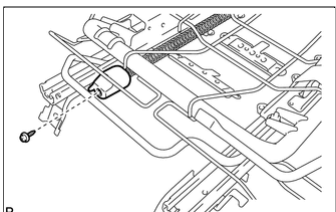
HINT:
Tape the screwdriver tip before use.



P

- (b) Detach the clamp and remove the rear seat wire LH.

39. REMOVE REAR SEAT CUSHION COVER

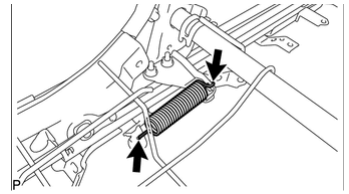


P

- (a) Remove the screw and rear seat cushion cover.

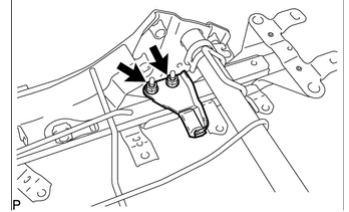
40. REMOVE REAR SEAT CUSHION SPRING

- (a) Operate the rear seat track adjusting handle to move the rear seat cushion frame sub-assembly LH to the foremost position.



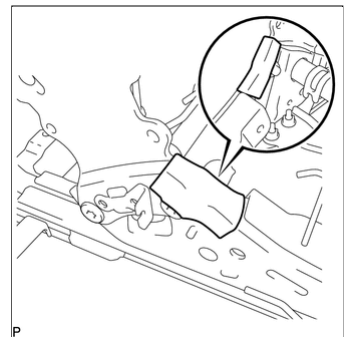
41. REMOVE NO. 2 SEAT LEG PLATE

- (a) Remove the 2 nuts and No. 2 seat leg plate.



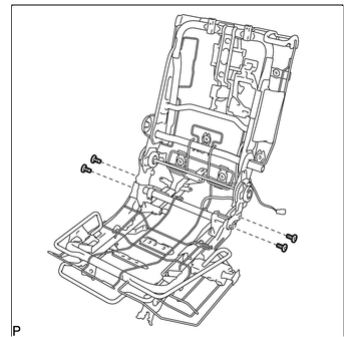
42. REMOVE REAR SEATBACK EDGE PROTECTOR

- (a) Remove the rear seatback edge protector.

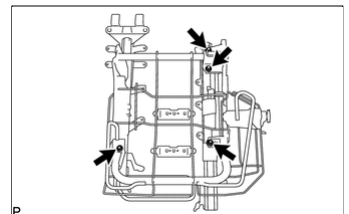


43. REMOVE REAR SEAT CUSHION FRAME SUB-ASSEMBLY LH

- (a) Using a T40 "TORX" socket wrench, remove the 4 "TORX" bolts and rear seatback frame sub-assembly LH.

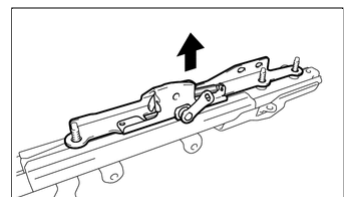


- (b) Remove the 4 nuts and rear seat cushion frame sub-assembly LH.

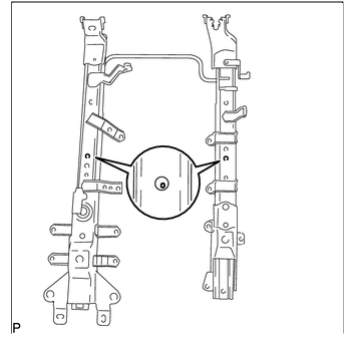


44. REMOVE REAR SEAT TRACK ADJUSTING HANDLE LH

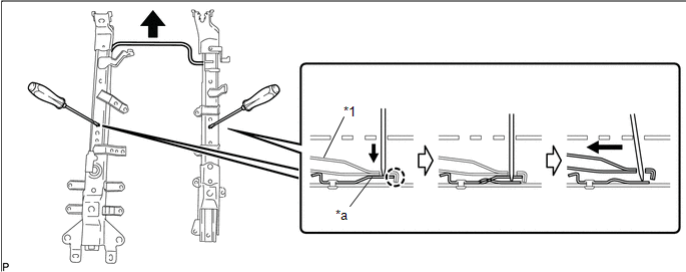
- (a) Remove the seat cushion side frame sub-assembly LH.



(b) Operate the rear seat track adjusting handle and slide the seat track rail to the position where the screwdriver insertion hole is visible as shown in the illustration.



(c) Insert a screwdriver and press in the lower seat track rail lock spring to detach the 2 claws, then remove the rear seat track adjusting handle LH.



*1	Rear Seat Track Adjusting Handle LH	-	-
*a	Lock Spring	-	-

