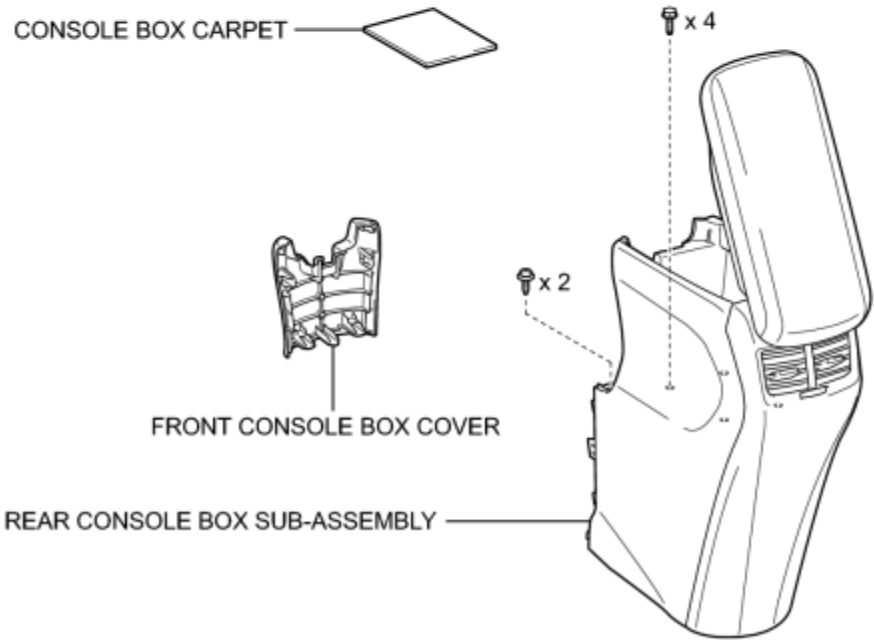
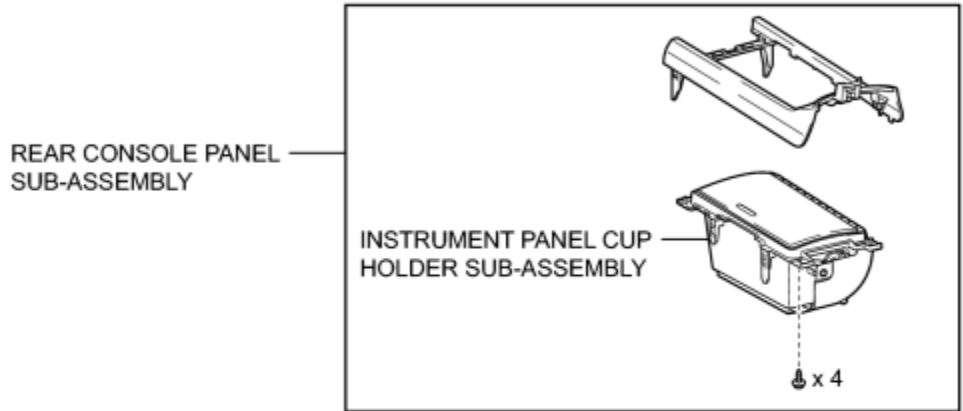
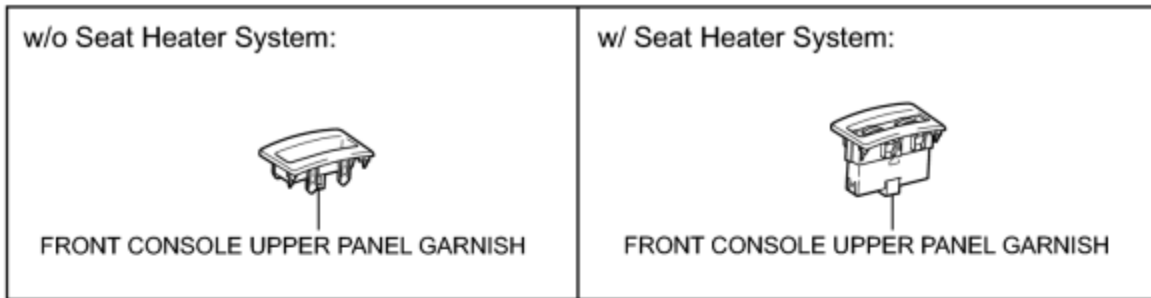


<b>Last Modified:</b> 5-25-2010	6.4 K	<b>From:</b> 200907
<b>Model Year:</b> 2010	<b>Model:</b> HS250H	<b>Doc ID:</b> RM00000422J002X
<b>Title:</b> INTERIOR PANELS / TRIM: FRONT CONSOLE BOX: COMPONENTS (2010 HS250H)		

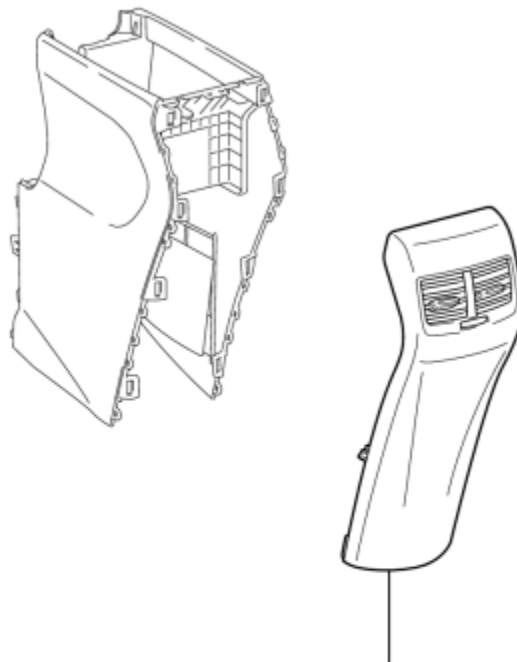
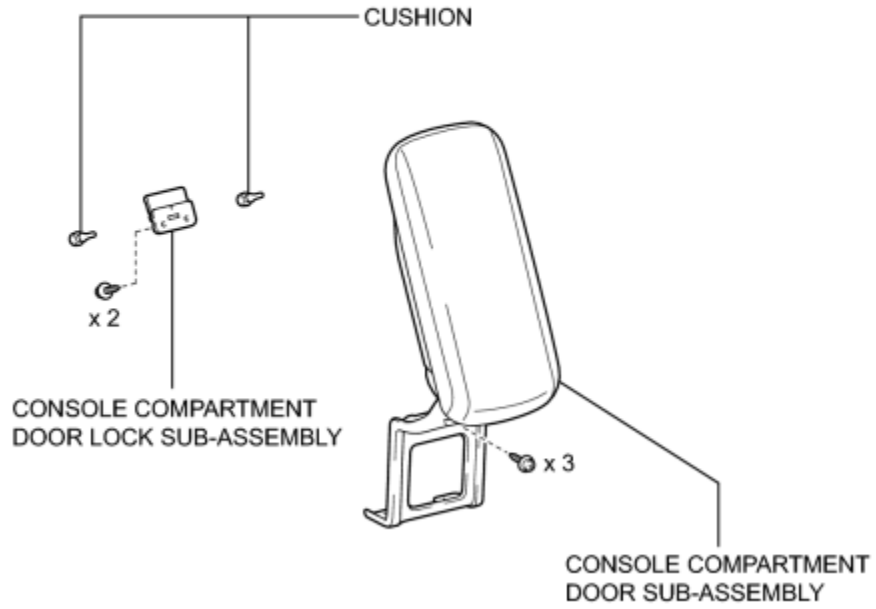
## **COMPONENTS**

## **ILLUSTRATION**



P

# ILLUSTRATION



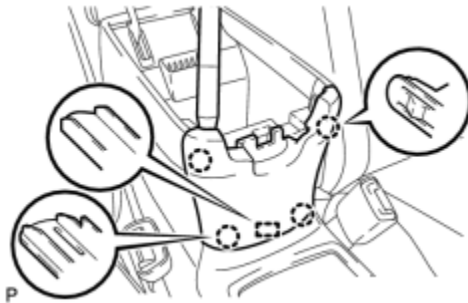
CONSOLE REAR END PANEL SUB-ASSEMBLY



<b>Last Modified:</b> 5-25-2010	6.4 A	<b>From:</b> 200907
<b>Model Year:</b> 2010	<b>Model:</b> HS250H	<b>Doc ID:</b> RM00000422K002X
<b>Title:</b> INTERIOR PANELS / TRIM: FRONT CONSOLE BOX: REMOVAL (2010 HS250H)		

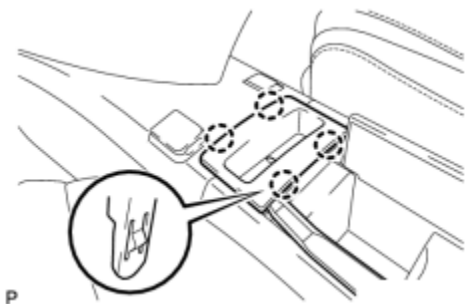
## REMOVAL

### 1. REMOVE FRONT CONSOLE BOX COVER



(a) Using a moulding remover, disengage the 4 claws and guide to remove the front console box cover.

### 2. REMOVE FRONT CONSOLE UPPER PANEL GARNISH (w/o Seat Heater System)

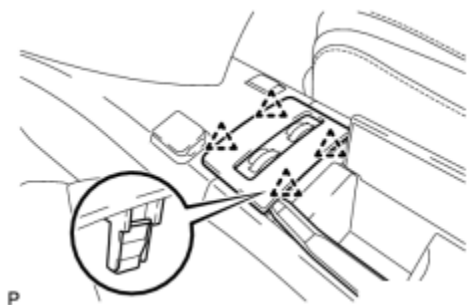


(a) Using a moulding remover, disengage the 4 claws.

(b) Disconnect the connector and remove the front console upper panel garnish.

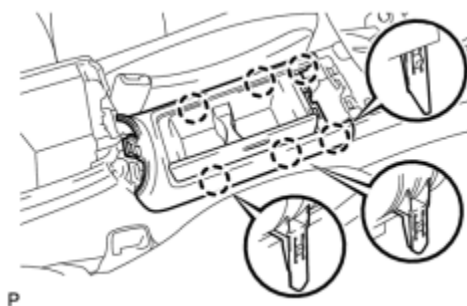
### 3. REMOVE FRONT CONSOLE UPPER PANEL GARNISH (w/ Seat Heater System)

(a) Using a moulding remover, disengage the 4 clips.



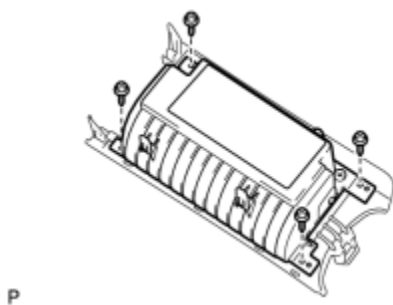
(b) Disconnect the connector and remove the front console upper panel garnish.

#### 4. REMOVE REAR CONSOLE PANEL SUB-ASSEMBLY



(a) Disengage the 6 claws and remove the rear console panel sub-assembly.

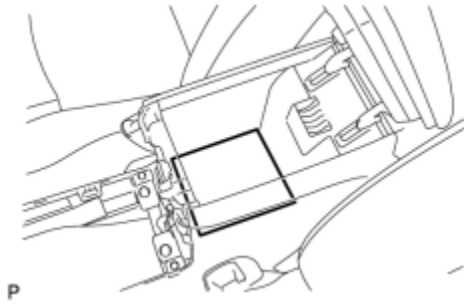
#### 5. REMOVE INSTRUMENT PANEL CUP HOLDER SUB-ASSEMBLY



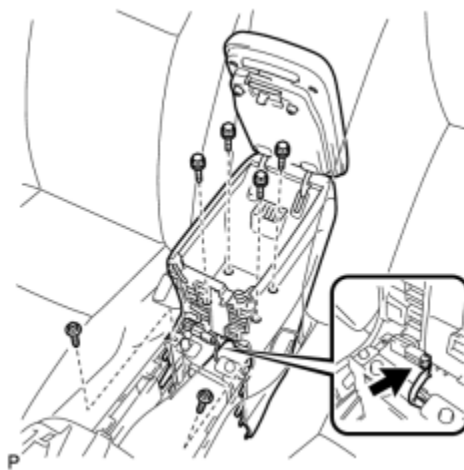
(a) Remove the 4 screws and instrument panel cup holder sub-assembly.

#### 6. REMOVE CONSOLE BOX CARPET

(a) Remove the console box carpet.

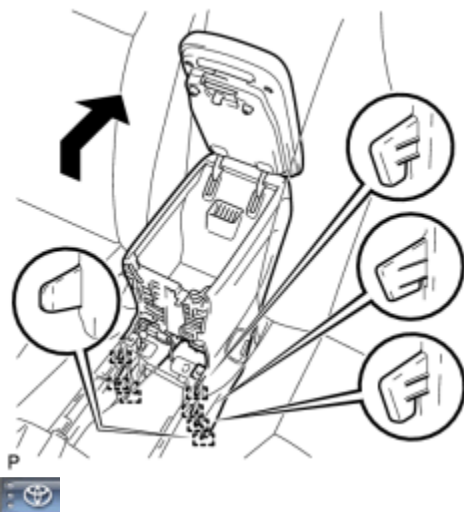


## 7. REMOVE REAR CONSOLE BOX SUB-ASSEMBLY

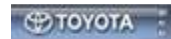


(a) Disconnect the connector.

(b) Remove the 4 bolts and 2 screws.



(c) Disengage the 8 guides and remove the rear console box sub-assembly as shown in the illustration.



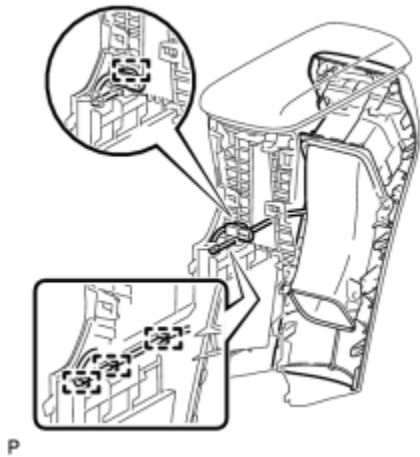




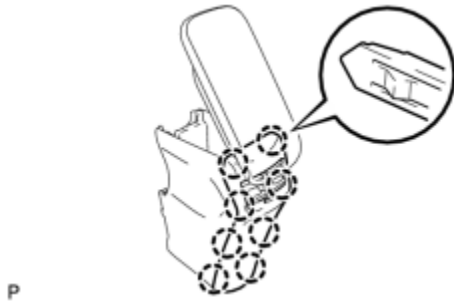
<b>Last Modified:</b> 5-25-2010	6.4 A	<b>From:</b> 200907
<b>Model Year:</b> 2010	<b>Model:</b> HS250H	<b>Doc ID:</b> RM000004CHO000X
<b>Title:</b> INTERIOR PANELS / TRIM: FRONT CONSOLE BOX: DISASSEMBLY (2010 HS250H)		

## DISASSEMBLY

### 1. REMOVE CONSOLE REAR END PANEL SUB-ASSEMBLY



(a) Disengage the 4 clamps.

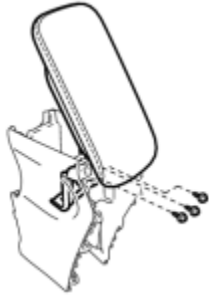


(b) Disengage the 8 claws to console rear end panel sub-assembly.

### 2. REMOVE CONSOLE COMPARTMENT DOOR SUB-ASSEMBLY

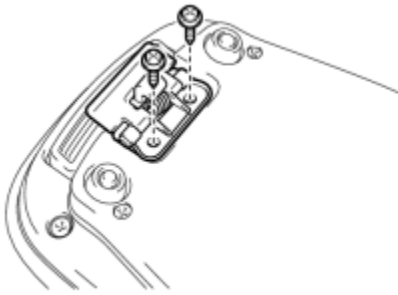
(a) Remove the 3 screws and console compartment door sub-assembly.

P



### 3. REMOVE CONSOLE COMPARTMENT DOOR LOCK SUB-ASSEMBLY

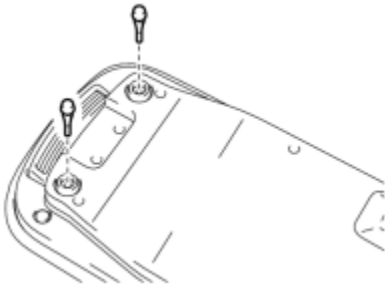
P



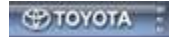
(a) Remove the 2 screws and console compartment door lock sub-assembly.

### 4. REMOVE CUSHION

P



(a) Remove the 2 cushions.



<b>Last Modified:</b> 5-25-2010	6.4 A	<b>From:</b> 200907
<b>Model Year:</b> 2010	<b>Model:</b> HS250H	<b>Doc ID:</b> RM000004CHP000X
<b>Title:</b> INTERIOR PANELS / TRIM: FRONT CONSOLE BOX: REASSEMBLY (2010 HS250H)		

## **REASSEMBLY**

### **1. INSTALL CUSHION**

(a) Install the 2 cushions.

### **2. INSTALL CONSOLE COMPARTMENT DOOR LOCK SUB-ASSEMBLY**

(a) Install the console compartment door lock sub-assembly with the 2 screws.

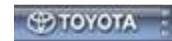
### **3. INSTALL CONSOLE COMPARTMENT DOOR SUB-ASSEMBLY**

(a) Install the console compartment door sub-assembly with the 3 screws.

### **4. INSTALL CONSOLE REAR END PANEL SUB-ASSEMBLY**

(a) Engage the 8 claws to install the console rear end panel sub-assembly.

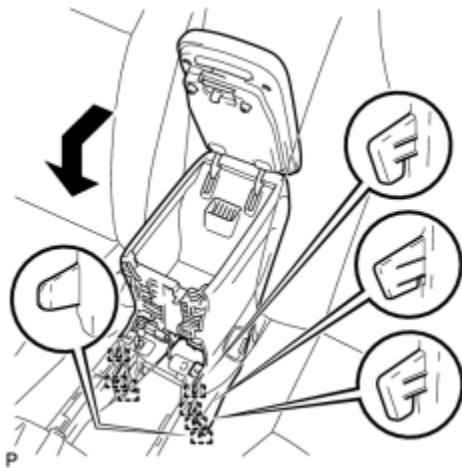
(b) Engage the 4 clamps.



<b>Last Modified:</b> 5-25-2010	6.4 A	<b>From:</b> 200907
<b>Model Year:</b> 2010	<b>Model:</b> HS250H	<b>Doc ID:</b> RM00000422I002X
<b>Title:</b> INTERIOR PANELS / TRIM: FRONT CONSOLE BOX: INSTALLATION (2010 HS250H)		

## INSTALLATION

### 1. INSTALL REAR CONSOLE BOX SUB-ASSEMBLY



(a) Engage the 8 guides as shown in the illustration.

(b) Install the rear console box sub-assembly with the 4 bolts and 2 screws.

(c) Connect the connector.

### 2. INSTALL CONSOLE BOX CARPET

(a) Install the console box carpet.

### 3. INSTALL INSTRUMENT PANEL CUP HOLDER SUB-ASSEMBLY

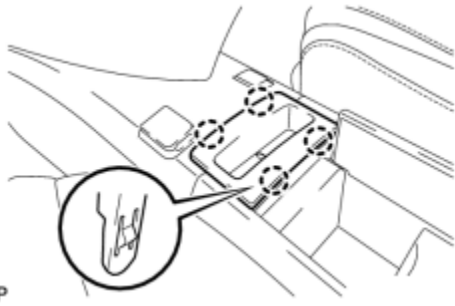
(a) Install the instrument panel cup holder sub-assembly with the 4 screws.

### 4. INSTALL REAR CONSOLE PANEL SUB-ASSEMBLY

(a) Engage the 6 claws to install the rear console panel sub-assembly.

### 5. INSTALL FRONT CONSOLE UPPER PANEL GARNISH (w/o Seat Heater System)

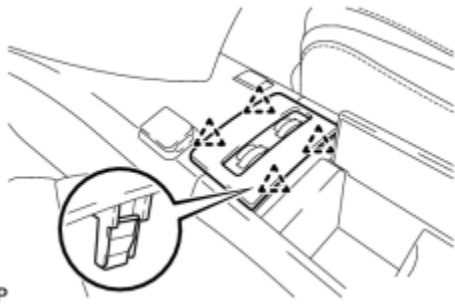
(a) Connect the connector.



(b) Engage the 4 claws to install the front console upper panel garnish.

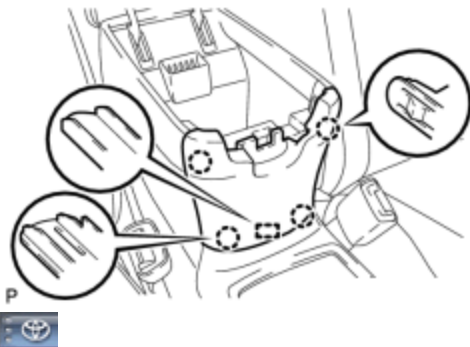
## 6. INSTALL FRONT CONSOLE UPPER PANEL GARNISH (w/ Seat Heater System)

(a) Connect the connector.



(b) Engage the 4 clips to install the front console upper panel garnish.

## 7. INSTALL FRONT CONSOLE BOX COVER



(a) Engage the 4 claws and guide to install the front console box cover.

