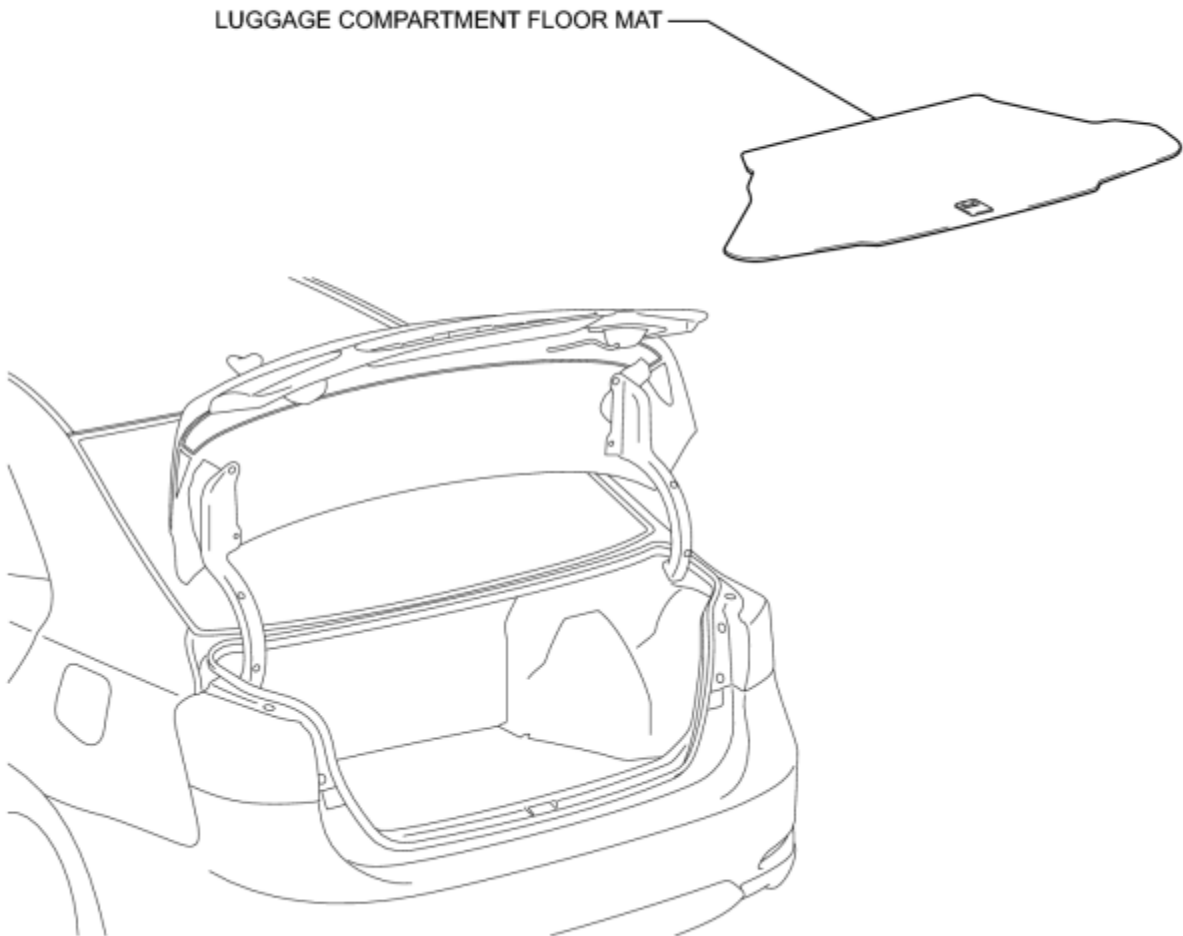


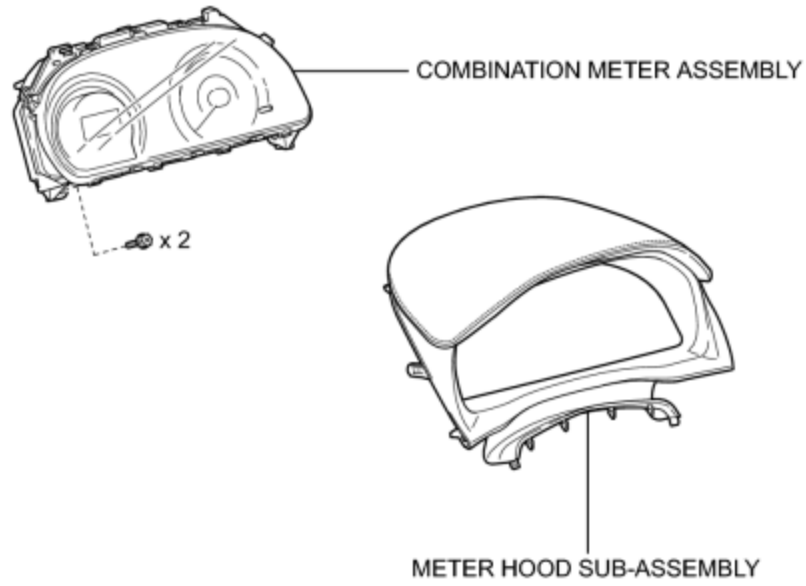
Last Modified: 5-25-2010	6.4 K	From: 200907
Model Year: 2010	Model: HS250H	Doc ID: RM00000422E002X
Title: INTERIOR PANELS / TRIM: UPPER INSTRUMENT PANEL: COMPONENTS (2010 HS250H)		

COMPONENTS

ILLUSTRATION

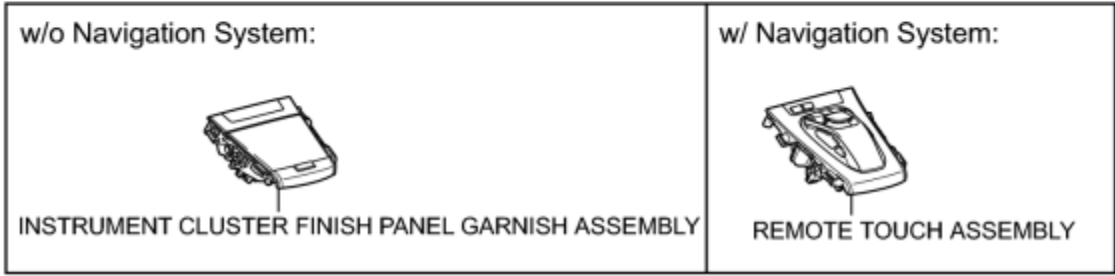
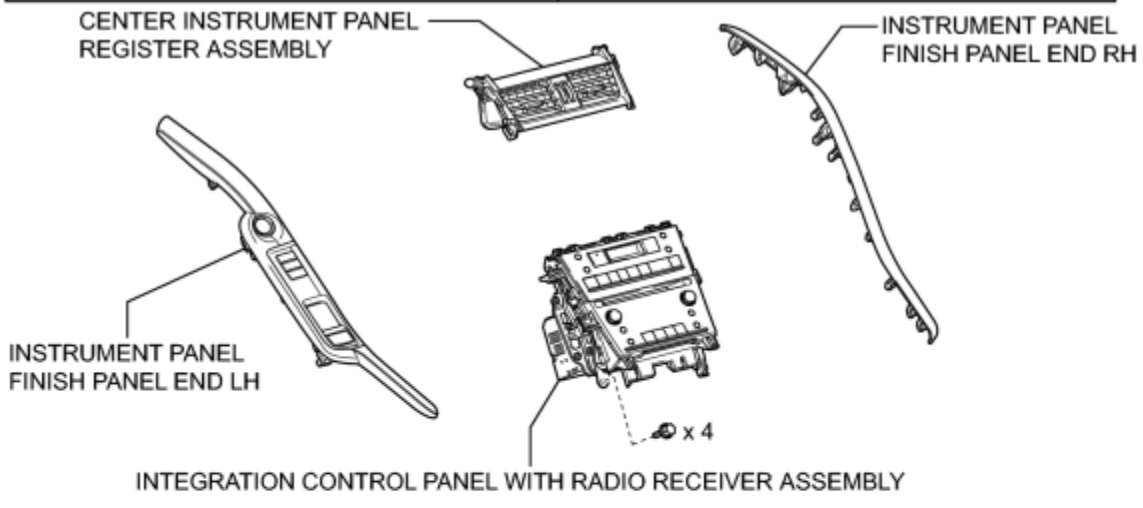
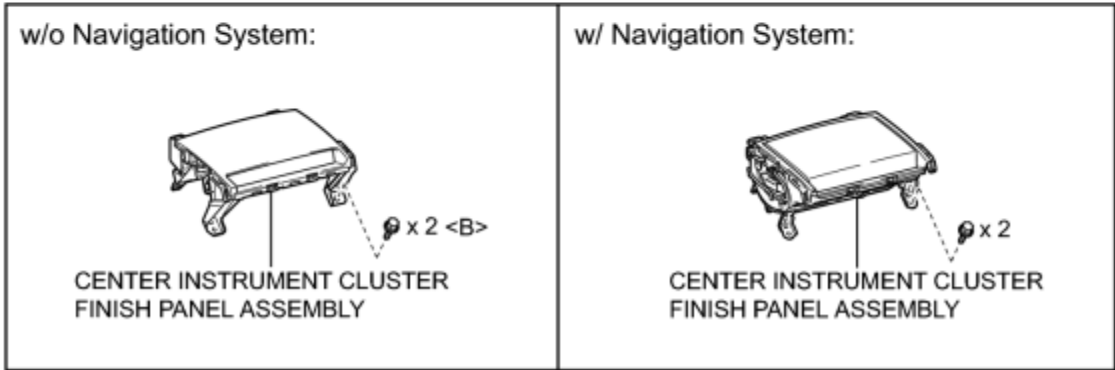
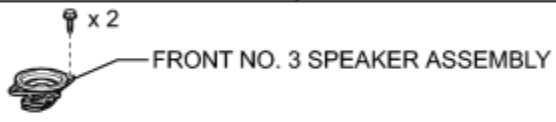
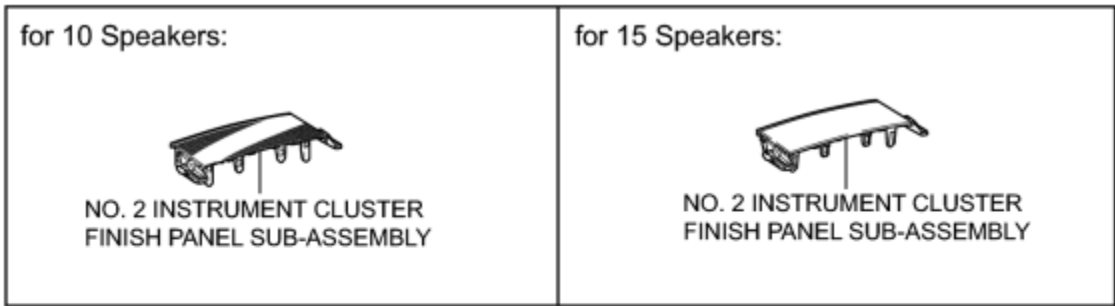


ILLUSTRATION



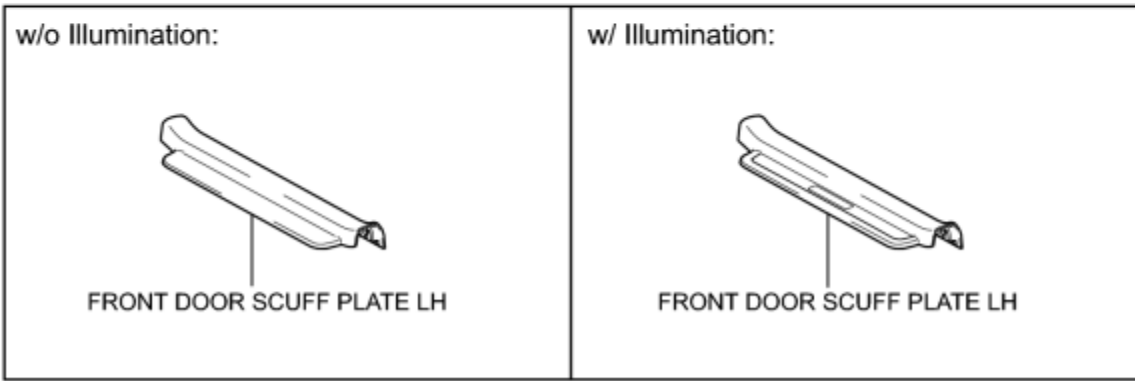
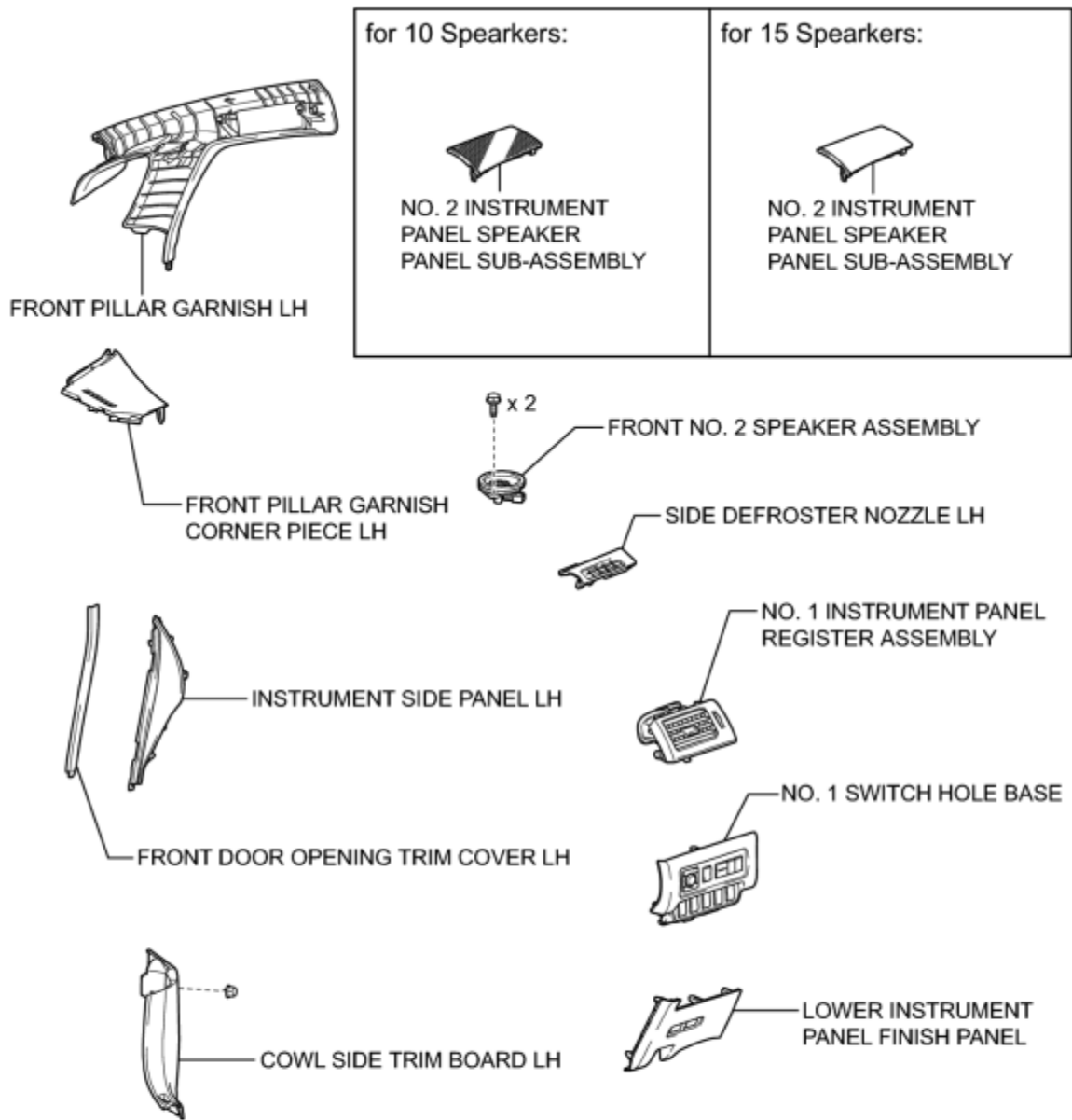
P

ILLUSTRATION



P

ILLUSTRATION



ILLUSTRATION

for 10 Speakers:



NO. 1 INSTRUMENT
PANEL SPEAKER
PANEL SUB-ASSEMBLY

for 15 Speakers:



NO. 1 INSTRUMENT
PANEL SPEAKER PANEL
SUB-ASSEMBLY



FRONT PILLAR GARNISH RH

x 2



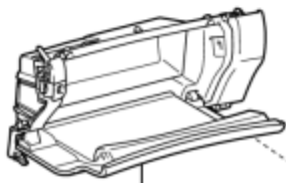
SIDE DEFROSTER NOZZLE RH



FRONT PILLAR GARNISH CORNER PIECE RH

FRONT NO. 2 SPEAKER ASSEMBLY

NO. 2 INSTRUMENT PANEL REGISTER ASSEMBLY



GLOVE COMPARTMENT DOOR ASSEMBLY

INSTRUMENT SIDE PANEL RH



FRONT DOOR OPENING TRIM COVER RH

x 4 <C>



FRONT PASSENGER SIDE
KNEE AIRBAG ASSEMBLY

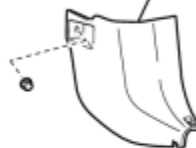
x 3

10 (102, 7)



NO. 2 INSTRUMENT PANEL UNDER COVER SUB-ASSEMBLY

COWL SIDE TRIM
BOARD RH

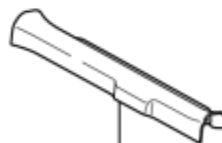


w/o Illumination:



FRONT DOOR SCUFF PLATE RH

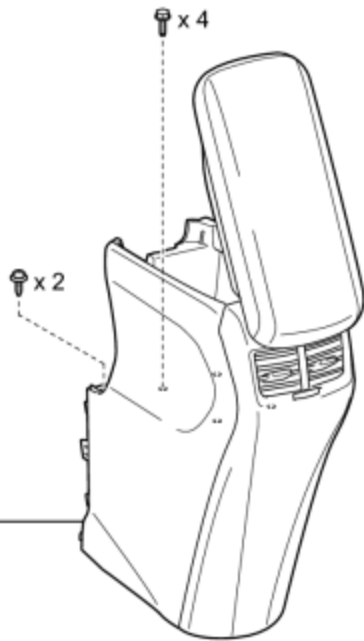
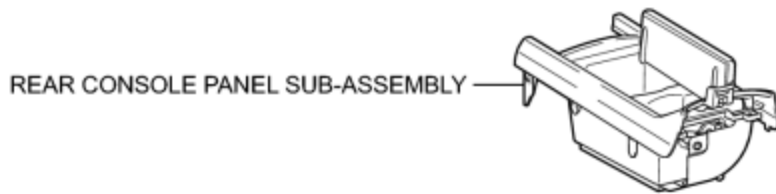
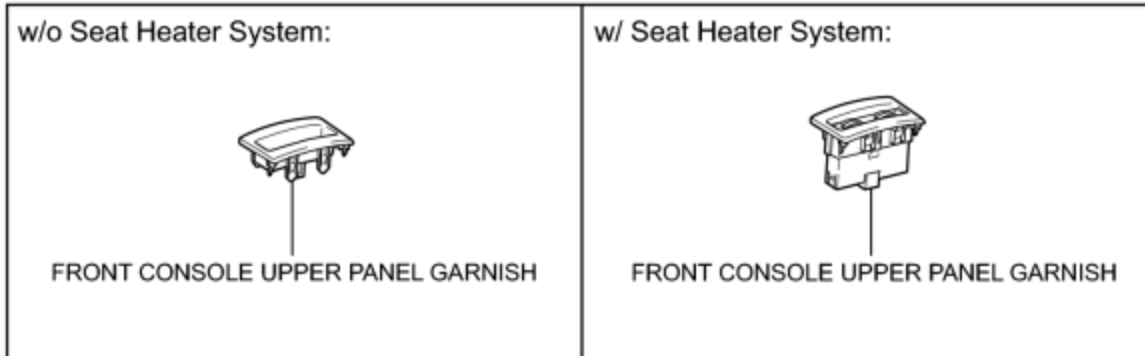
w/ Illumination:



FRONT DOOR SCUFF PLATE RH

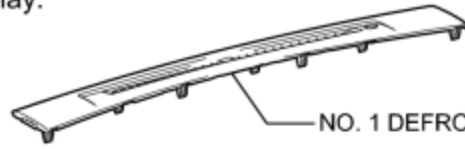
N*m (kgf*cm, ft.*lbf): Specified torque

ILLUSTRATION



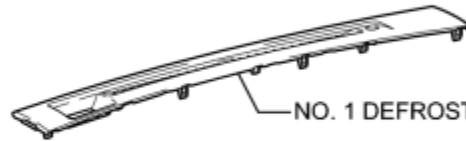
ILLUSTRATION

w/o Headup Display:

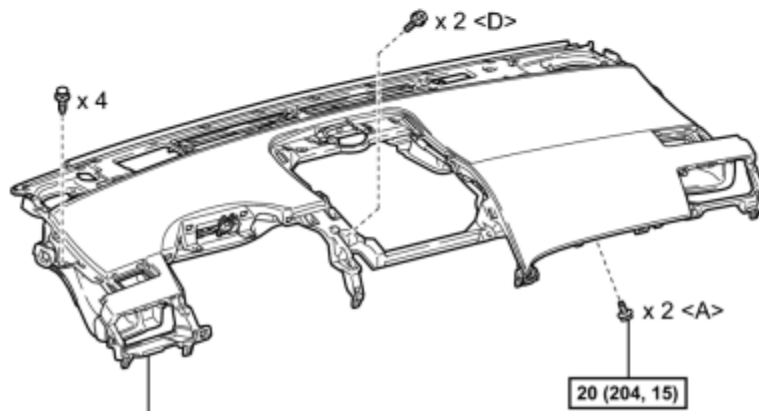


NO. 1 DEFROSTER NOZZLE GARNISH

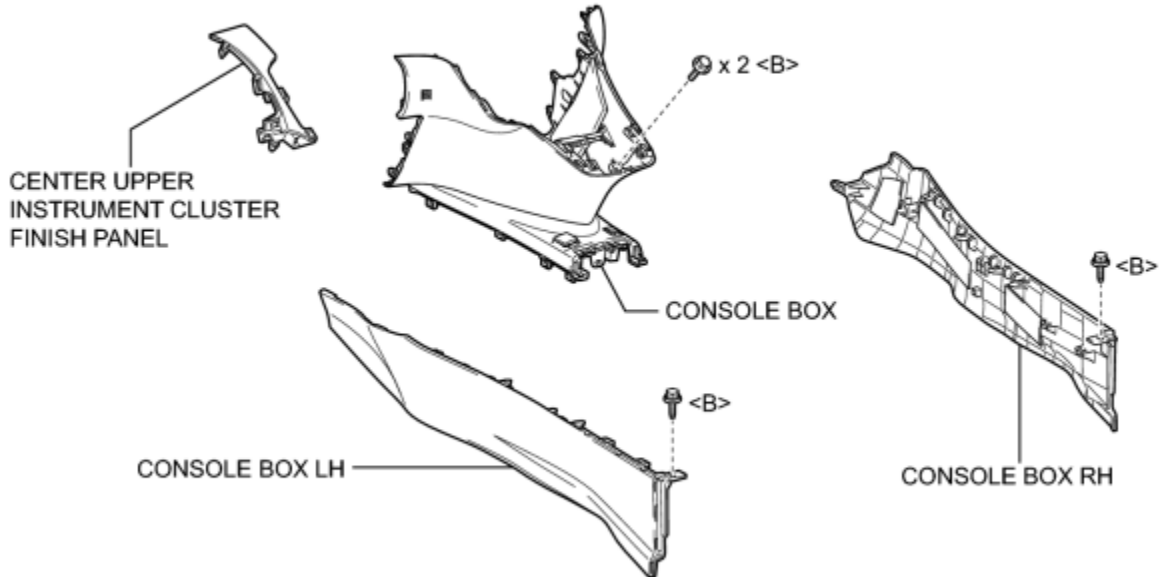
w/ Headup Display:



NO. 1 DEFROSTER NOZZLE GARNISH

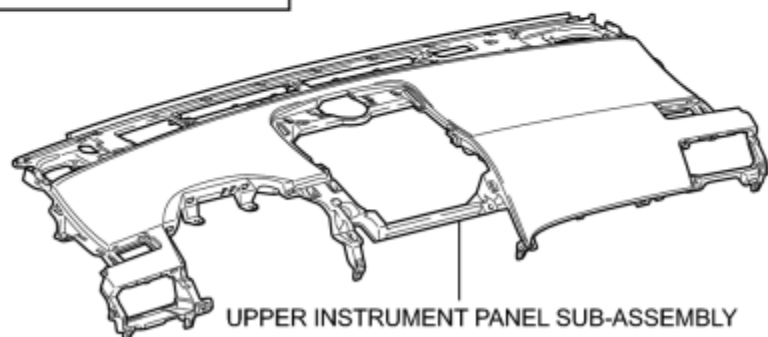
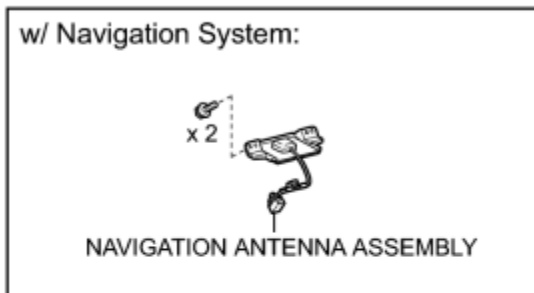
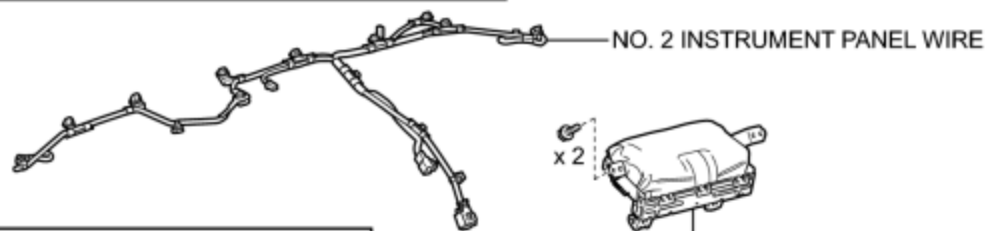
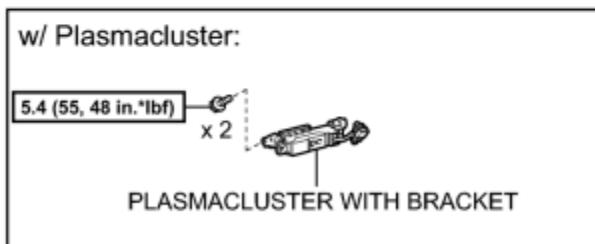
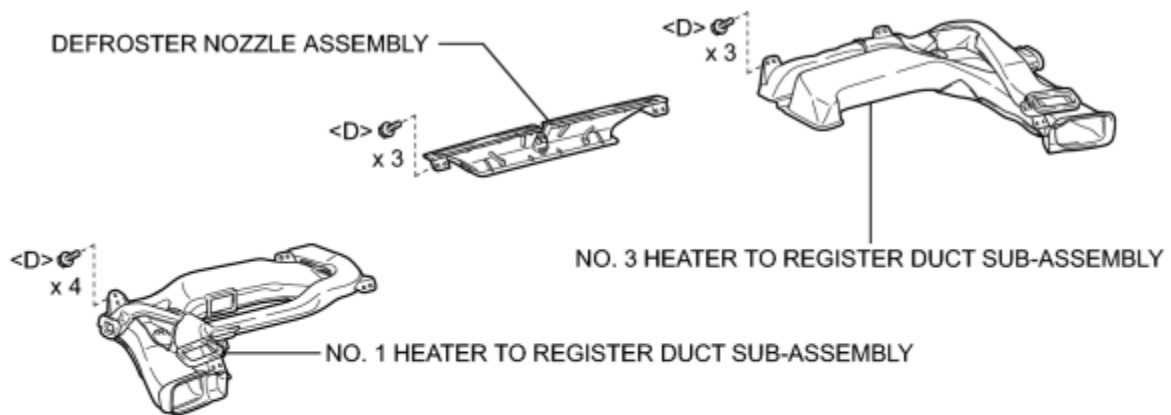


UPPER INSTRUMENT PANEL ASSEMBLY

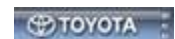


N*m (kgf*cm, ft.*lbf): Specified torque

ILLUSTRATION




N*m (kgf*cm, ft.*lbf): Specified torque



Last Modified: 5-25-2010	6.4 L	From: 200907
Model Year: 2010	Model: HS250H	Doc ID: RM00000422D002X
Title: INTERIOR PANELS / TRIM: UPPER INSTRUMENT PANEL: PRECAUTION (2010 HS250H)		

PRECAUTION

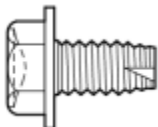
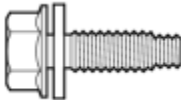
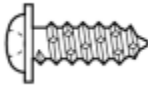

1. PRECAUTION FOR VEHICLE WITH SRS AIRBAG AND SEAT BELT PRETENSIONER

(a) Some operations in this section may affect the SRS airbags. Prior to performing the corresponding operations, read the precautions regarding the SRS airbags .

2. TABLE OF BOLT, SCREW AND NUT

HINT:

All bolts, screws and nuts relevant to installing and removing the instrument panel are shown along with their alphabet codes in the table below.

Code	Shape	Size	Code	Shape	Size
<A>		φ=8 mm (0.315 in.) Length=15 mm (0.591 in.)			φ=6 mm (0.236 in.) Length=20 mm (0.787 in.)
<C>		φ=5 mm (0.197 in.) Length=16 mm (0.630 in.)	<D>		φ=5 mm (0.197 in.) Length=14 mm (0.551 in.)



Last Modified: 5-25-2010	6.4 A	From: 200907
Model Year: 2010	Model: HS250H	Doc ID: RM00000422F002X
Title: INTERIOR PANELS / TRIM: UPPER INSTRUMENT PANEL: REMOVAL (2010 HS250H)		

REMOVAL

1. PRECAUTION

INFO

w/ Navigation System:

NOTICE:

After the power switch is turned off, the display and navigation module display (HDD navigation system) records various types of memory and settings. As a result, after turning the power switch off, make sure to wait at least 60 seconds before disconnecting the cable from the negative (-) battery terminal.

2. REMOVE LUGGAGE COMPARTMENT FLOOR MAT_

INFO

3. DISCONNECT CABLE FROM NEGATIVE BATTERY TERMINAL (for Manual Tilt and Manual Telescopic Steering Column)_

INFO

4. DISCONNECT CABLE FROM NEGATIVE BATTERY TERMINAL (for Power Tilt and Power Telescopic Steering Column)_

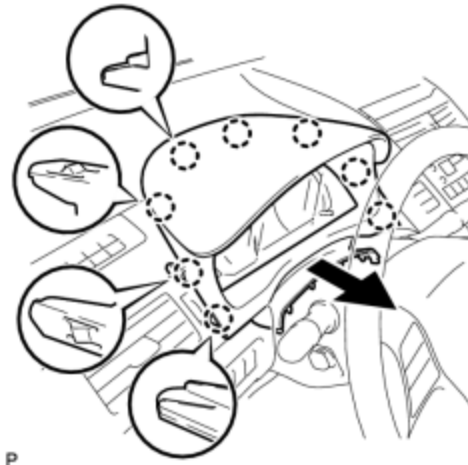
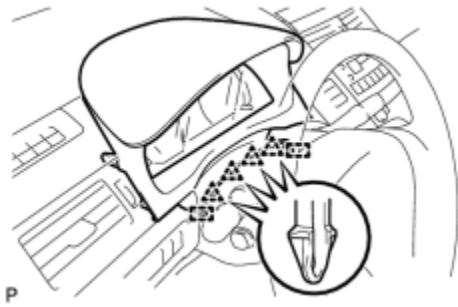
INFO

5. REMOVE METER HOOD SUB-ASSEMBLY

(a) for Manual Tilt and Manual Telescopic Steering Column:

(1) Operate the tilt and telescopic lever to fully extend and lower the steering column assembly.

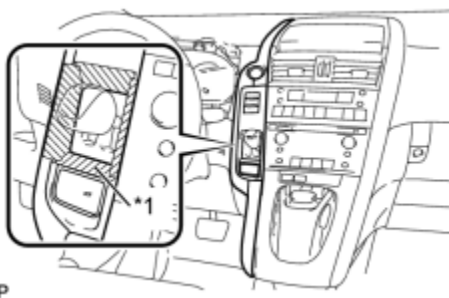
(b) Disengage the 4 clips and 2 guides.



(c) Pull the meter hood sub-assembly in the direction indicated by the arrow to disengage the 8 claws and remove it.

6. REMOVE COMBINATION METER ASSEMBLY_ INFO

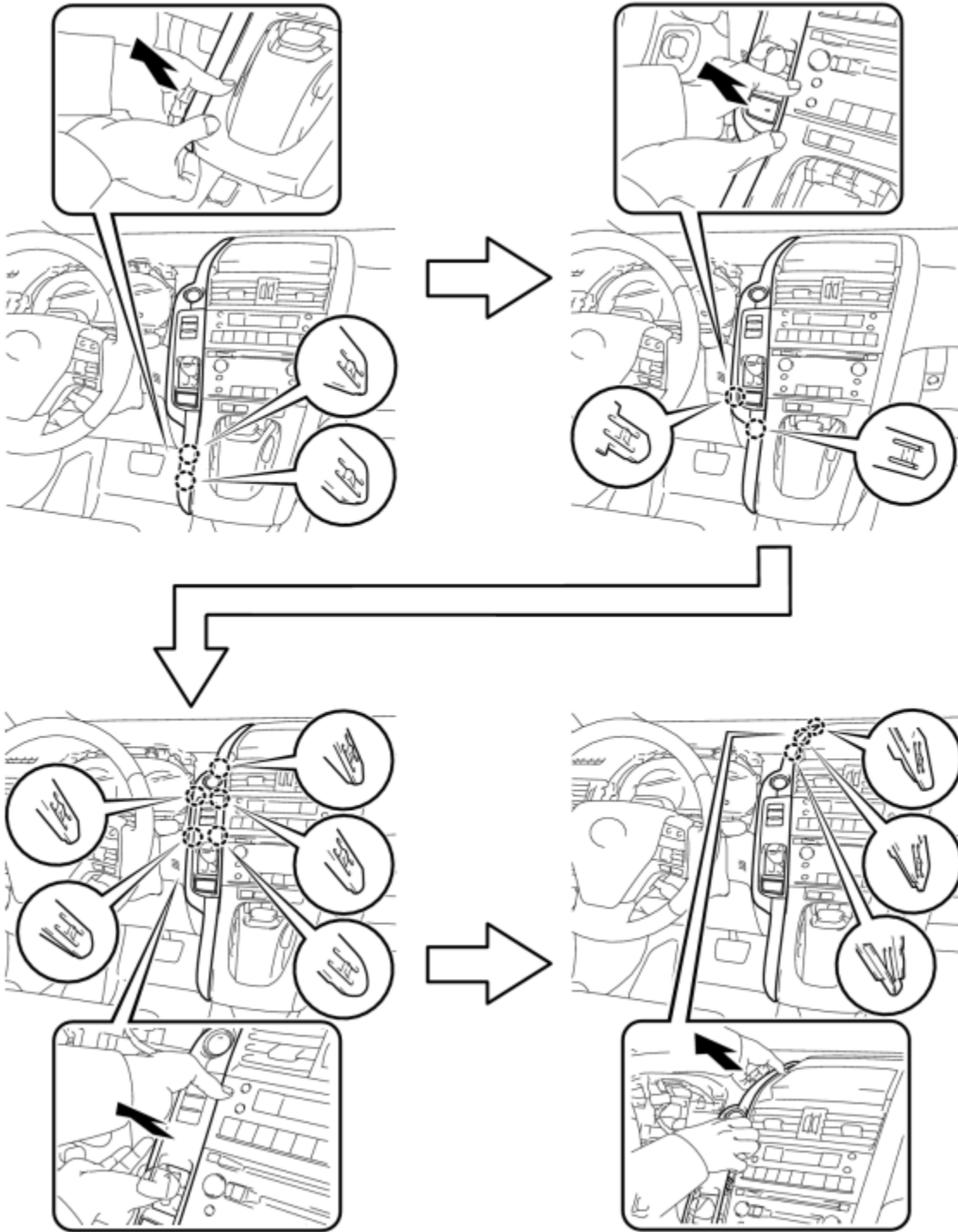
7. REMOVE INSTRUMENT PANEL FINISH PANEL END LH



(a) Apply protective tape to the areas shown in the illustration.

Text in Illustration	
*1	Protective Tape

(b) Disengage the 12 claws as shown in the illustration.



P

NOTICE:

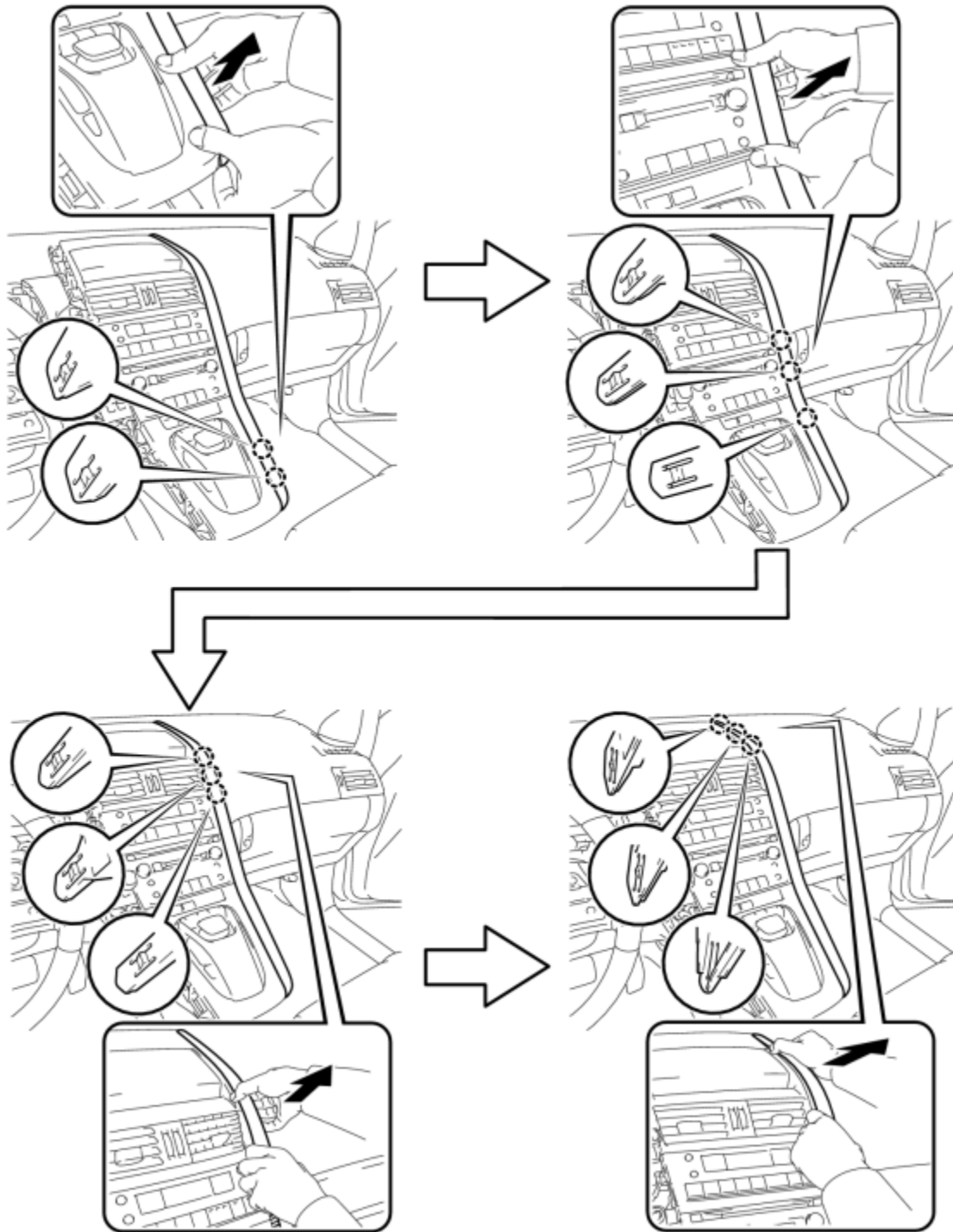
Make sure to pull the instrument panel finish panel end LH in the direction indicated by the

arrows in the illustration to disengage the claws.

(c) Disconnect each connector and remove the instrument panel finish panel end LH.

8. REMOVE INSTRUMENT PANEL FINISH PANEL END RH

(a) Disengage the 11 claws as shown in the illustration to remove the instrument panel finish panel end RH.



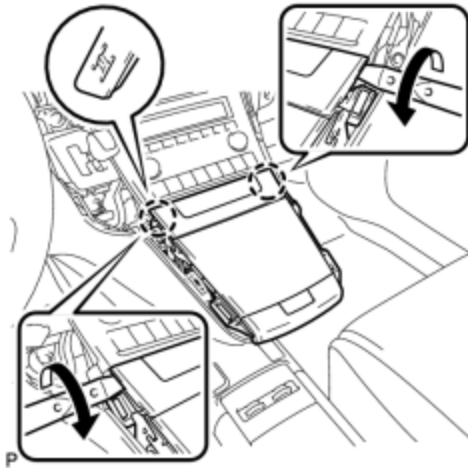
P

NOTICE:

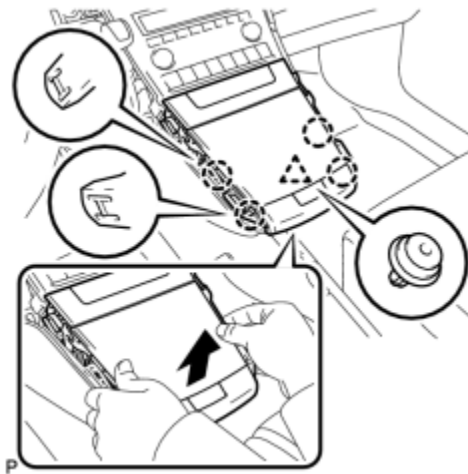
Make sure to pull the instrument panel finish panel end RH in the direction indicated by the

arrows in the illustration to disengage the claws.

9. REMOVE INSTRUMENT CLUSTER FINISH PANEL GARNISH ASSEMBLY (w/o Navigation System)



(a) Using a moulding remover, disengage the 2 claws as shown in the illustration.

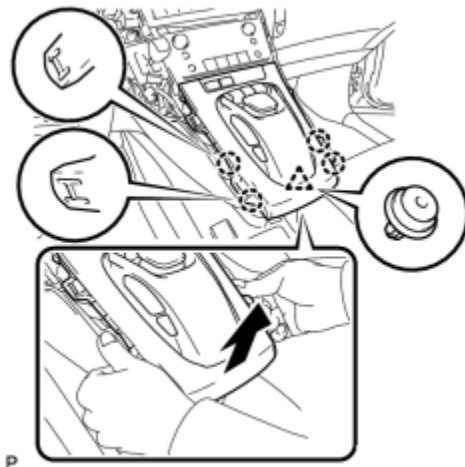
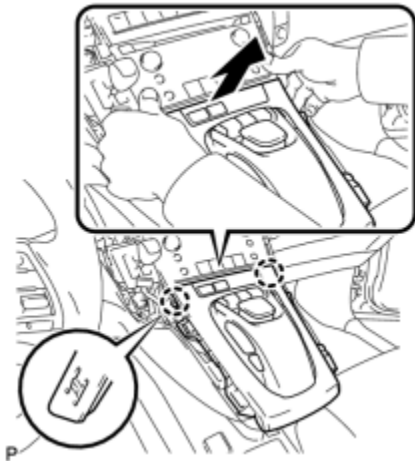


(b) Pull the instrument cluster finish panel garnish assembly in the direction indicated by the arrow to disengage the 4 claws and clip.

(c) Disconnect each connector and remove the instrument cluster finish panel garnish assembly.

10. REMOVE REMOTE TOUCH ASSEMBLY (w/ Navigation System)

(a) Pull the remote touch assembly in the direction indicated by the arrow to disengage the 2 claws.



(b) Pull the remote touch assembly in the direction indicated by the arrow to disengage the 4 claws and clip.

(c) Disconnect each connector and remove the remote touch assembly.

11. REMOVE CENTER INSTRUMENT PANEL REGISTER ASSEMBLY

(a) Hold the part as shown in the illustration, disengage the 5 claws and 2 clips, and remove the center instrument panel register assembly.

Text in Illustration	
*a	Correct
*b	Incorrect

NOTICE:

- Make sure to pull on the part as shown in the

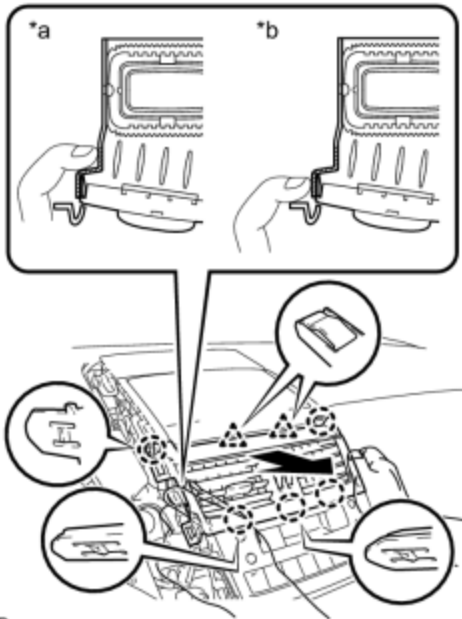
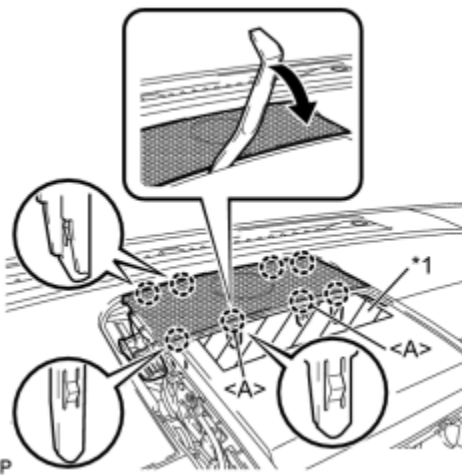


illustration or damage may occur to the center instrument panel register assembly.

- Make sure to pull the center instrument panel register assembly in the direction indicated by the arrow in the illustration to disengage the claws.

12. REMOVE NO. 2 INSTRUMENT CLUSTER FINISH PANEL SUB-ASSEMBLY (for 10 Speakers)



(a) Apply protective tape to the areas shown in the illustration.

Text in Illustration

*1

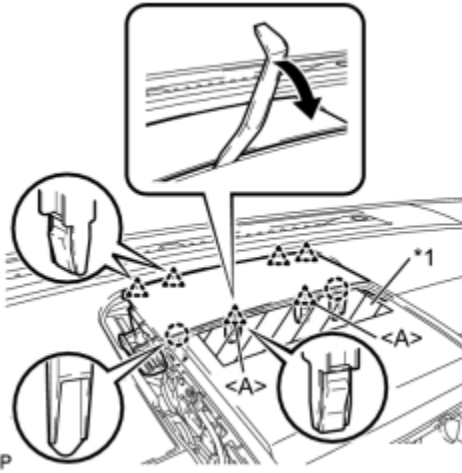
Protective Tape

(b) Disengage the 8 claws and remove the No. 2 instrument cluster finish panel sub-assembly.

NOTICE:

Make sure to use a moulding remover when disengaging the 2 claws <A> or the No. 2 instrument cluster finish panel sub-assembly may deform.

13. REMOVE NO. 2 INSTRUMENT CLUSTER FINISH PANEL SUB-ASSEMBLY (for 15 Speakers)



(a) Apply protective tape to the areas shown in the illustration.

<p>Text in Illustration</p> <p>*1</p>	<p>Protective Tape</p>
--	------------------------

(b) Disengage the 2 claws and 6 clips, and remove the No. 2 instrument cluster finish panel sub-assembly.

NOTICE:

Make sure to use a moulding remover when disengaging the 2 clips <A> or the No. 2 instrument cluster finish panel sub-assembly may deform.

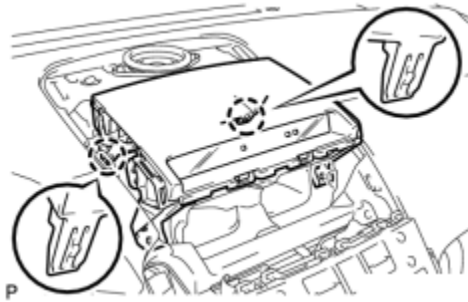
14. REMOVE FRONT NO. 3 SPEAKER ASSEMBLY_ INFO

15. REMOVE CENTER INSTRUMENT CLUSTER FINISH PANEL ASSEMBLY (w/o Navigation System)



(a) Remove the 2 bolts .

(b) Disengage the 2 claws.



(c) Disconnect the connector and remove the center instrument cluster finish panel assembly.

16. REMOVE CENTER INSTRUMENT CLUSTER FINISH PANEL ASSEMBLY (w/ Navigation System) [INFO](#)

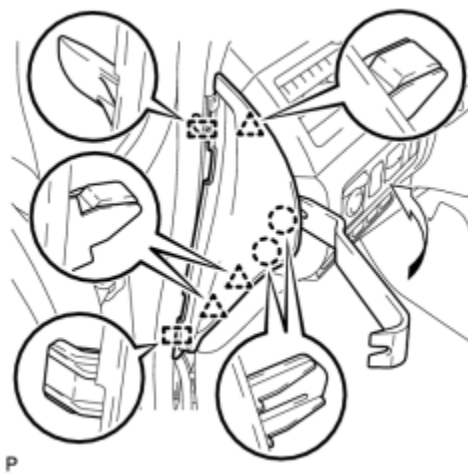
17. REMOVE INTEGRATION CONTROL PANEL WITH RADIO RECEIVER ASSEMBLY [INFO](#)

18. REMOVE FRONT DOOR SCUFF PLATE LH [INFO](#)

19. REMOVE FRONT DOOR OPENING TRIM COVER LH [INFO](#)

20. REMOVE COWL SIDE TRIM BOARD LH [INFO](#)

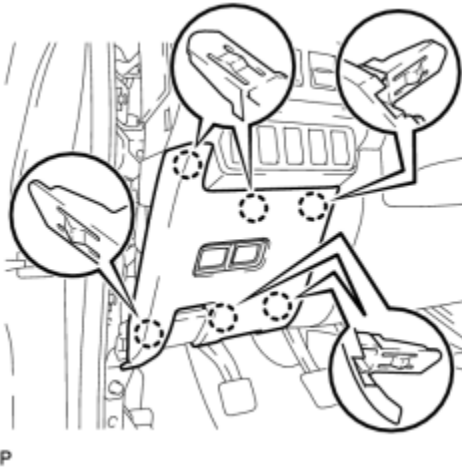
21. REMOVE INSTRUMENT SIDE PANEL LH



(a) Using a moulding remover, disengage the 2 claws, 3 clips and 2 guides, and remove the instrument side panel LH.

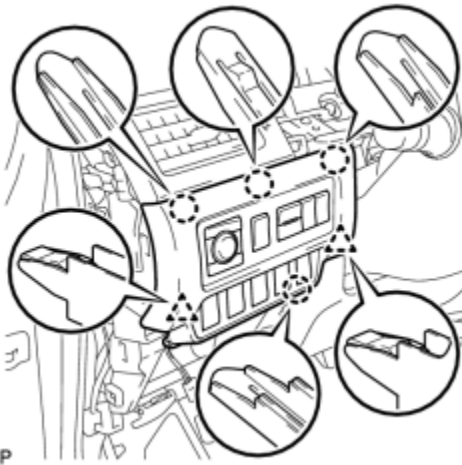
22. REMOVE LOWER INSTRUMENT PANEL FINISH PANEL

(a) Disengage the 6 claws.



(b) Disconnect each connector and remove the lower instrument panel finish panel.

23. REMOVE NO. 1 SWITCH HOLE BASE

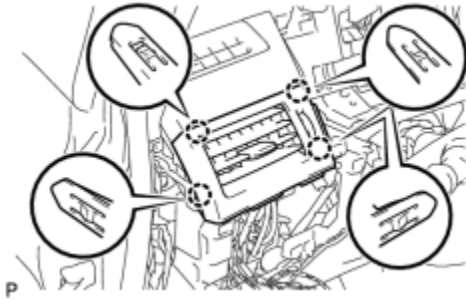


(a) Disengage the 4 claws and 2 clips.

(b) Disconnect each connector and remove the No. 1 switch hole base.

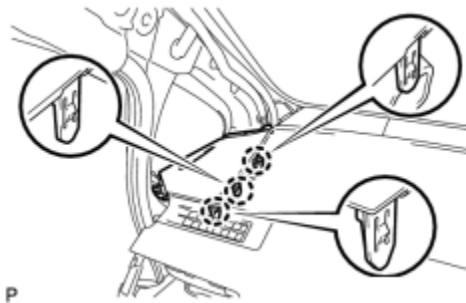
24. REMOVE NO. 1 INSTRUMENT PANEL REGISTER ASSEMBLY

(a) Disengage the 4 claws and remove the No. 1 instrument panel register assembly.



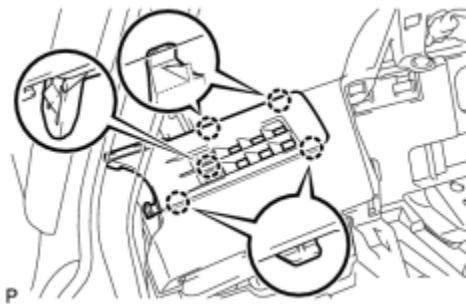
25. REMOVE FRONT PILLAR GARNISH LH INFO

26. REMOVE FRONT PILLAR GARNISH CORNER PIECE LH



(a) Disengage the 3 claws and remove the front pillar garnish corner piece LH.

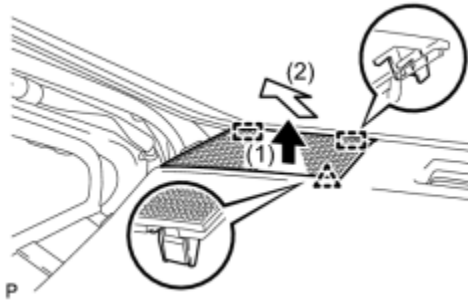
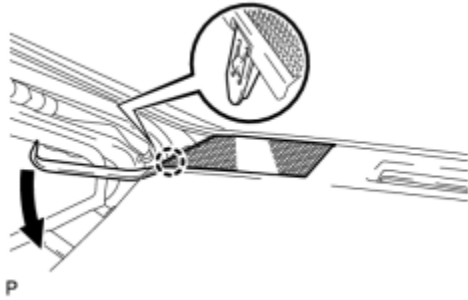
27. REMOVE SIDE DEFROSTER NOZZLE LH



(a) Disengage the 5 claws and remove the side defroster nozzle LH.

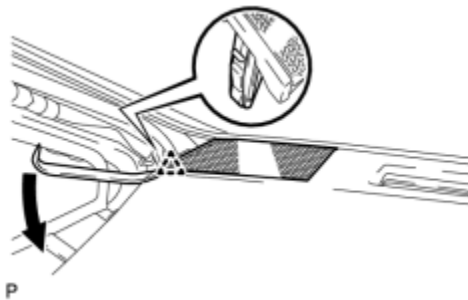
28. REMOVE NO. 2 INSTRUMENT PANEL SPEAKER PANEL SUB-ASSEMBLY (for 10 Speakers)

(a) Using a moulding remover, disengage the claw.

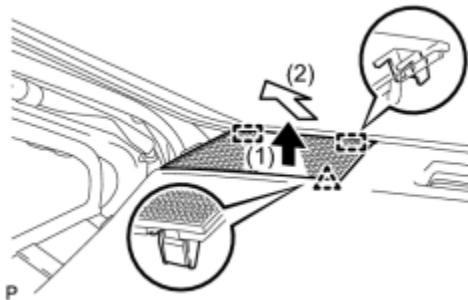


(b) Disengage the clip and 2 guides, and remove the No. 2 instrument panel speaker panel sub-assembly as shown in the illustration.

29. REMOVE NO. 2 INSTRUMENT PANEL SPEAKER PANEL SUB-ASSEMBLY (for 15 Speakers)



(a) Using a moulding remover, disengage the clip.



(b) Disengage the clip and 2 guides, and remove the No. 2 instrument panel speaker panel sub-assembly as shown in the illustration.

30. REMOVE FRONT NO. 2 SPEAKER ASSEMBLY (for LH Side) INFO

31. REMOVE FRONT DOOR SCUFF PLATE RH

HINT:

Use the same procedure as for the LH side.

32. REMOVE FRONT DOOR OPENING TRIM COVER RH

HINT:

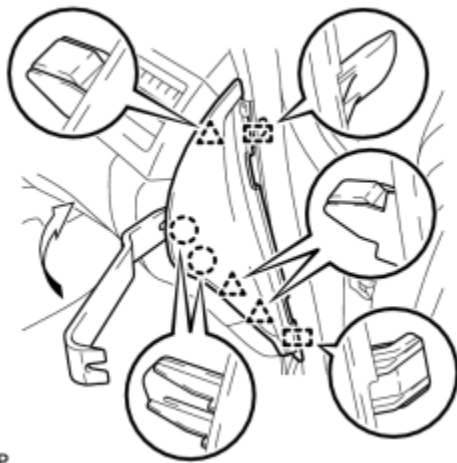
Use the same procedure as for the LH side.

33. REMOVE COWL SIDE TRIM BOARD RH

HINT:

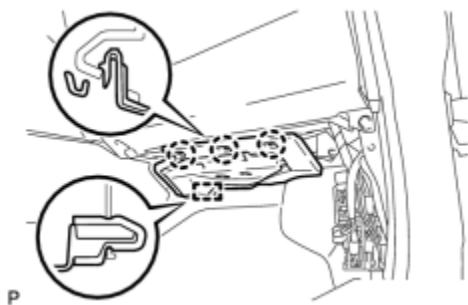
Use the same procedure as for the LH side.

34. REMOVE INSTRUMENT SIDE PANEL RH



(a) Using a moulding remover, disengage the 2 claws, 3 clips and 2 guides, and remove the instrument side panel RH.

35. REMOVE NO. 2 INSTRUMENT PANEL UNDER COVER SUB-ASSEMBLY

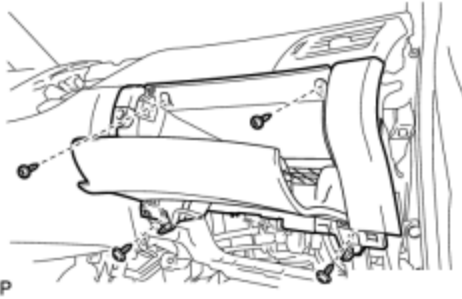


(a) Disengage the 3 claws and guide.

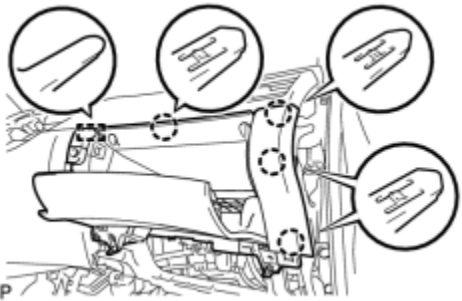
(b) Disconnect the connector and remove the No. 2 instrument panel under cover sub-assembly.

36. REMOVE FRONT PASSENGER SIDE KNEE AIRBAG ASSEMBLY INFO

37. REMOVE GLOVE COMPARTMENT DOOR ASSEMBLY



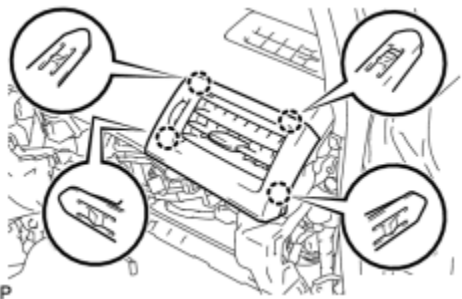
(a) Remove the 4 screws <C>.



(b) Disengage the 4 claws and guide.

(c) Disconnect each connector and remove the glove compartment door assembly.

38. REMOVE NO. 2 INSTRUMENT PANEL REGISTER ASSEMBLY



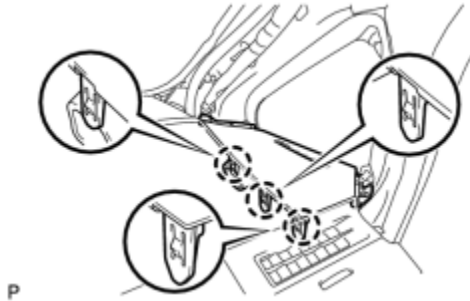
(a) Disengage the 4 claws and remove the No. 2 instrument panel register assembly.

39. REMOVE FRONT PILLAR GARNISH RH

HINT:

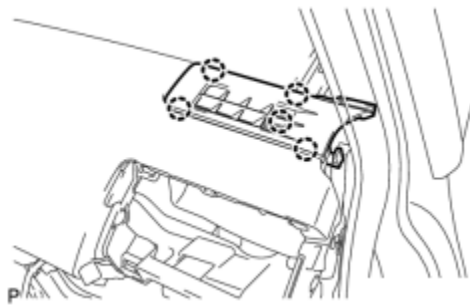
Use the same procedure as for the LH side.

40. REMOVE FRONT PILLAR GARNISH CORNER PIECE RH



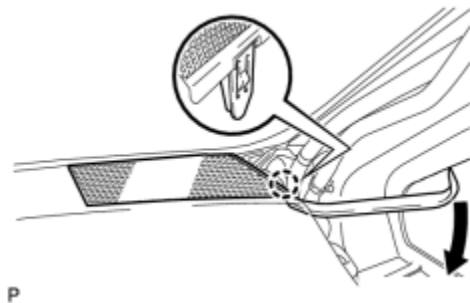
(a) Disengage the 3 claws and remove the front pillar garnish corner piece RH.

41. REMOVE SIDE DEFROSTER NOZZLE RH



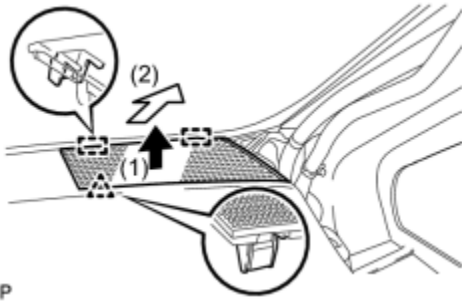
(a) Disengage the 5 claws and remove the side defroster nozzle RH.

42. REMOVE NO. 1 INSTRUMENT PANEL SPEAKER PANEL SUB-ASSEMBLY (for 10 Speakers)

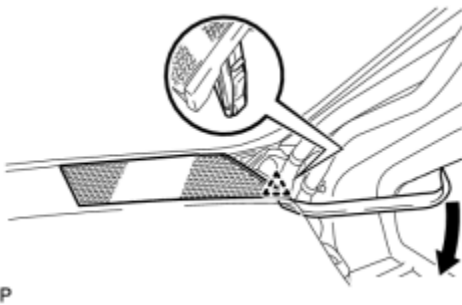


(a) Using a moulding remover, disengage the claw.

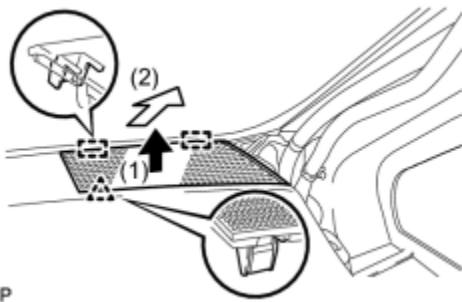
(b) Disengage the clip and 2 guides, and remove the No. 1 instrument panel speaker panel sub-assembly as shown in the illustration.



43. REMOVE NO. 1 INSTRUMENT PANEL SPEAKER PANEL SUB-ASSEMBLY (for 15 Speakers)



(a) Using a moulding remover, disengage the clip.



(b) Disengage the clip and 2 guides, and remove the No. 1 instrument panel speaker panel sub-assembly as shown in the illustration.

44. REMOVE FRONT NO. 2 SPEAKER ASSEMBLY (for RH Side)

HINT:

Use the same procedure as for the LH side.

45. REMOVE FRONT CONSOLE BOX COVER_ [INFO](#)

46. REMOVE FRONT CONSOLE UPPER PANEL GARNISH (w/o Seat Heater System)_ [INFO](#)

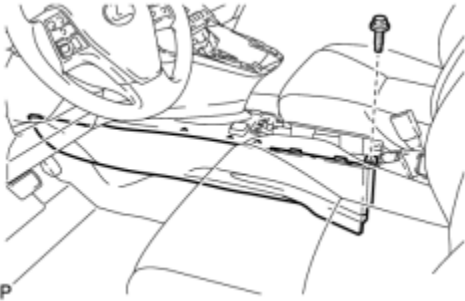
47. REMOVE FRONT CONSOLE UPPER PANEL GARNISH (w/ Seat Heater System)_ [INFO](#)

48. REMOVE REAR CONSOLE PANEL SUB-ASSEMBLY_ [INFO](#)

49. REMOVE CONSOLE BOX CARPET_ [INFO](#)

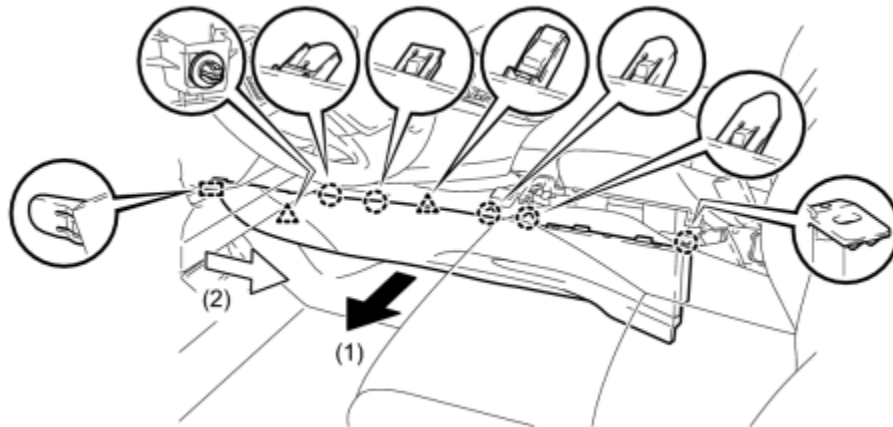
50. REMOVE REAR CONSOLE BOX SUB-ASSEMBLY_ [INFO](#)

51. REMOVE CONSOLE BOX LH



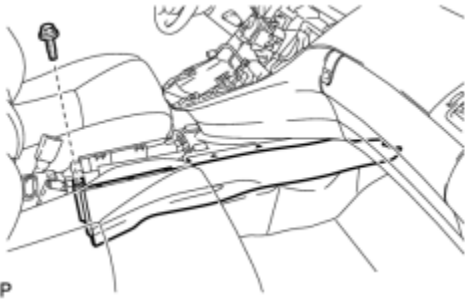
(a) Remove the bolt .

(b) Disengage the 5 claws, 2 clips and guide, and remove the console box LH as shown in the illustration.

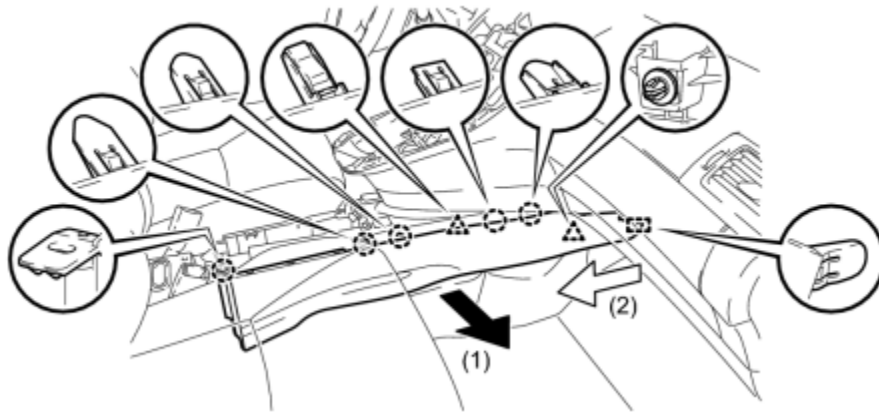


52. REMOVE CONSOLE BOX RH

(a) Remove the bolt .



(b) Disengage the 5 claws, 2 clips and guide, and remove the console box RH as shown in the illustration.



53. REMOVE CONSOLE BOX



(a) Remove the 2 bolts .

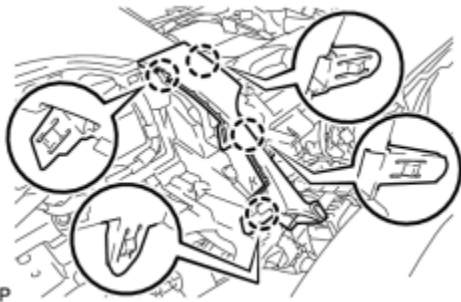
(b) Disconnect the 2 connectors.

(c) Disengage the clamp.



(d) Disengage the 10 claws and remove the console box.

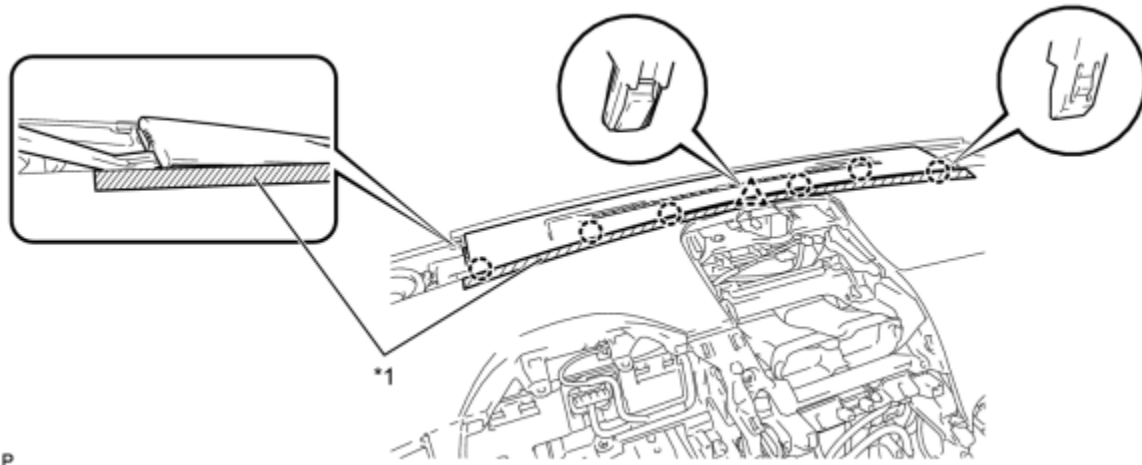
54. REMOVE CENTER UPPER INSTRUMENT CLUSTER FINISH PANEL



(a) Disengage the 4 claws and remove the center upper instrument cluster finish panel.

55. REMOVE NO. 1 DEFROSTER NOZZLE GARNISH (w/o Headup Display)

(a) Apply protective tape to the areas shown in the illustration.



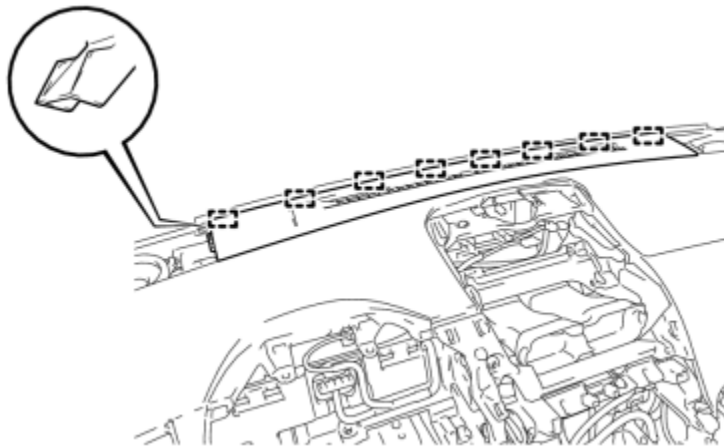
P

Text in Illustration

*1	Protective Tape	-	-
----	-----------------	---	---

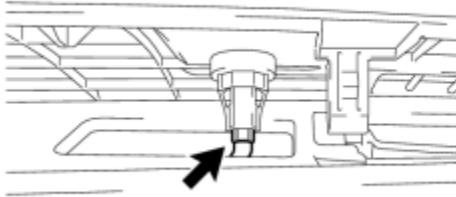
(b) Using a moulding remover, disengage the clip and 6 claws.

(c) Disengage the 8 guides.



P

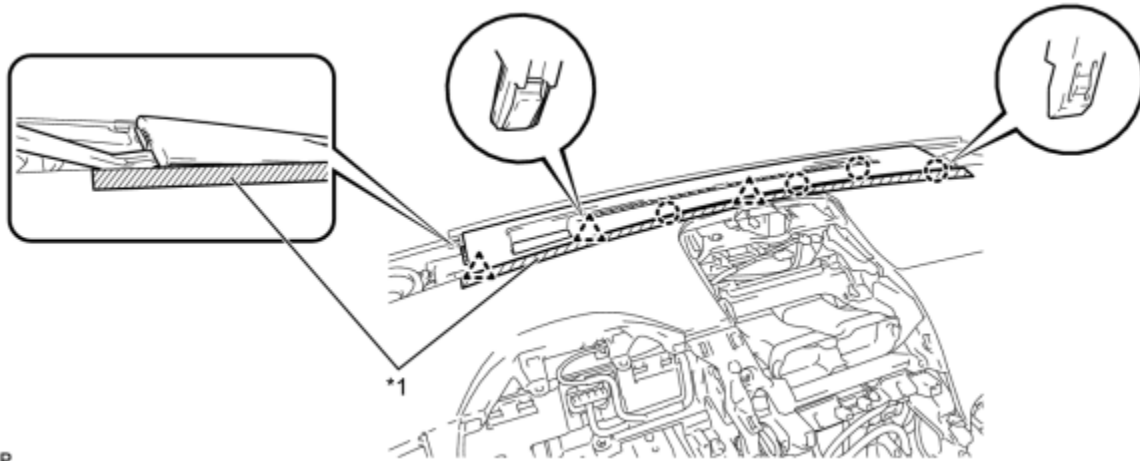
(d) Disconnect the connector and remove the No. 1 defroster nozzle garnish.



P

56. REMOVE NO. 1 DEFROSTER NOZZLE GARNISH (w/ Headup Display)

(a) Apply protective tape to the areas shown in the illustration.



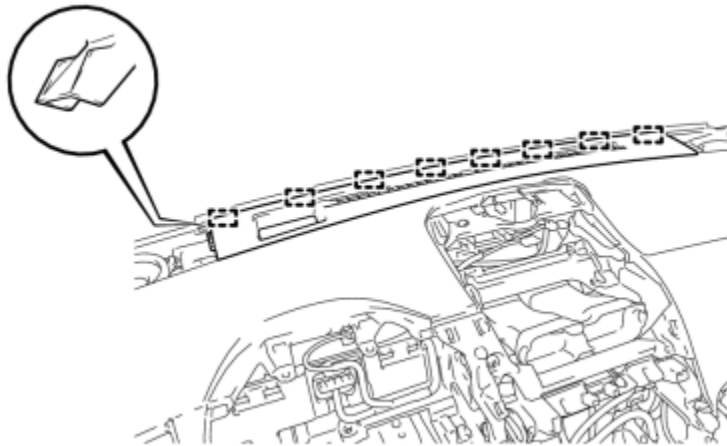
P

Text in Illustration

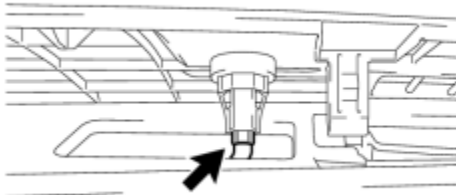
*1	Protective Tape	-	-
----	-----------------	---	---

(b) Using a moulding remover, disengage the 3 clips and 4 claws.

(c) Disengage the 8 guides.



P



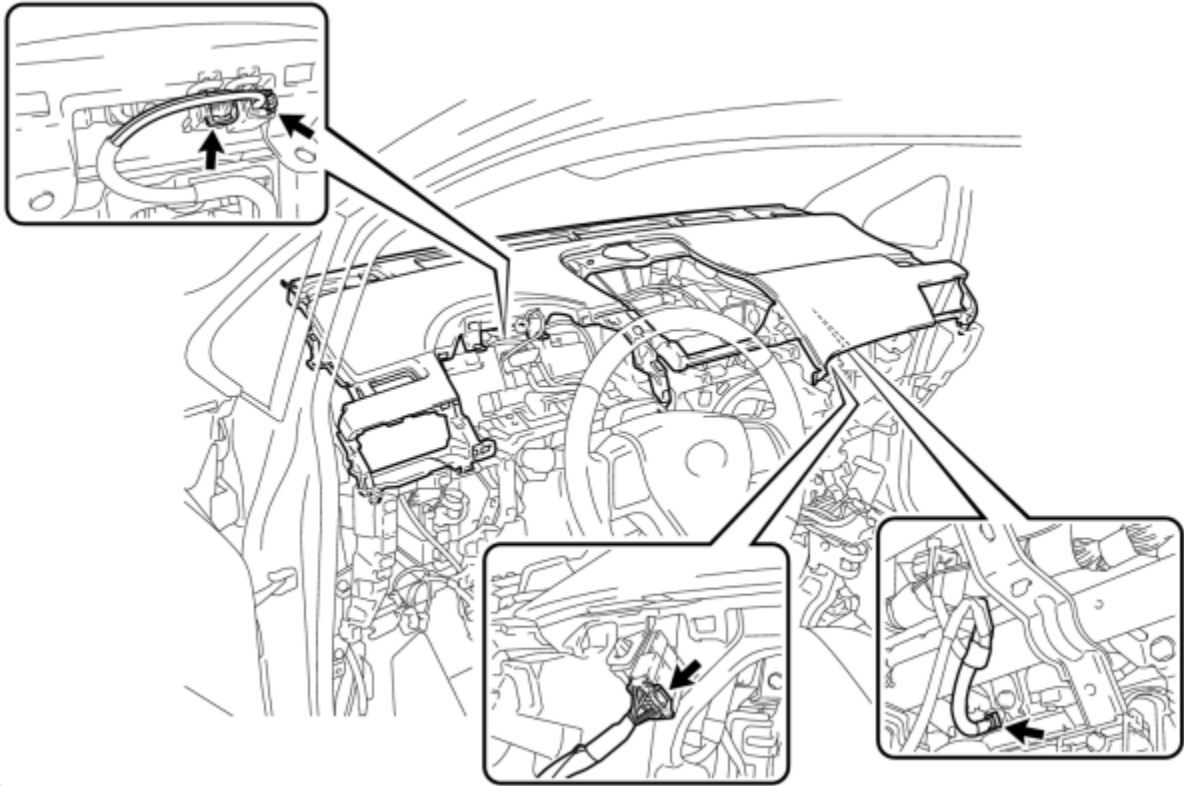
(d) Disconnect the connector and remove the No. 1 defroster nozzle garnish.

P

57. DISCONNECT NO. 3 INSTRUMENT PANEL WIRE INFO

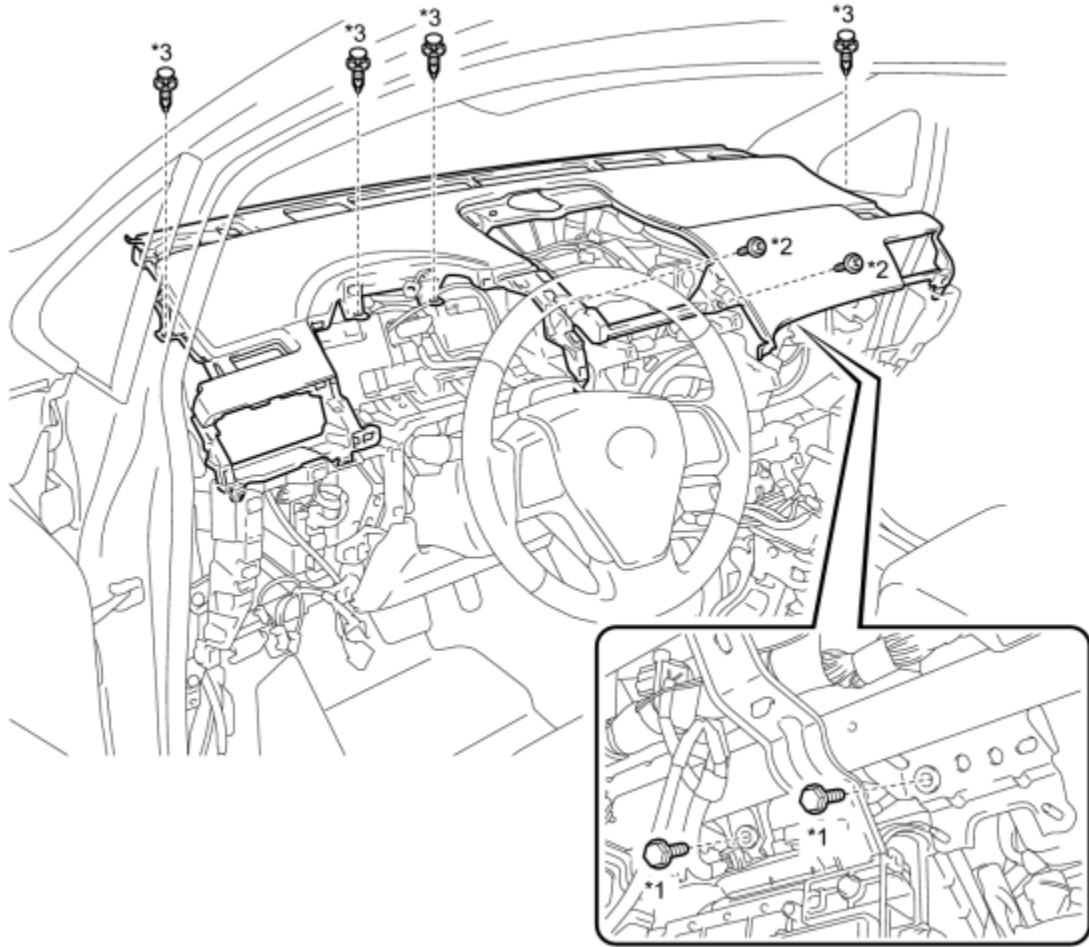
58. REMOVE UPPER INSTRUMENT PANEL ASSEMBLY

(a) Disconnect each connector.



P

(b) Remove the 4 clips.



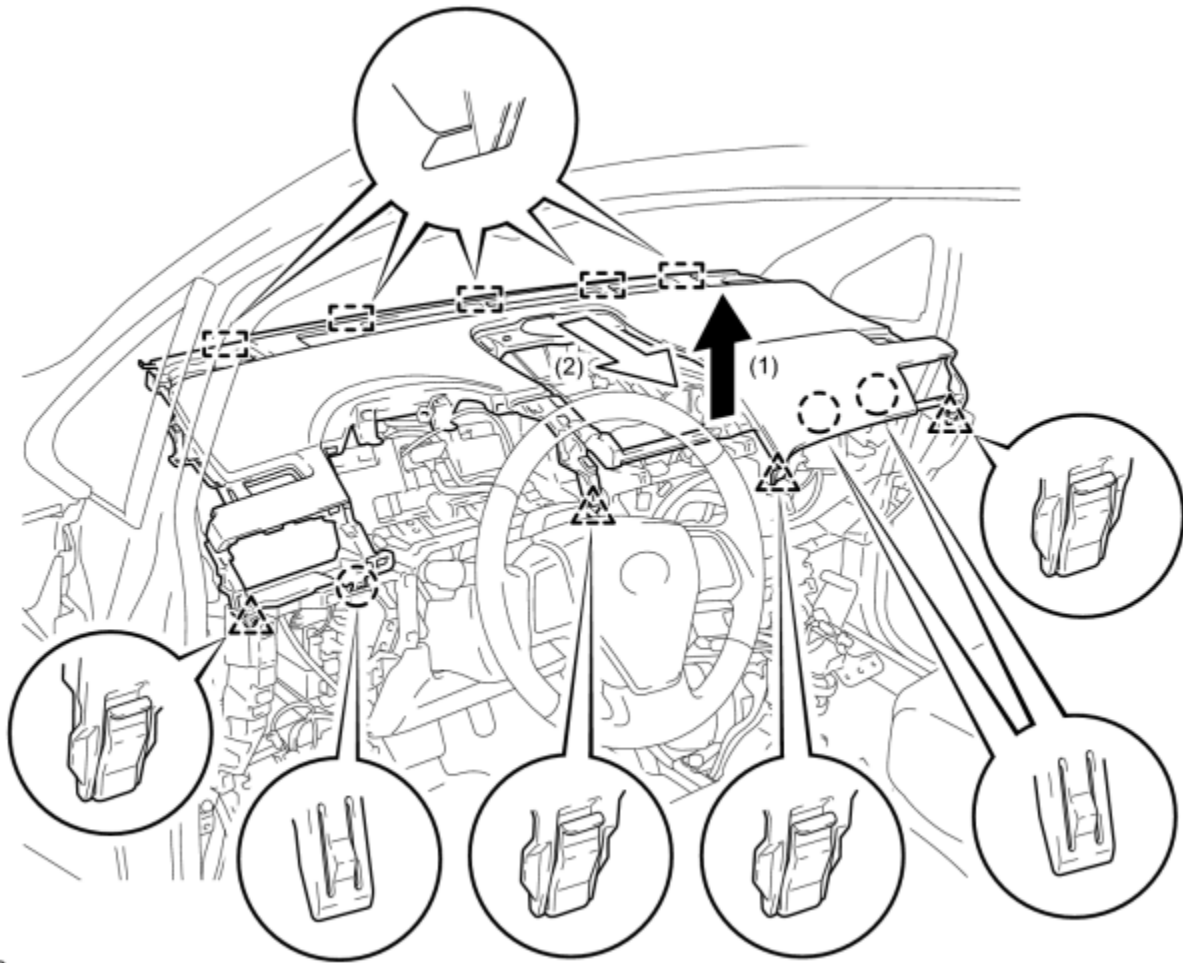
P

Text in Illustration

*1	Bolt <A>	*2	Screw <D>
*3	Clip	-	-

(c) Remove the 2 bolts <A> and 2 screws <D>.

(d) Disengage the 3 claws and 4 clips.

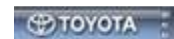


P

(e) Disengage the 5 guides and remove the upper instrument panel assembly as shown in the illustration.

NOTICE:

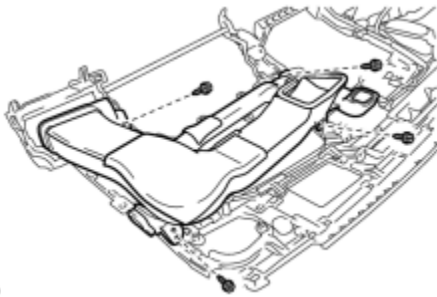
Do not damage the upper instrument panel assembly.



Last Modified: 5-25-2010	6.4 A	From: 200907
Model Year: 2010	Model: HS250H	Doc ID: RM00000422G002X
Title: INTERIOR PANELS / TRIM: UPPER INSTRUMENT PANEL: DISASSEMBLY (2010 HS250H)		

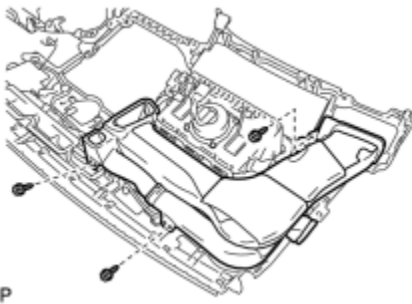
DISASSEMBLY

1. REMOVE NO. 1 HEATER TO REGISTER DUCT SUB-ASSEMBLY



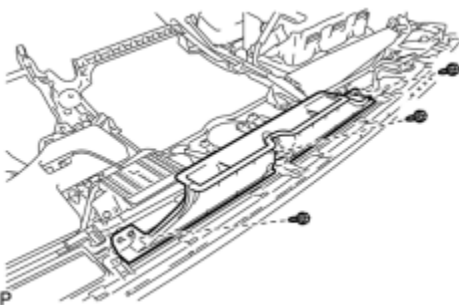
(a) Remove the 4 screws <D> and No. 1 heater to register duct sub-assembly.

2. REMOVE NO. 3 HEATER TO REGISTER DUCT SUB-ASSEMBLY



(a) Remove the 3 screws <D> and No. 3 heater to register duct sub-assembly.

3. REMOVE DEFROSTER NOZZLE ASSEMBLY



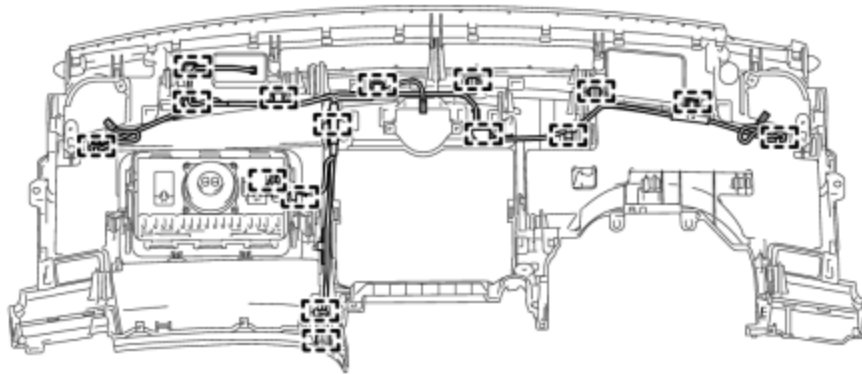
(a) Remove the 3 screws <D> and defroster nozzle assembly.

4. REMOVE PLASMACLUSTER WITH BRACKET (w/ Plasmacluster) INFO

5. REMOVE NAVIGATION ANTENNA ASSEMBLY (w/ Navigation System) INFO

6. REMOVE NO. 2 INSTRUMENT PANEL WIRE

(a) Disengage each clamp and remove the No. 2 instrument panel wire.



P

7. REMOVE FRONT PASSENGER AIRBAG ASSEMBLY INFO



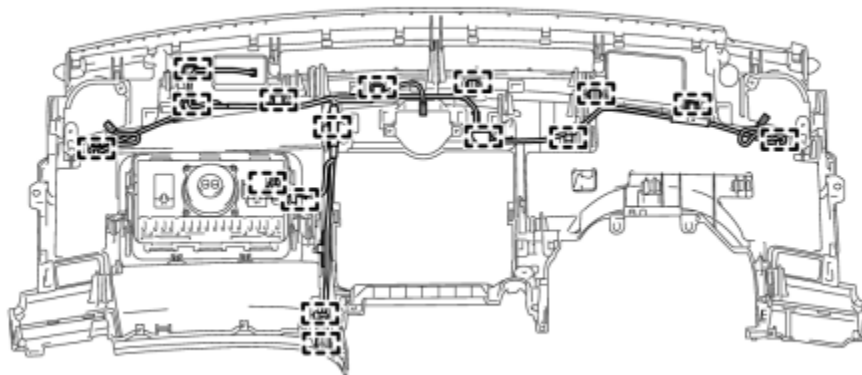
Last Modified: 5-25-2010	6.4 A	From: 200907
Model Year: 2010	Model: HS250H	Doc ID: RM00000422H002X
Title: INTERIOR PANELS / TRIM: UPPER INSTRUMENT PANEL: REASSEMBLY (2010 HS250H)		

REASSEMBLY

1. INSTALL FRONT PASSENGER AIRBAG ASSEMBLY [INFO](#)

2. INSTALL NO. 2 INSTRUMENT PANEL WIRE

(a) Engage each clamp to install the No. 2 instrument panel wire.



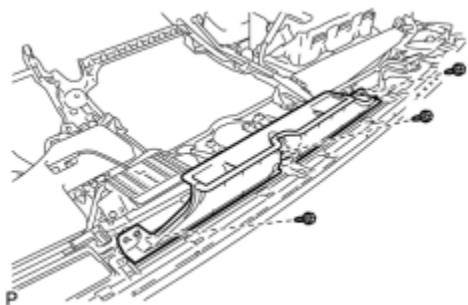
P

3. INSTALL NAVIGATION ANTENNA ASSEMBLY (w/ Navigation System) [INFO](#)

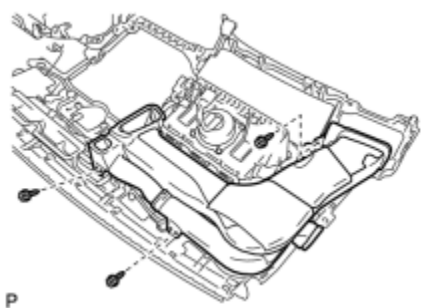
4. INSTALL PLASMACLUSTER WITH BRACKET (w/ Plasmacluster) [INFO](#)

5. INSTALL DEFROSTER NOZZLE ASSEMBLY

(a) Install the defroster nozzle assembly with the 3 screws <D>.

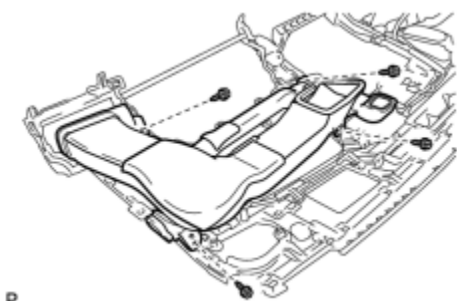


6. INSTALL NO. 3 HEATER TO REGISTER DUCT SUB-ASSEMBLY

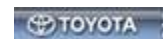


(a) Install the No. 3 heater to register duct sub-assembly with the 3 screws <D>.

7. INSTALL NO. 1 HEATER TO REGISTER DUCT SUB-ASSEMBLY



(a) Install the No. 1 heater to register duct sub-assembly with the 4 screws <D>.



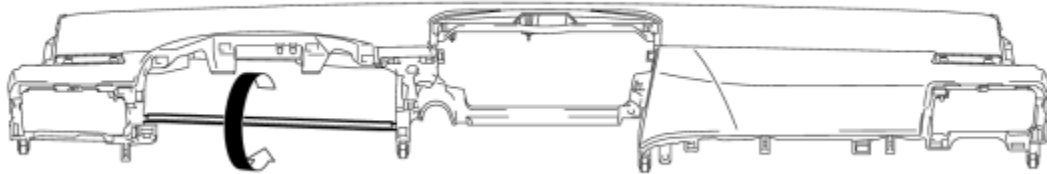
Last Modified: 5-25-2010	6.4 A	From: 200907
Model Year: 2010	Model: HS250H	Doc ID: RM00000422C002X
Title: INTERIOR PANELS / TRIM: UPPER INSTRUMENT PANEL: INSTALLATION (2010 HS250H)		

INSTALLATION

1. INSTALL UPPER INSTRUMENT PANEL ASSEMBLY

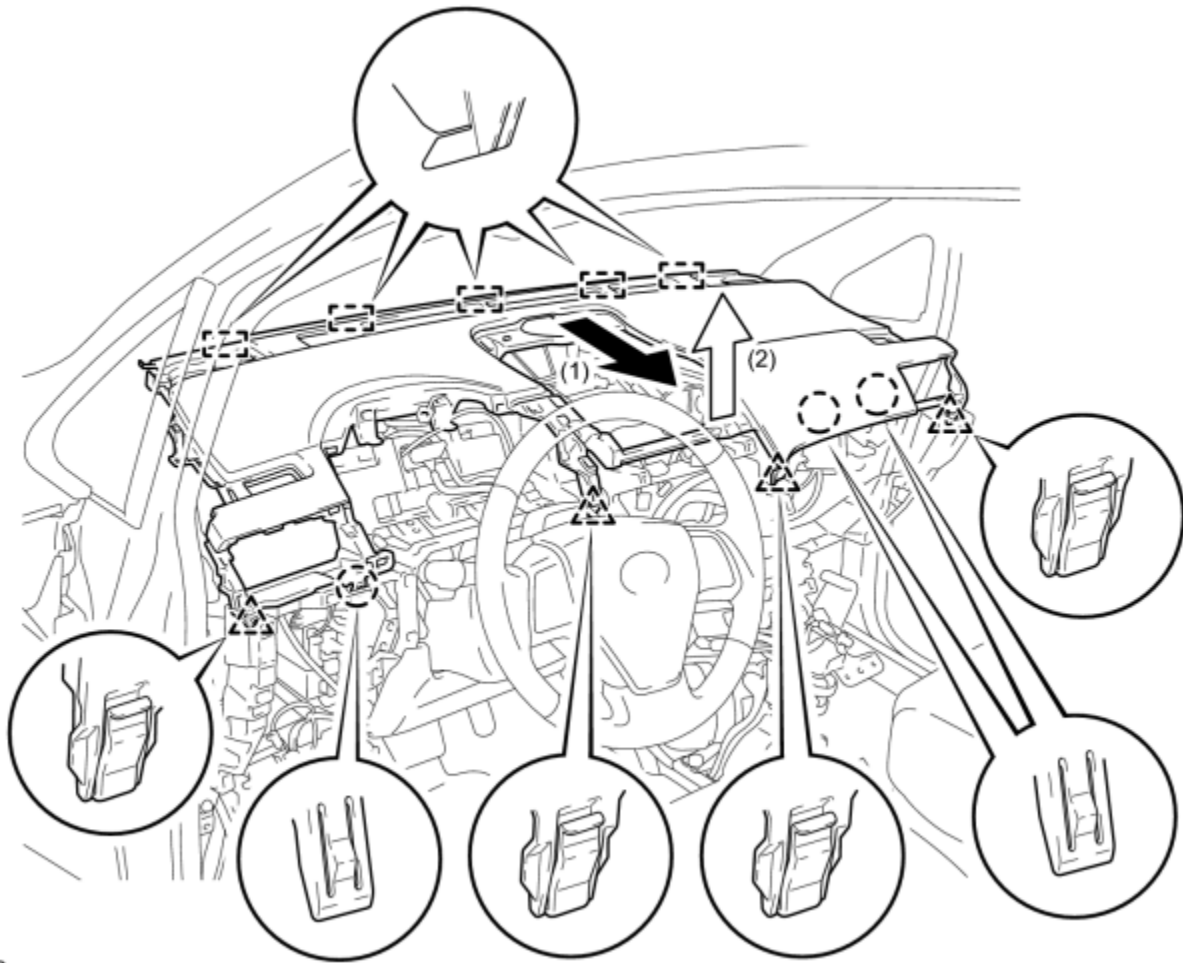
(a) When using a new upper instrument panel sub-assembly:

(1) Immediately before installing the upper instrument panel assembly, twist and cut off the portion shown in the illustration.



P

(b) Engage the 5 guides.



NOTICE:

Do not damage the upper instrument panel assembly.

(c) Engage the 3 claws and 4 clips.

(d) Install the upper instrument panel assembly with the 2 bolts <A>, 2 screws <D> and 4 clips.

Bolt <A> - Torque: **20 N·m (204 kgf·cm, 15ft·lbf)**

(e) Connect each connector.

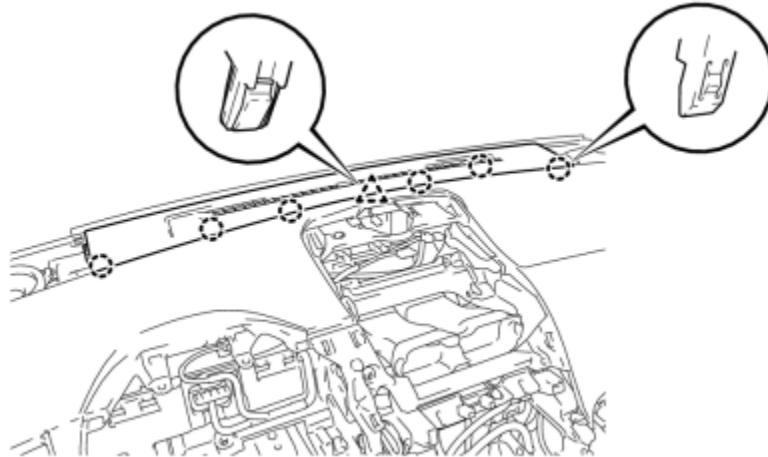
2. CONNECT NO. 3 INSTRUMENT PANEL WIRE INFO

3. INSTALL NO. 1 DEFROSTER NOZZLE GARNISH (w/o Headup Display)

(a) Connect the connector.

(b) Engage the 8 guides.

(c) Engage the 6 claws and clip to install the No. 1 defroster nozzle garnish.

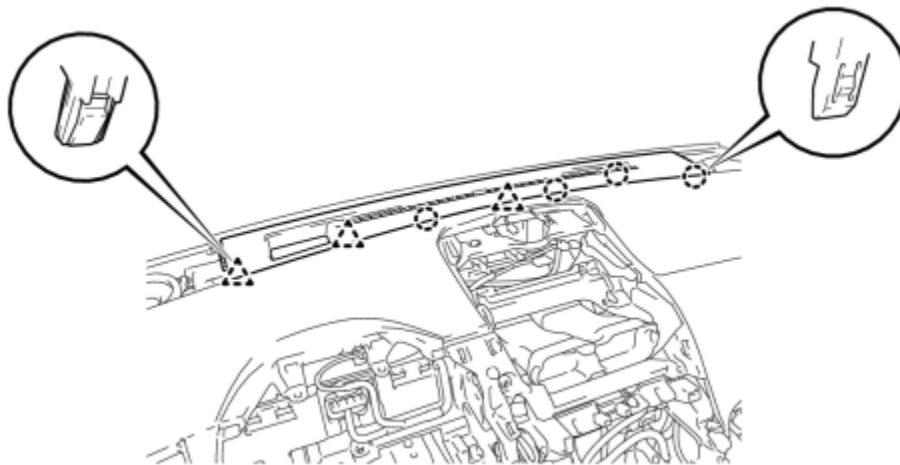


4. INSTALL NO. 1 DEFROSTER NOZZLE GARNISH (w/ Headup Display)

(a) Connect the connector.

(b) Engage the 8 guides.

(c) Engage the 4 claws and 3 clips to install the No. 1 defroster nozzle garnish.



5. INSTALL CENTER UPPER INSTRUMENT CLUSTER FINISH PANEL

(a) Engage the 4 claws to install the center upper instrument cluster finish panel.

6. INSTALL CONSOLE BOX

(a) Engage the 10 claws to install the console box.

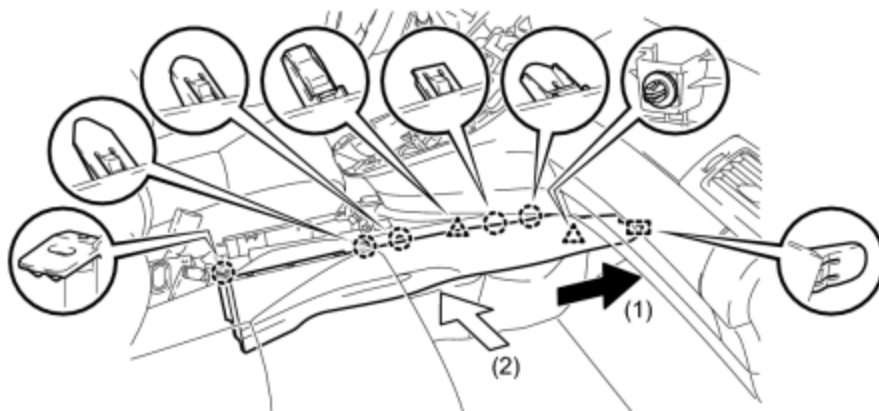
(b) Engage the clamp.

(c) Connect the 2 connectors.

(d) Install the 2 bolts .

7. INSTALL CONSOLE BOX RH

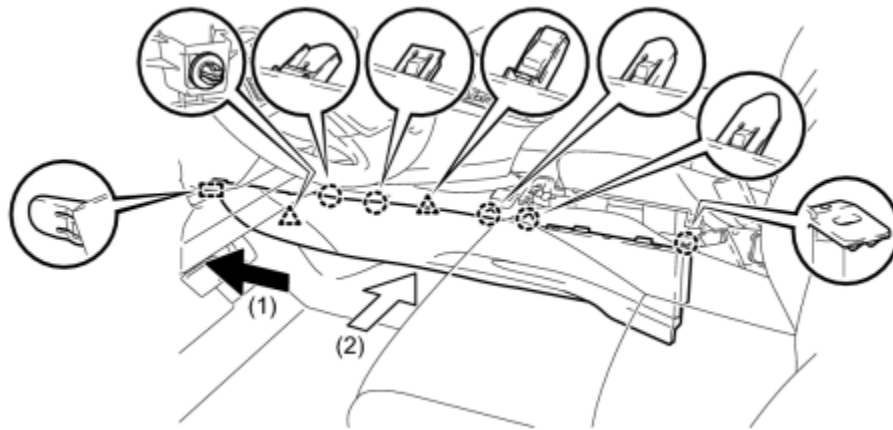
(a) Engage the guide, 5 claws and 2 clips as shown in the illustration.



(b) Install the console box RH with the bolt .

8. INSTALL CONSOLE BOX LH

(a) Engage the guide, 5 claws and 2 clips as shown in the illustration.



P

(b) Install the console box LH with the bolt .

9. INSTALL REAR CONSOLE BOX SUB-ASSEMBLY_ [INFO](#)

10. INSTALL CONSOLE BOX CARPET_ [INFO](#)

11. INSTALL REAR CONSOLE PANEL SUB-ASSEMBLY_ [INFO](#)

12. INSTALL FRONT CONSOLE UPPER PANEL GARNISH (w/o Seat Heater System)_ [INFO](#)

13. INSTALL FRONT CONSOLE UPPER PANEL GARNISH (w/ Seat Heater System)_ [INFO](#)

14. INSTALL FRONT CONSOLE BOX COVER_ [INFO](#)

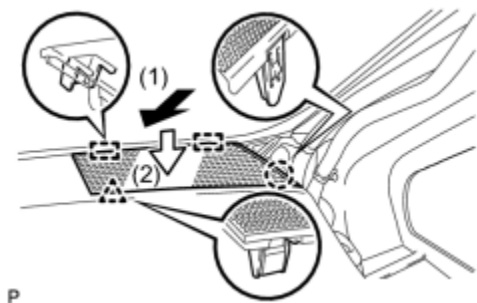
15. INSTALL FRONT NO. 2 SPEAKER ASSEMBLY (for RH Side)

HINT:

Use the same procedure as for the LH side.

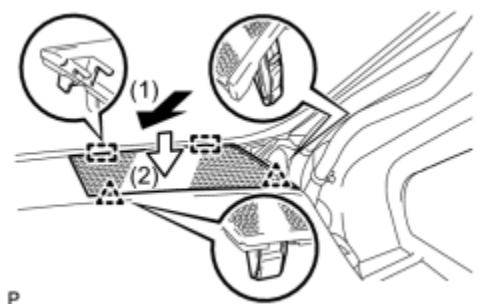
16. INSTALL NO. 1 INSTRUMENT PANEL SPEAKER PANEL SUB-ASSEMBLY (for 10 Speakers)

(a) Engage the 2 guides.



(b) Engage the claw and clip to install the No. 1 instrument panel speaker panel sub-assembly as shown in the illustration.

17. INSTALL NO. 1 INSTRUMENT PANEL SPEAKER PANEL SUB-ASSEMBLY (for 15 Speakers)



(a) Engage the 2 guides.

(b) Engage the 2 clips to install the No. 1 instrument panel speaker panel sub-assembly as shown in the illustration.

18. INSTALL SIDE DEFROSTER NOZZLE RH

(a) Engage the 5 claws to install the side defroster nozzle RH.

19. INSTALL FRONT PILLAR GARNISH CORNER PIECE RH

(a) Engage the 3 claws to install the front pillar garnish corner piece RH.

20. INSTALL FRONT PILLAR GARNISH RH

HINT:

Use the same procedure as for the LH side.

21. INSTALL NO. 2 INSTRUMENT PANEL REGISTER ASSEMBLY

(a) Engage the 4 claws to install the No. 2 instrument panel register assembly.

22. INSTALL GLOVE COMPARTMENT DOOR ASSEMBLY

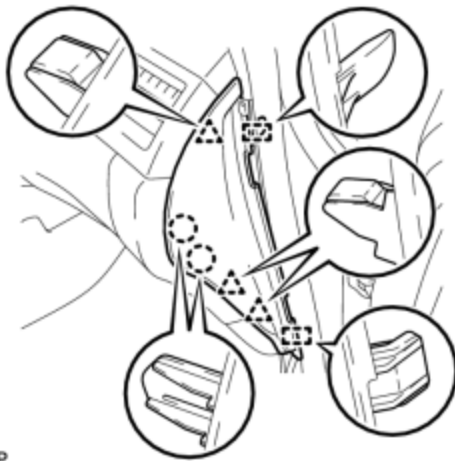
- (a) Connect each connector.
- (b) Engage the 4 claws and guide.
- (c) Install the glove compartment door assembly with the 4 screws <D>.

23. INSTALL FRONT PASSENGER SIDE KNEE AIRBAG ASSEMBLY INFO

24. INSTALL NO. 2 INSTRUMENT PANEL UNDER COVER SUB-ASSEMBLY

- (a) Connect the connector.
- (b) Engage the guide and 3 claws to install the No. 2 instrument panel under cover sub-assembly.

25. INSTALL INSTRUMENT SIDE PANEL RH



- (a) Engage the 2 guides, 2 claws and 3 clips to install the instrument side panel RH.

26. INSTALL COWL SIDE TRIM BOARD RH

HINT:

Use the same procedure as for the LH side.

27. INSTALL FRONT DOOR OPENING TRIM COVER RH

HINT:

Use the same procedure as for the LH side.

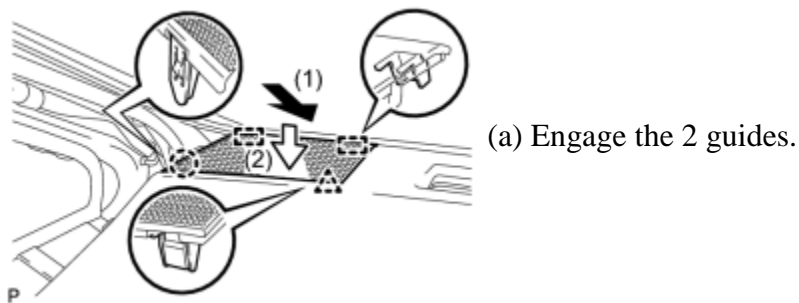
28. INSTALL FRONT DOOR SCUFF PLATE RH

HINT:

Use the same procedure as for the LH side.

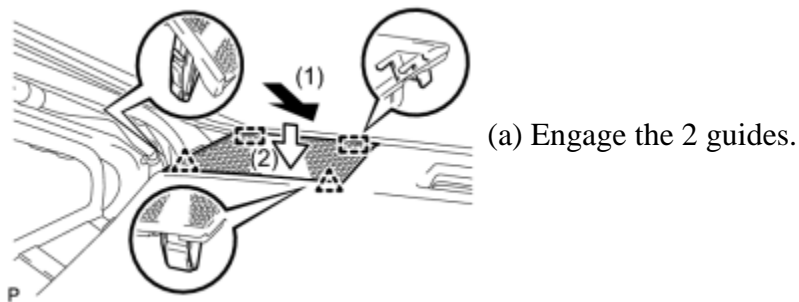
29. INSTALL FRONT NO. 2 SPEAKER ASSEMBLY (for LH Side) INFO

30. INSTALL NO. 2 INSTRUMENT PANEL SPEAKER PANEL SUB-ASSEMBLY (for 10 Speakers)



(b) Engage the claw and clip to install the No. 2 instrument panel speaker panel sub-assembly as shown in the illustration.

31. INSTALL NO. 2 INSTRUMENT PANEL SPEAKER PANEL SUB-ASSEMBLY (for 15 Speakers)



(b) Engage the 2 clips to install the No. 2 instrument panel speaker panel sub-assembly as shown in the illustration.

32. INSTALL SIDE DEFROSTER NOZZLE LH

(a) Engage the 5 claws to install the side defroster nozzle LH.

33. INSTALL FRONT PILLAR GARNISH CORNER PIECE LH

(a) Engage the 3 claws to install the front pillar garnish corner piece LH.

34. INSTALL FRONT PILLAR GARNISH LH_ INFO

35. INSTALL NO. 1 INSTRUMENT PANEL REGISTER ASSEMBLY

(a) Engage the 4 claws to install the No. 1 instrument panel register assembly.

36. INSTALL NO. 1 SWITCH HOLE BASE

(a) Connect each connector.

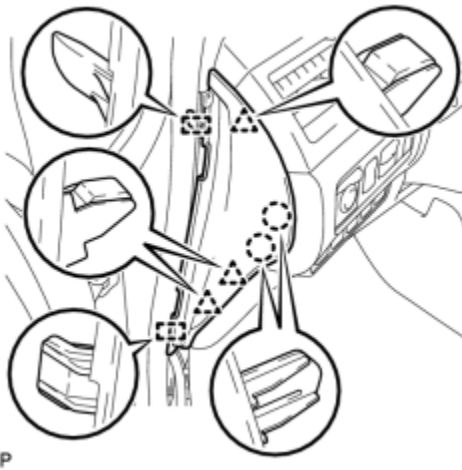
(b) Engage the 4 claws and 2 clips to install the No. 1 switch hole base.

37. INSTALL LOWER INSTRUMENT PANEL FINISH PANEL

(a) Connect each connector.

(b) Engage the 6 claws to install the lower instrument panel finish panel.

38. INSTALL INSTRUMENT SIDE PANEL LH



(a) Engage the 2 guides, 2 claws and 3 clips to install the instrument side panel LH.

39. INSTALL COWL SIDE TRIM BOARD LH_ INFO

40. INSTALL FRONT DOOR OPENING TRIM COVER LH_ INFO

41. INSTALL FRONT DOOR SCUFF PLATE LH_ INFO

42. INSTALL INTEGRATION CONTROL PANEL WITH RADIO RECEIVER ASSEMBLY

INFO

43. INSTALL CENTER INSTRUMENT CLUSTER FINISH PANEL ASSEMBLY (w/o Navigation System)

(a) Connect the connector.

(b) Engage the 2 claws.

(c) Install the center instrument cluster finish panel assembly with the 2 bolts .

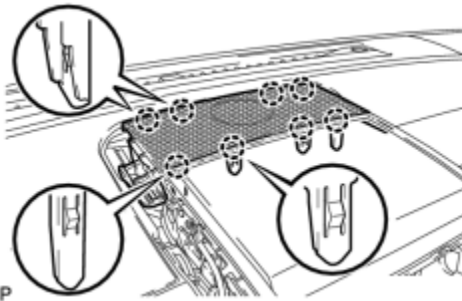
44. INSTALL CENTER INSTRUMENT CLUSTER FINISH PANEL ASSEMBLY (w/ Navigation System)

INFO

45. INSTALL FRONT NO. 3 SPEAKER ASSEMBLY

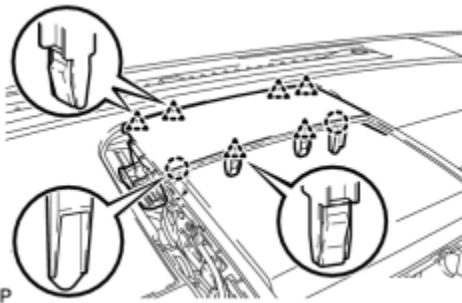
INFO

46. INSTALL NO. 2 INSTRUMENT CLUSTER FINISH PANEL SUB-ASSEMBLY (for 10 Speakers)



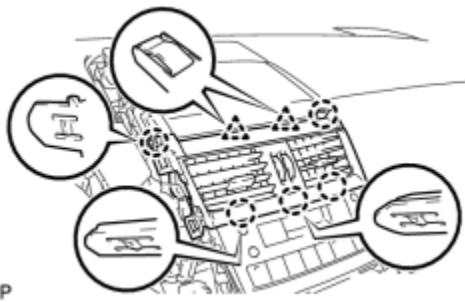
(a) Engage the 8 claws to install the No. 2 instrument cluster finish panel sub-assembly.

47. INSTALL NO. 2 INSTRUMENT CLUSTER FINISH PANEL SUB-ASSEMBLY (for 15 Speakers)



(a) Engage the 2 claws and 6 clips to install the No. 2 instrument cluster finish panel sub-assembly.

48. INSTALL CENTER INSTRUMENT PANEL REGISTER ASSEMBLY



(a) Engage the 5 claws and 2 clips to install the center instrument panel register assembly.

49. INSTALL INSTRUMENT CLUSTER FINISH PANEL GARNISH ASSEMBLY (w/o Navigation System)

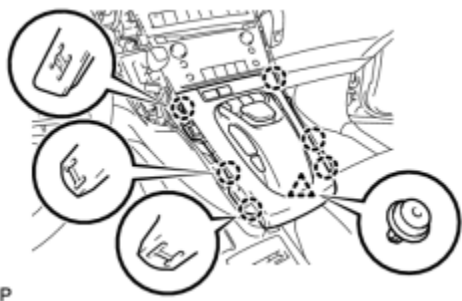
(a) Connect each connector.



(b) Engage the 6 claws and clip to install the instrument cluster finish panel garnish assembly.

50. INSTALL REMOTE TOUCH ASSEMBLY (w/ Navigation System)

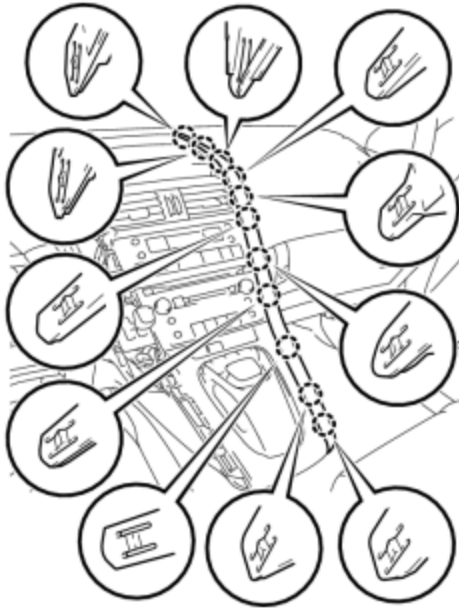
(a) Connect each connector.



(b) Engage the 6 claws and clip to install the remote touch assembly.

51. INSTALL INSTRUMENT PANEL FINISH PANEL END RH

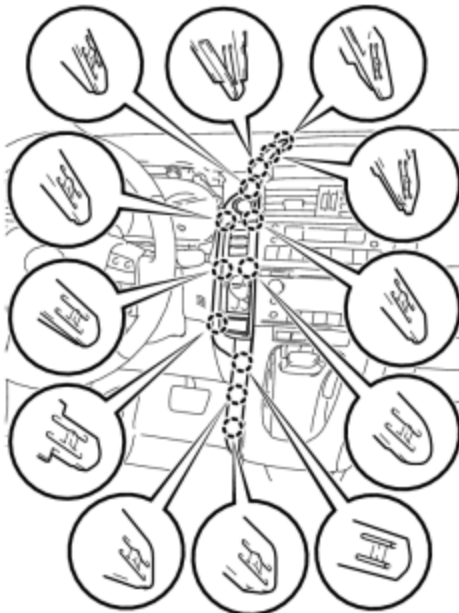
(a) Engage the 11 claws to install the instrument panel finish panel end RH.



P

52. INSTALL INSTRUMENT PANEL FINISH PANEL END LH

(a) Connect each connector.

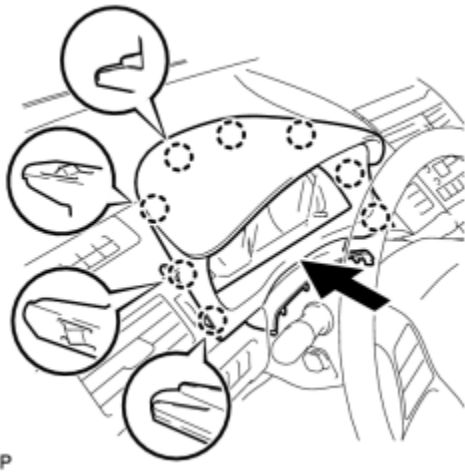


P

(b) Engage the 12 claws to install the instrument panel finish panel end LH.

53. INSTALL COMBINATION METER ASSEMBLY INFO

54. INSTALL METER HOOD SUB-ASSEMBLY



(a) Engage the 8 claws as shown in the illustration.

(b) Engage the 4 clips and 2 guides to install the meter hood sub-assembly.

55. CONNECT CABLE TO NEGATIVE BATTERY TERMINAL (for Manual Tilt and Manual Telescopic Steering Column) [INFO](#)

56. CONNECT CABLE TO NEGATIVE BATTERY TERMINAL (for Power Tilt and Power Telescopic Steering Column) [INFO](#)

57. INSTALL LUGGAGE COMPARTMENT FLOOR MAT [INFO](#)

58. INSPECT SRS WARNING LIGHT

(a) Inspect the SRS warning light [INFO](#).

