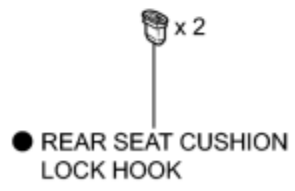
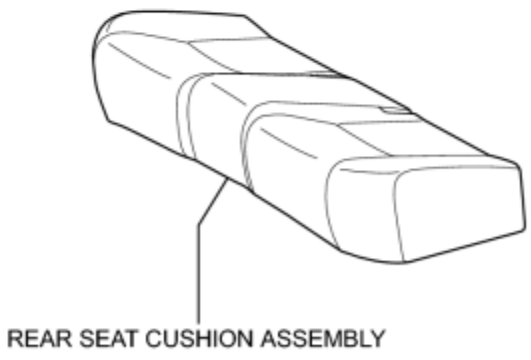
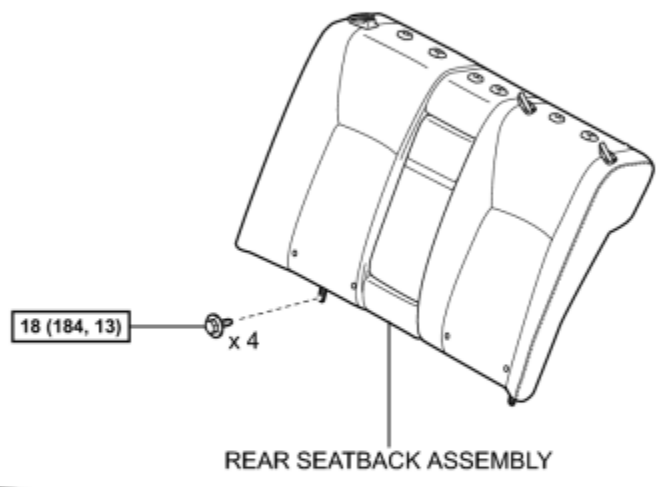
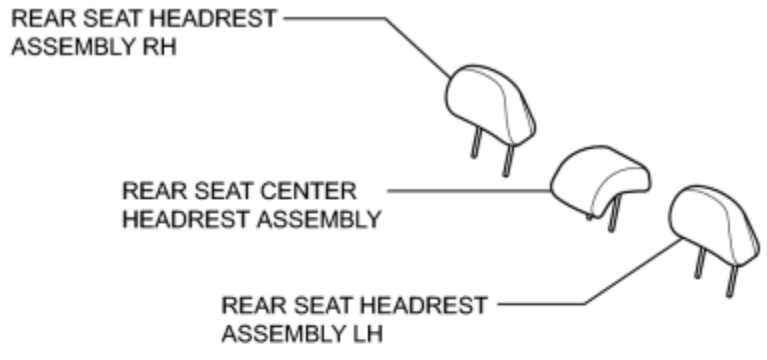


<b>Last Modified:</b> 5-25-2010	6.4 K	<b>From:</b> 200907
<b>Model Year:</b> 2010	<b>Model:</b> HS250H	<b>Doc ID:</b> RM000002SZW00AX
<b>Title:</b> SEAT: REAR SEAT ASSEMBLY: COMPONENTS (2010 HS250H)		

## **COMPONENTS**

## **ILLUSTRATION**

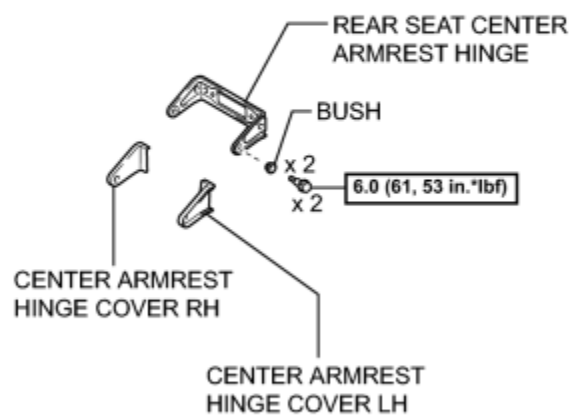
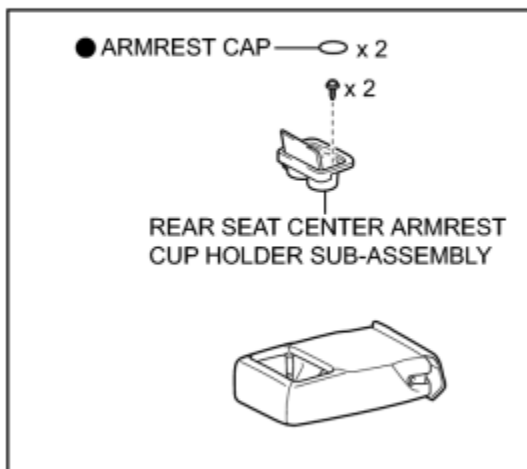
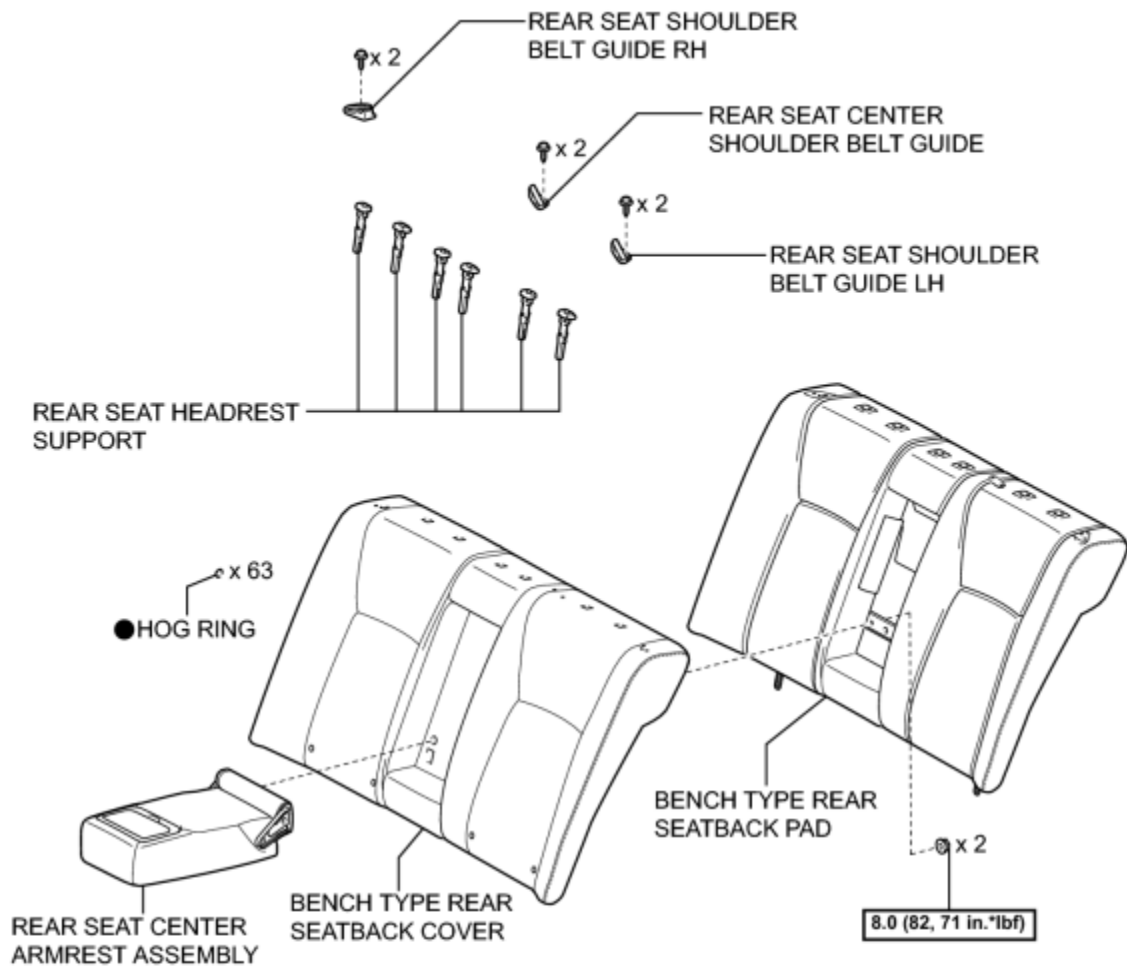


**[N\*m (kg\*cm, ft.\*lbf)]**: Specified torque

● Non-reusable part

P

# ILLUSTRATION

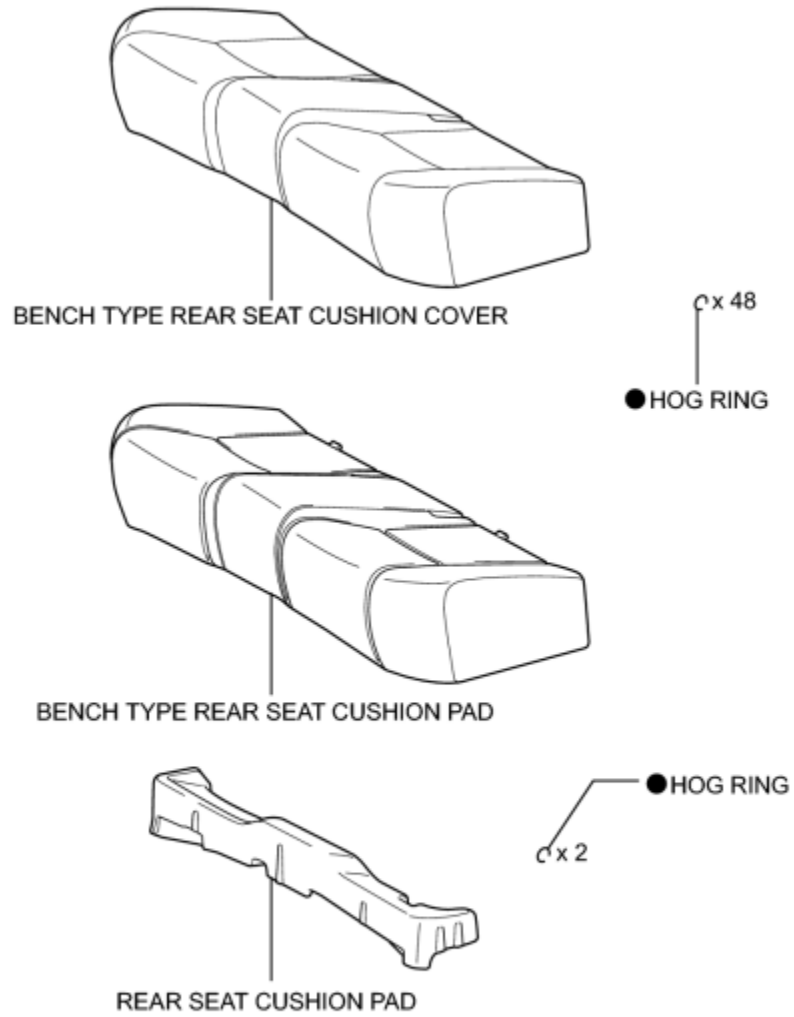


**N\*m (kgf\*cm, ft.\*lbf)**: Specified torque

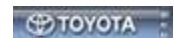
● Non-reusable part

P

# ILLUSTRATION



● Non-reusable part

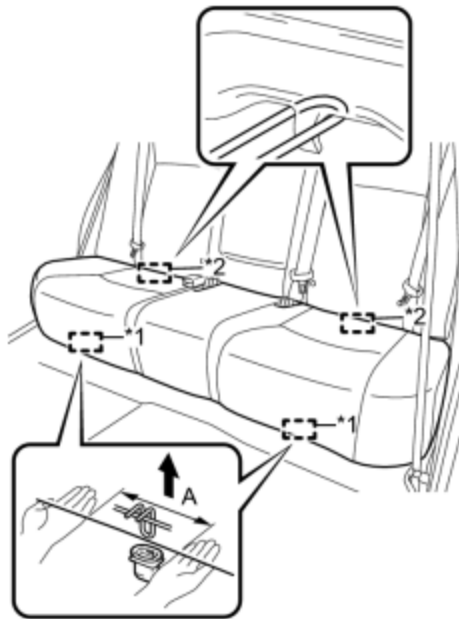


<b>Last Modified:</b> 5-25-2010	6.4 A	<b>From:</b> 200907
<b>Model Year:</b> 2010	<b>Model:</b> HS250H	<b>Doc ID:</b> RM000002SZX00AX
<b>Title:</b> SEAT: REAR SEAT ASSEMBLY: REMOVAL (2010 HS250H)		

## REMOVAL

### 1. REMOVE REAR SEAT CUSHION ASSEMBLY

(a) Disengage the 2 front hooks of the seat cushion from the vehicle body as shown in the illustration.



P

Text in Illustration		
*1		Hook
*2		Guide
Standard Measurement		Measurement
Dimension		
A		100 mm (3.94 in.) or less

#### NOTICE:

Follow the instructions below carefully as the cushion frame can be deformed easily.

(1) Choose a hook to disengage first. Place your hands near the hook as shown in the illustration. Then lift the seat cushion to disengage the hook.

(2) Repeat the step above for the other hook.

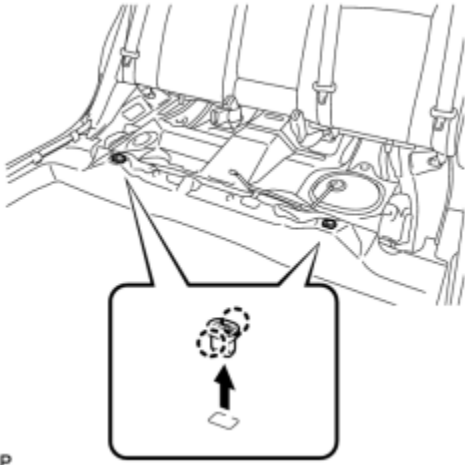
(b) Disengage the 2 guides of the seat cushion from the seatback.

(c) Remove the rear seat cushion assembly.

### 2. REMOVE REAR SEAT CUSHION LOCK HOOK

(a) Disengage the 4 claws and remove the 2 rear seat

cushion lock hooks as shown in the illustration.



### 3. REMOVE REAR SEAT HEADREST ASSEMBLY LH



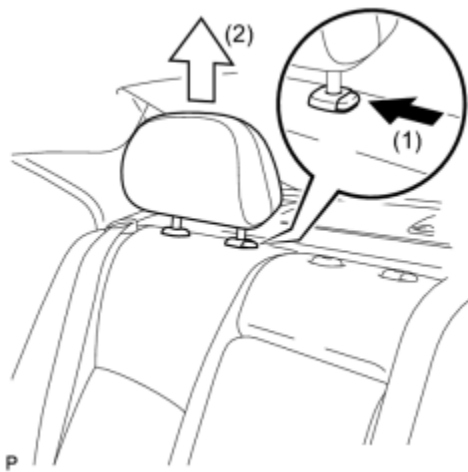
(a) Press the headrest support button and pull up the rear seat headrest assembly LH as shown in the illustration.

### 4. REMOVE REAR SEAT CENTER HEADREST ASSEMBLY

(a) Press the headrest support button and pull up the rear seat center headrest assembly as shown in the illustration.



5. REMOVE REAR SEAT HEADREST ASSEMBLY RH

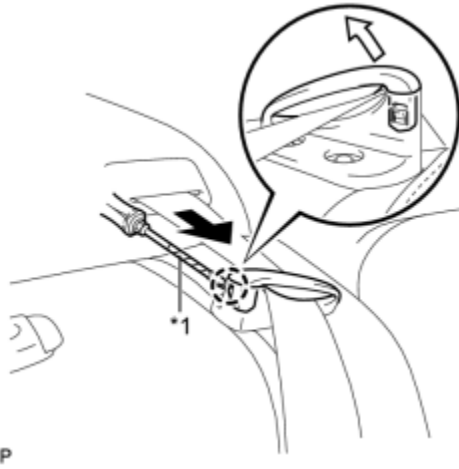


(a) Press the headrest support button and pull up the rear seat headrest assembly RH as shown in the illustration.

6. REMOVE REAR SEATBACK ASSEMBLY

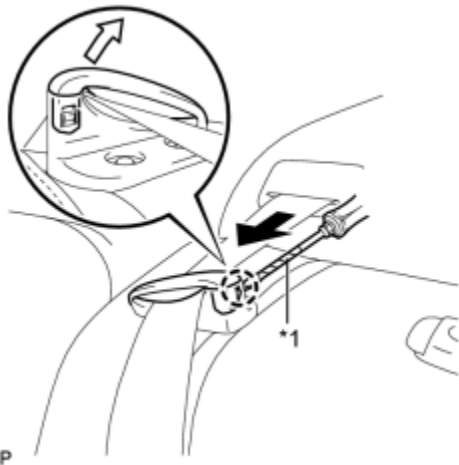
(a) Using a screwdriver with the tip taped, disengage the claw to open the cap of the rear seat shoulder belt guide LH.

<p><b>Text in Illustration</b></p> <p>*1</p>	<p>Protective Tape</p>
--	------------------------



(b) Using a screwdriver with the tip taped, disengage the claw to open the cap of the rear seat center shoulder belt guide.

<p><b>Text in Illustration</b></p> <p>*1</p>	<p>Protective Tape</p>
--	------------------------

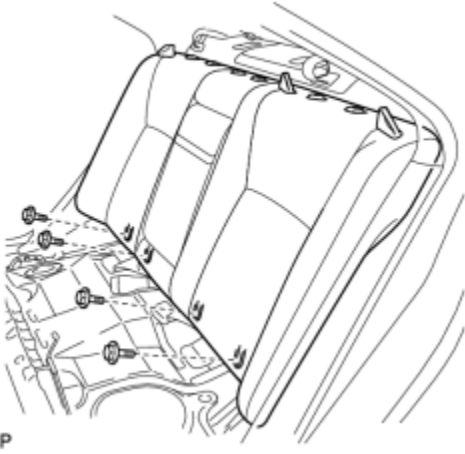


(c) Using a screwdriver with the tip taped, disengage the claw to open the cap of the rear seat shoulder belt guide RH.

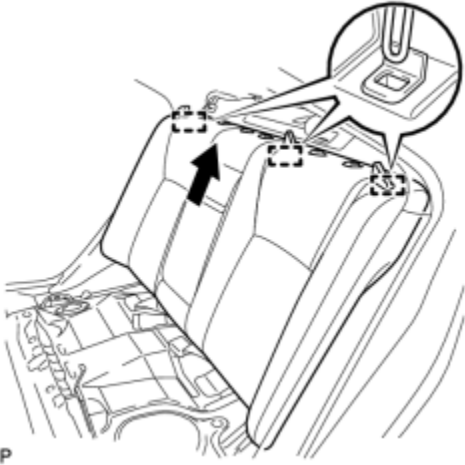
<p><b>Text in Illustration</b></p> <p>*1</p>	<p>Protective Tape</p>
--	------------------------

(d) Remove the 4 bolts.





P



P

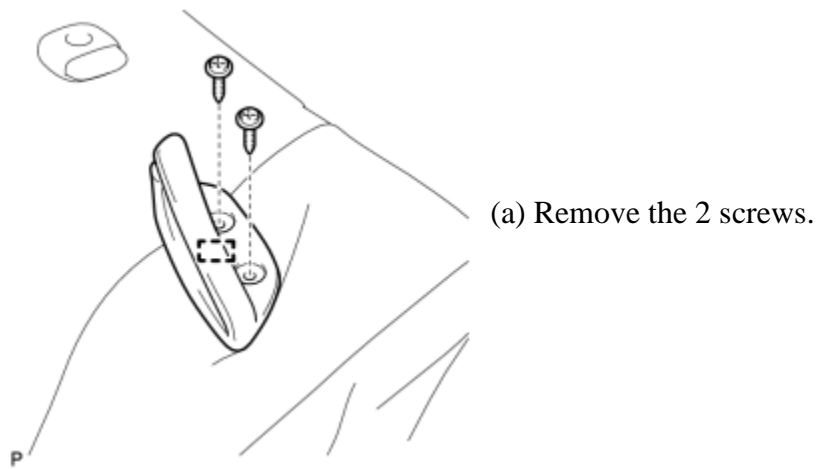
(e) Disengage the 3 hooks and remove the rear seatback assembly as shown in the illustration.



<b>Last Modified:</b> 5-25-2010	6.4 A	<b>From:</b> 200907
<b>Model Year:</b> 2010	<b>Model:</b> HS250H	<b>Doc ID:</b> RM000002SZY00AX
<b>Title:</b> SEAT: REAR SEAT ASSEMBLY: DISASSEMBLY (2010 HS250H)		

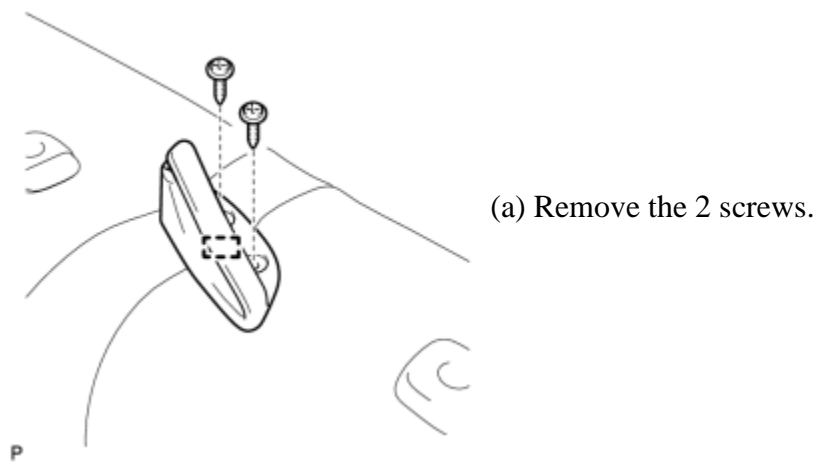
## DISASSEMBLY

### 1. REMOVE REAR SEAT SHOULDER BELT GUIDE LH



(b) Disengage the guide and remove the rear seat shoulder belt guide LH.

### 2. REMOVE REAR SEAT CENTER SHOULDER BELT GUIDE



(b) Disengage the guide and remove the rear seat center shoulder belt guide.

### 3. REMOVE REAR SEAT SHOULDER BELT GUIDE RH

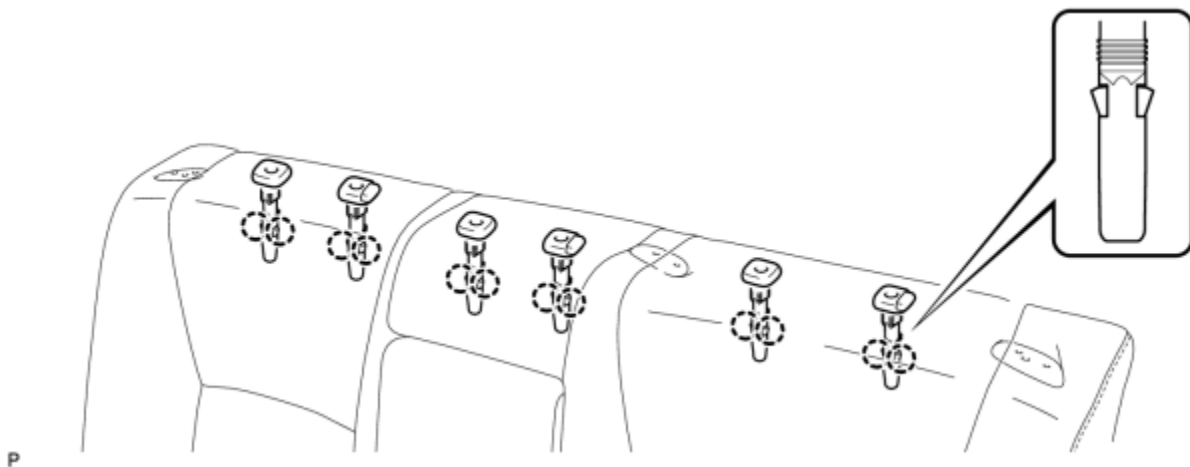


(a) Remove the 2 screws.

(b) Disengage the guide and remove the rear seat shoulder belt guide RH.

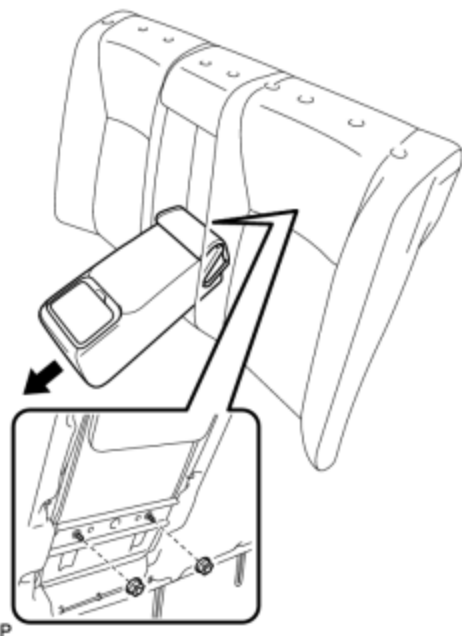
### 4. REMOVE REAR SEAT HEADREST SUPPORT

(a) Disengage the 12 claws and remove the 6 rear seat headrest supports.

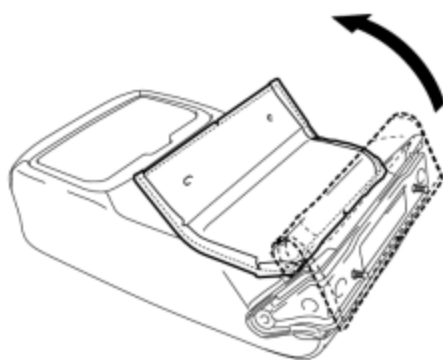


### 5. REMOVE REAR SEAT CENTER ARMREST ASSEMBLY

(a) Remove the 2 nuts and the rear seat center armrest assembly as shown in the illustration.



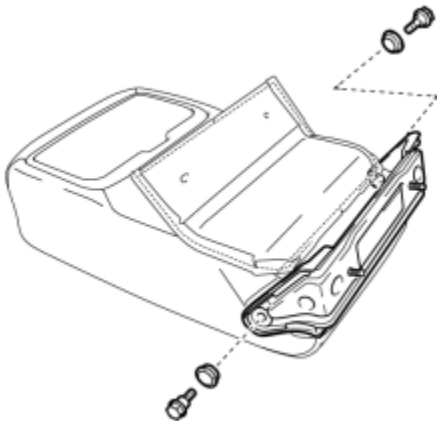
#### 6. REMOVE REAR SEAT CENTER ARMREST HINGE



(a) Disengage the rear seat center armrest assembly as shown in the illustration.

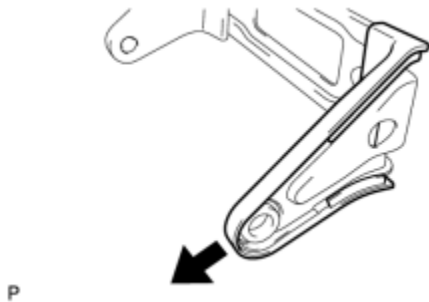
P

(b) Remove the 2 bolts and 2 bushes.



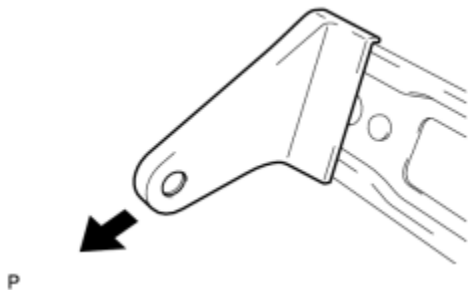
(c) Remove the rear seat center armrest hinge from the rear seat center armrest assembly.

#### 7. REMOVE CENTER ARMREST HINGE COVER LH



(a) Remove the center armrest hinge cover LH as shown in the illustration.

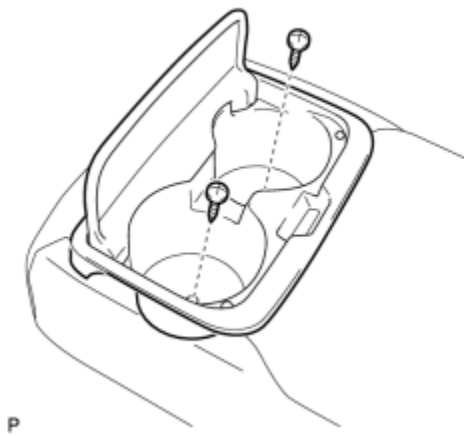
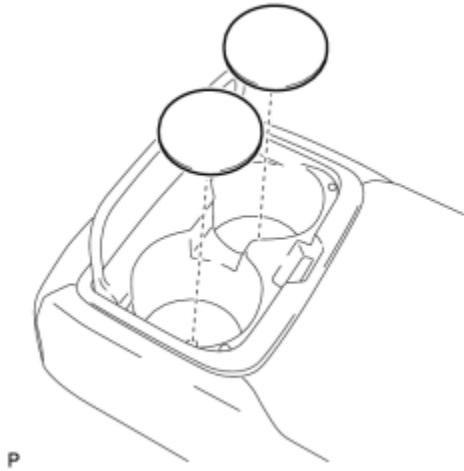
#### 8. REMOVE CENTER ARMREST HINGE COVER RH



(a) Remove the center armrest hinge cover RH as shown in the illustration.

#### 9. REMOVE REAR SEAT CENTER ARMREST CUP HOLDER SUB-ASSEMBLY

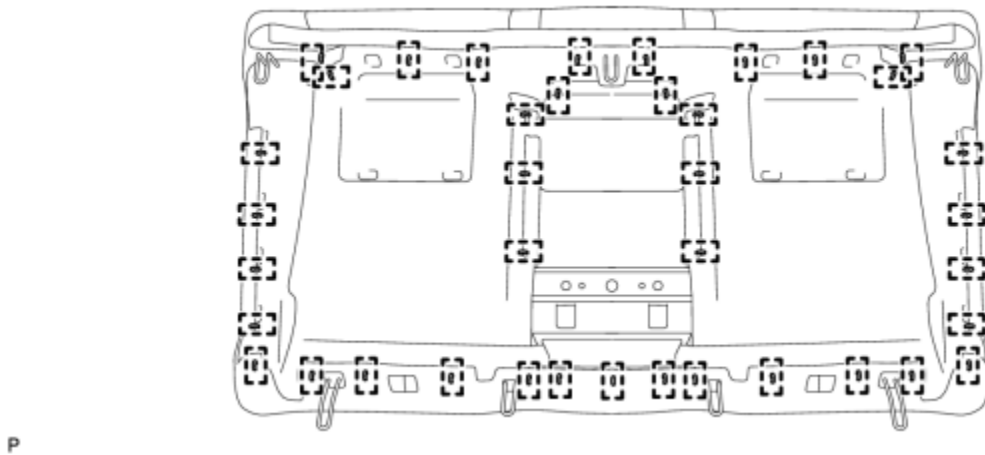
(a) Remove the 2 armrest caps.



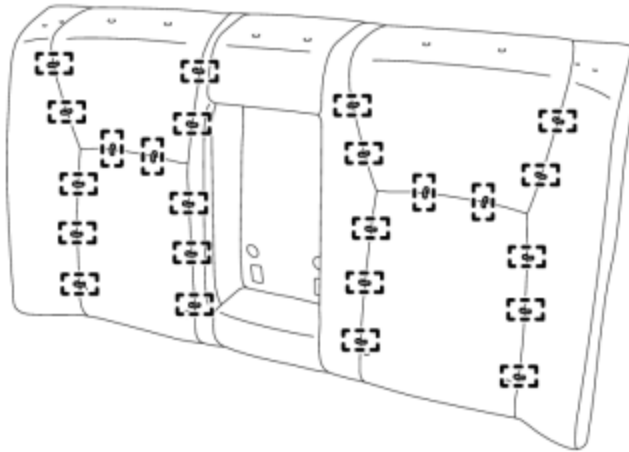
(b) Remove the 2 screws and the rear seat center armrest cup holder sub-assembly.

## 10. REMOVE BENCH TYPE REAR SEATBACK COVER

(a) Remove the 39 hog rings.



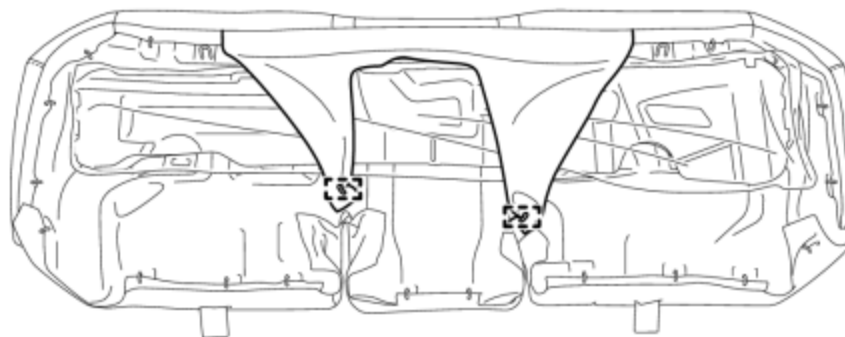
(b) Remove the 24 hog rings and the bench type rear seatback cover from the bench type rear seatback pad.



P

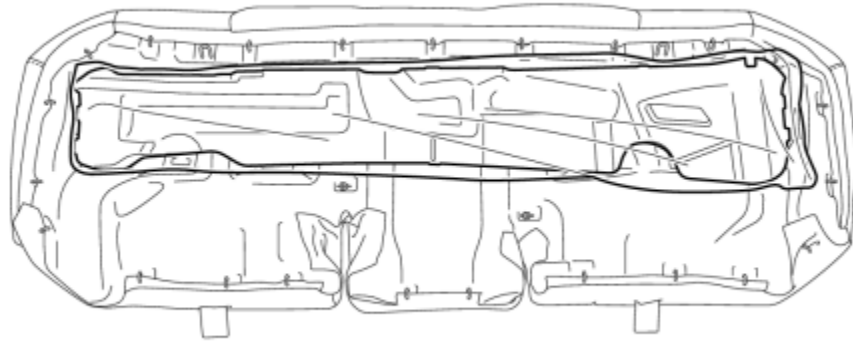
## 11. REMOVE REAR SEAT CUSHION PAD

(a) Remove the 2 hog rings.



P

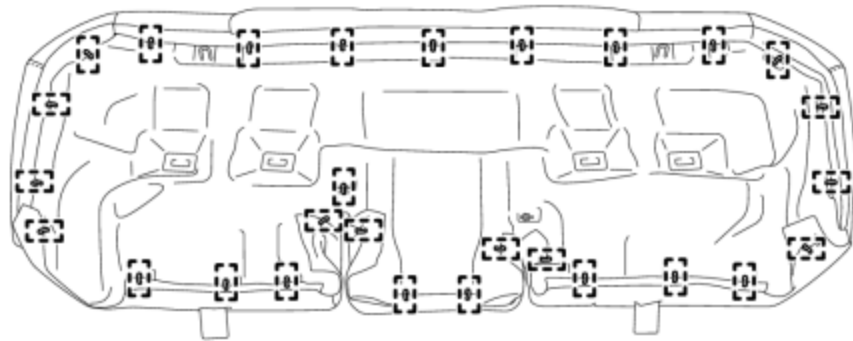
(b) Remove the rear seat cushion pad from the rear seat cushion assembly.



P

## 12. REMOVE BENCH TYPE REAR SEAT CUSHION COVER

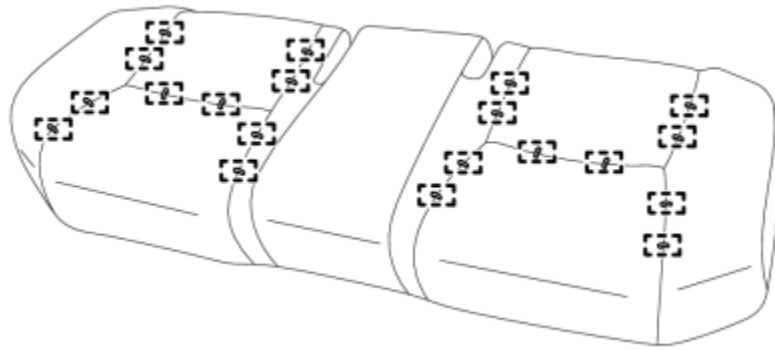
(a) Remove the 28 hog rings.



P

(b) Remove the 20 hog rings and the bench type rear seat cushion cover from the rear seat cushion pad.



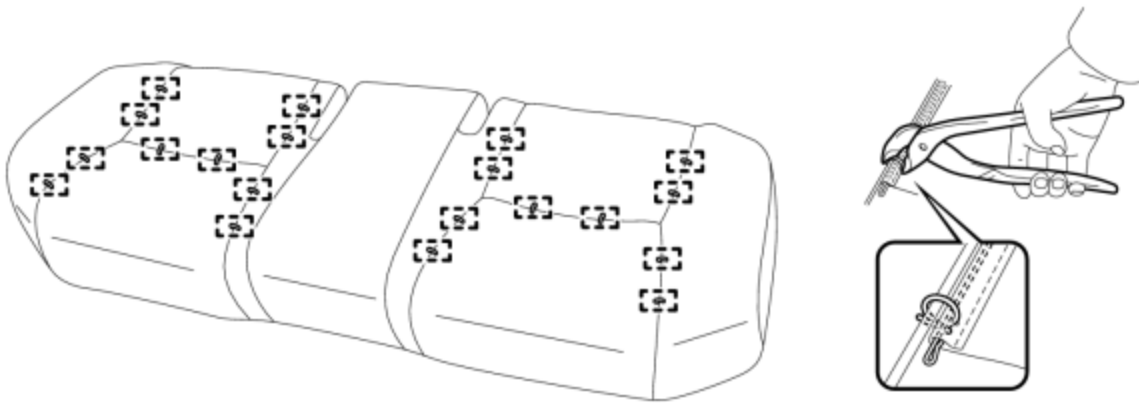


<b>Last Modified:</b> 5-25-2010	6.4 A	<b>From:</b> 200907
<b>Model Year:</b> 2010	<b>Model:</b> HS250H	<b>Doc ID:</b> RM000002SZZ00AX
<b>Title:</b> SEAT: REAR SEAT ASSEMBLY: REASSEMBLY (2010 HS250H)		

## REASSEMBLY

### 1. INSTALL BENCH TYPE REAR SEAT CUSHION COVER

(a) Using hog ring pliers, install 20 new hog rings.

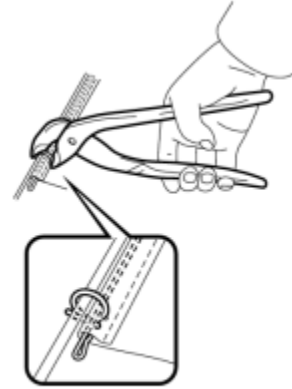
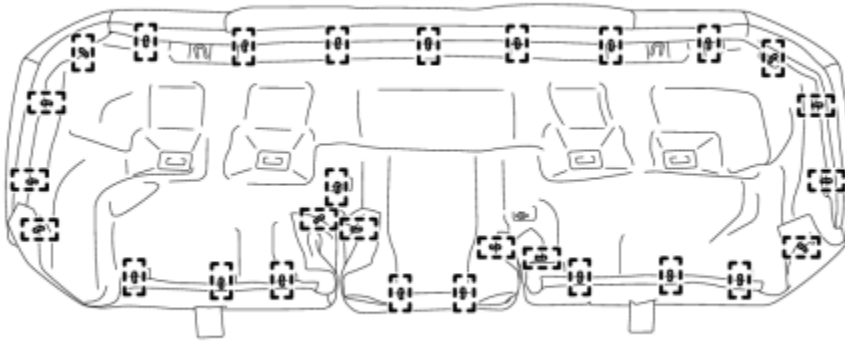


P

#### NOTICE:

- Be careful not to damage the cover.
- When installing the hog rings, take care to minimize wrinkles as much as possible.

(b) Using hog ring pliers, install 28 new hog rings.



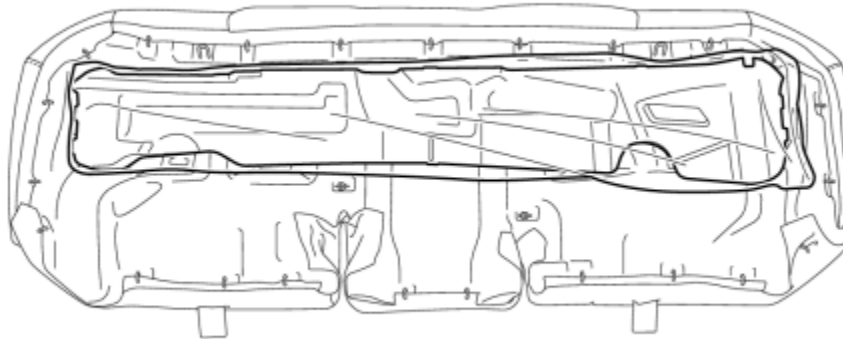
P

**NOTICE:**

- Be careful not to damage the cover.
- When installing the hog rings, take care to minimize wrinkles as much as possible.

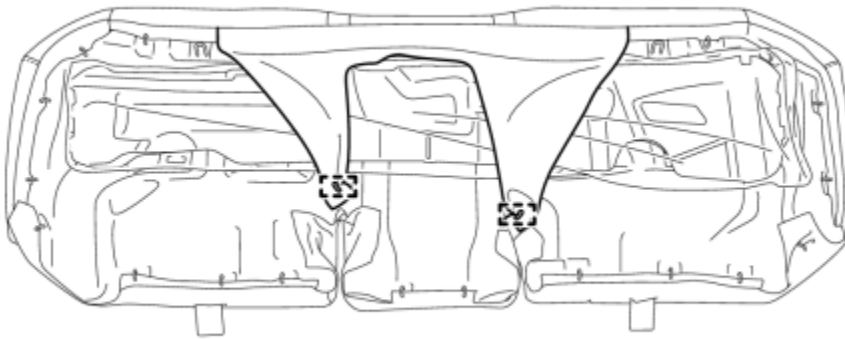
**2. INSTALL REAR SEAT CUSHION PAD**

(a) Install the rear seat cushion pad to the rear seat cushion assembly.



P

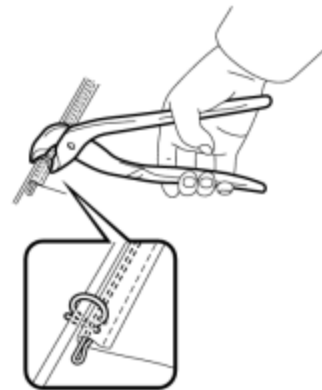
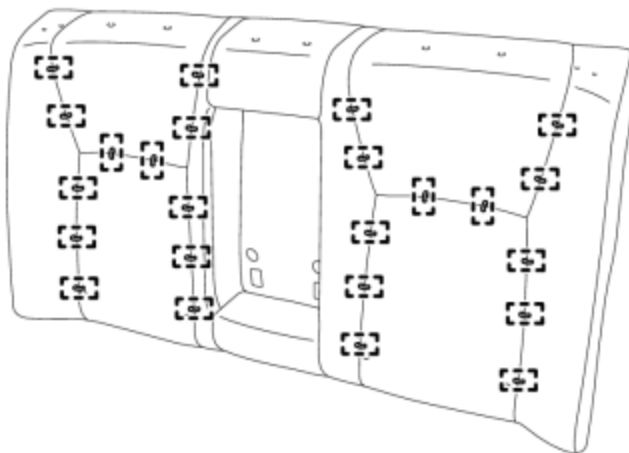
(b) Using hog ring pliers, install 2 new hog rings.



P

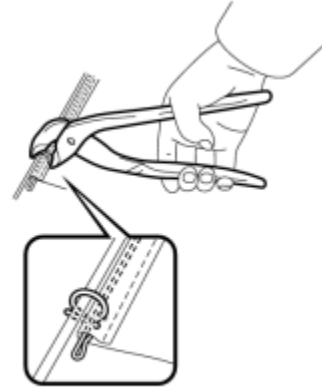
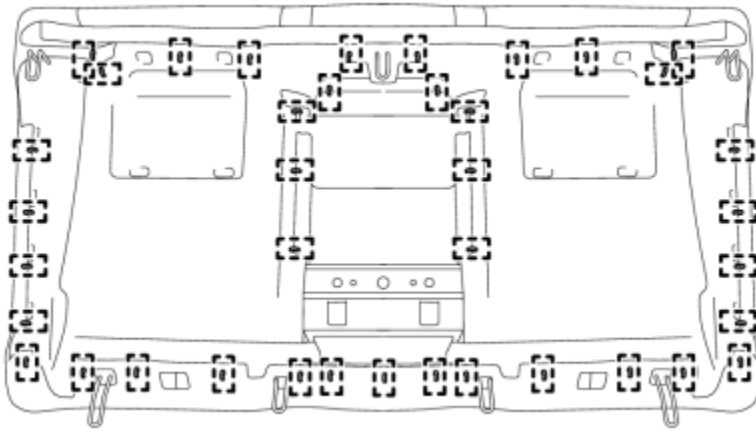
### 3. INSTALL BENCH TYPE REAR SEATBACK COVER

(a) Using hog ring pliers, install 24 new hog rings.



P

(b) Using hog ring pliers, install the bench type rear seatback cover to the seatback pad with 39 new hog rings.

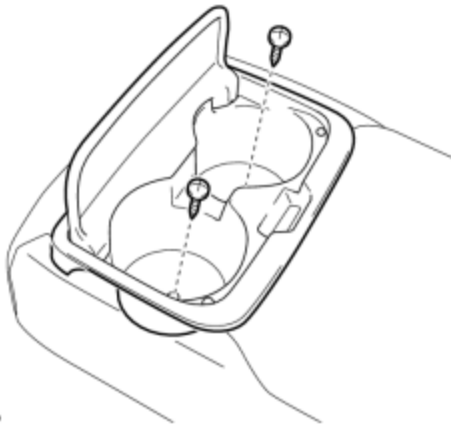


P

**NOTICE:**

- Be careful not to damage the cover.
- When installing the hog rings, take care to minimize wrinkles as much as possible.

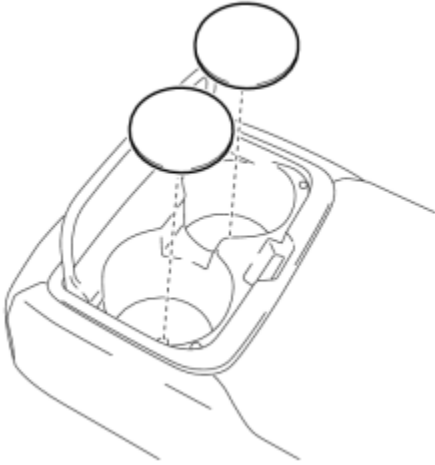
**4. INSTALL REAR SEAT CENTER ARMREST CUP HOLDER SUB-ASSEMBLY**



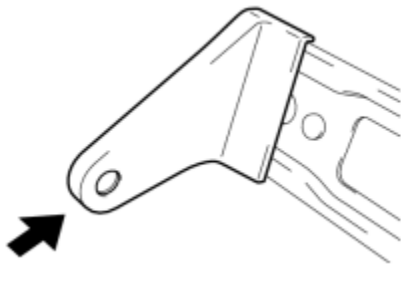
P

(a) Install the rear seat center armrest cup holder sub-assembly with the 2 screws.

(b) Install 2 new armrest caps.

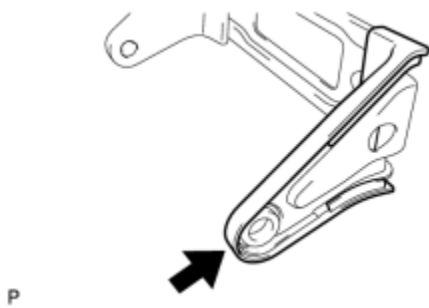


5. INSTALL CENTER ARMREST HINGE COVER RH



(a) Install the center armrest hinge cover RH as shown in the illustration.

6. INSTALL CENTER ARMREST HINGE COVER LH

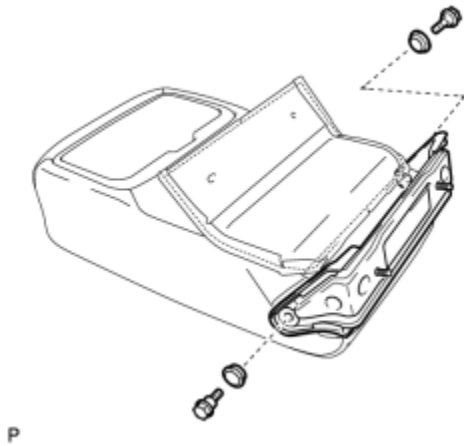


(a) Install the center armrest hinge cover LH as shown in the illustration.

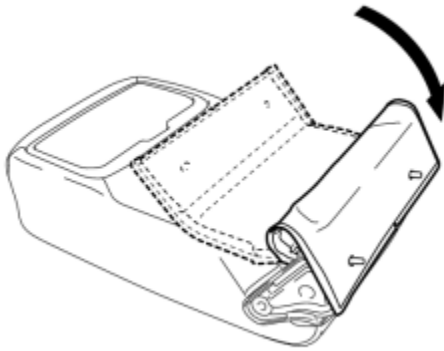
7. INSTALL REAR SEAT CENTER ARMREST HINGE

(a) Install the 2 bushes and 2 bolts.

Torque: **6.0 N·m (61 kgf·cm, 53in·lbf)**



(b) Install the rear seat center armrest hinge to the rear seat center armrest assembly.

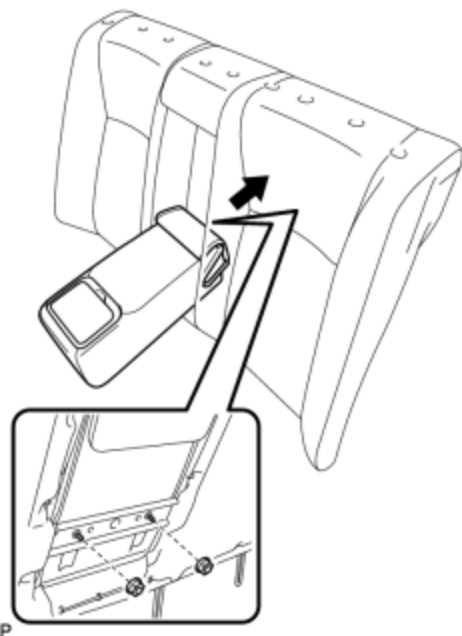


(c) Engage the rear seat center armrest cover as shown in the illustration.

## 8. INSTALL REAR SEAT CENTER ARMREST ASSEMBLY

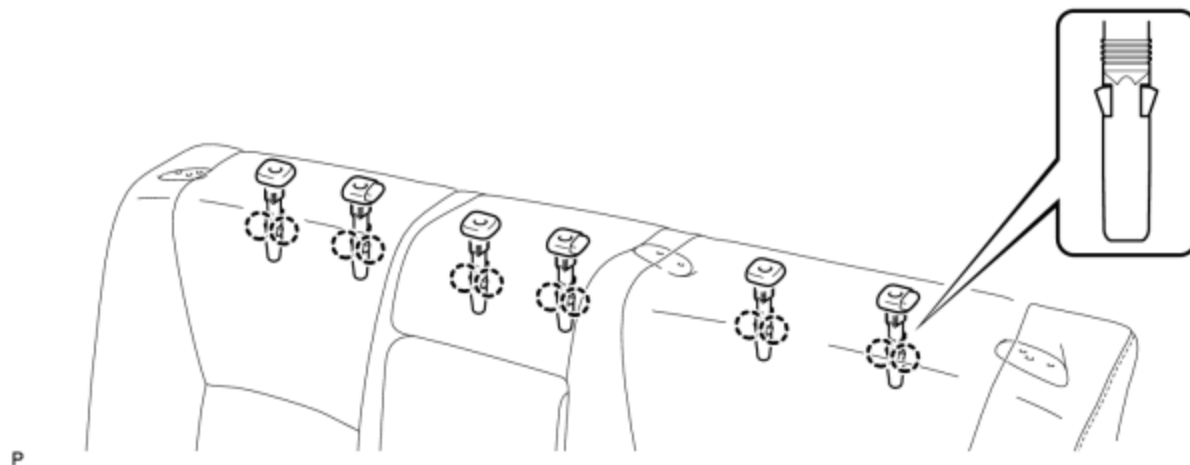
(a) Install the rear seat center armrest assembly with the 2 nuts as shown in the illustration.

**Torque: 8.0 N·m (82 kgf·cm, 71in·lbf)**



## 9. INSTALL REAR SEAT HEADREST SUPPORT

(a) Engage the 12 claws and install the 6 rear seat headrest supports.



## 10. INSTALL REAR SEAT SHOULDER BELT GUIDE RH

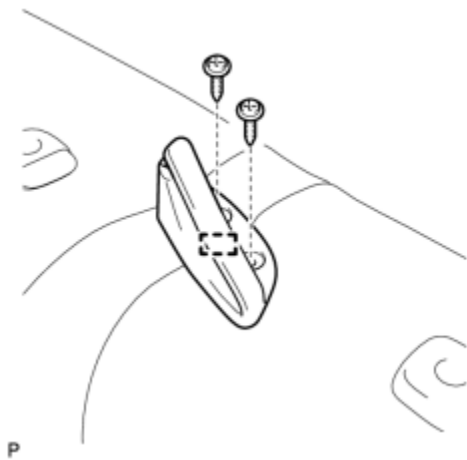
(a) Engage the guide and install the rear seat shoulder belt guide RH.





(b) Install the 2 screws.

#### 11. INSTALL REAR SEAT CENTER SHOULDER BELT GUIDE



(a) Engage the guide and install the rear seat center shoulder belt guide.

(b) Install the 2 screws.

#### 12. INSTALL REAR SEAT SHOULDER BELT GUIDE LH

(a) Engage the guide and install the rear seat shoulder belt guide LH.



(b) Install the 2 screws.

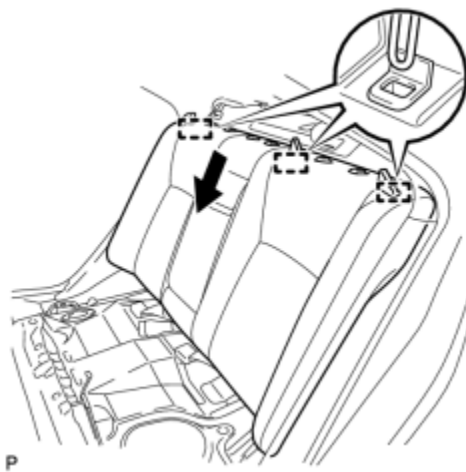


<b>Last Modified:</b> 5-25-2010	6.4 A	<b>From:</b> 200907
<b>Model Year:</b> 2010	<b>Model:</b> HS250H	<b>Doc ID:</b> RM000002SZV00AX
<b>Title:</b> SEAT: REAR SEAT ASSEMBLY: INSTALLATION (2010 HS250H)		

## INSTALLATION

### 1. INSTALL REAR SEATBACK ASSEMBLY

(a) Place the rear seatback assembly in the cabin.



(b) Engage the 3 hooks as shown in the illustration.

NOTICE:

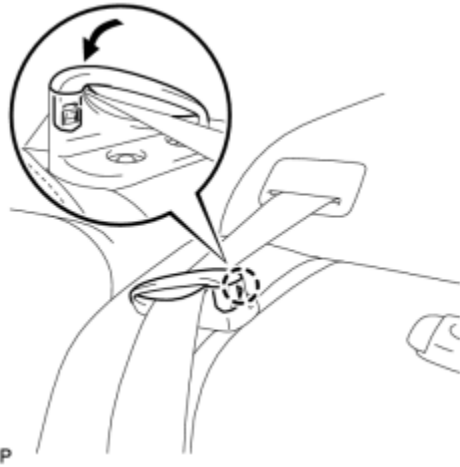
Be careful not to damage the vehicle body.

(c) Install the rear seatback assembly with the 4 bolts.

Torque: **18 N·m (184 kgf·cm, 13ft·lbf)**

(d) Pass the seat belt through the rear seat shoulder belt guide RH.

(e) Engage the claw and close the cap of the rear seat shoulder belt guide RH.



(f) Pass the seat belt through the rear seat center shoulder belt guide.



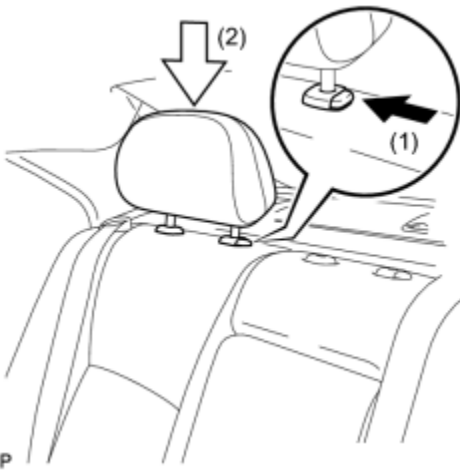
(g) Engage the claw and close the cap of the rear seat center shoulder belt guide.

(h) Pass the seat belt through the rear seat shoulder belt guide LH.

(i) Engage the claw and close the cap of the rear seat shoulder belt guide LH.



## 2. INSTALL REAR SEAT HEADREST ASSEMBLY RH



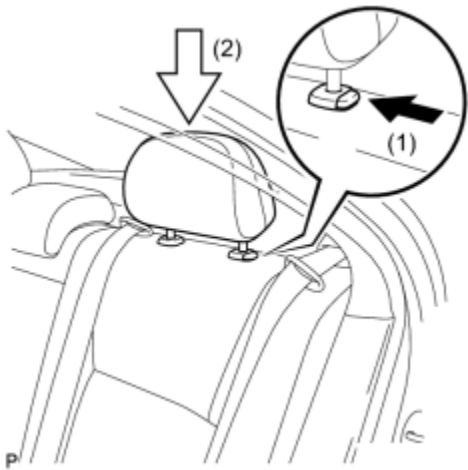
(a) Install the rear seat headrest assembly RH as shown in the illustration.

## 3. INSTALL REAR SEAT CENTER HEADREST ASSEMBLY

(a) Install the rear seat center headrest assembly as shown in the illustration.



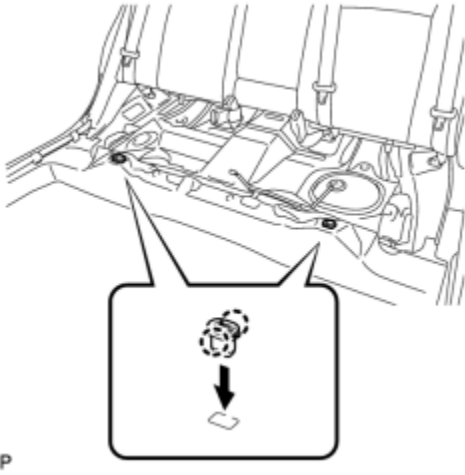
#### 4. INSTALL REAR SEAT HEADREST ASSEMBLY LH



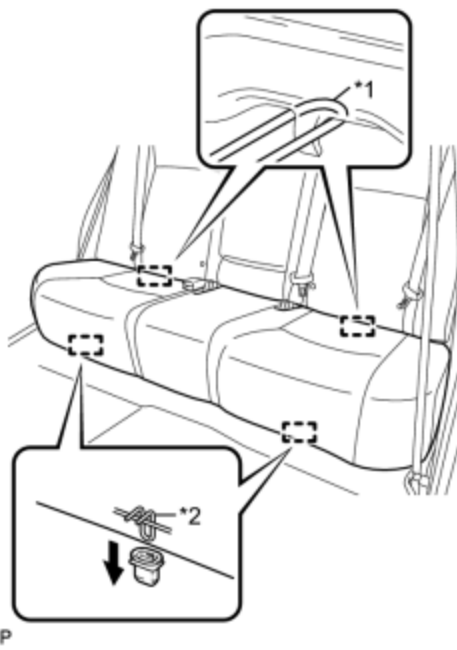
(a) Install the rear seat headrest assembly LH as shown in the illustration.

#### 5. INSTALL REAR SEAT CUSHION LOCK HOOK

(a) Engage the 4 claws to install 2 new rear seat cushion lock hooks as shown in the illustration.



6. INSTALL REAR SEAT CUSHION ASSEMBLY



(a) Engage the 2 guides.

Text in Illustration	
*1	Guide
*2	Hook

(b) Engage the 2 front hooks of the seat cushion to the vehicle body as shown in the illustration.

(c) Confirm that the seat cushion is firmly installed.

NOTICE:

When installing the seat cushion, make sure that the seat belt buckles are not under the seat cushion.

