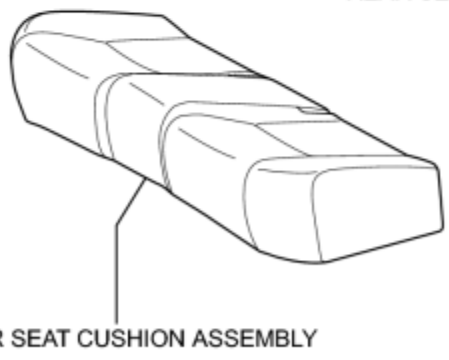
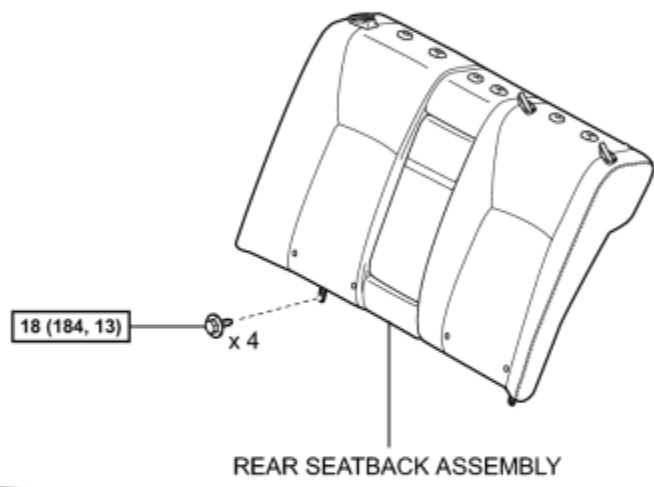
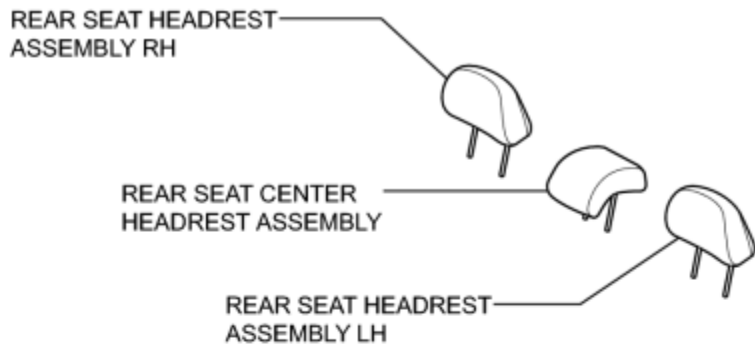


<b>Last Modified:</b> 10-5-2010	6.4 K	<b>From:</b> 200907
<b>Model Year:</b> 2010	<b>Model:</b> HS250H	<b>Doc ID:</b> RM0000026NK00FX
<b>Title:</b> HYBRID / BATTERY CONTROL: BATTERY BLOWER: COMPONENTS (2010 HS250H)		

## **COMPONENTS**

## **ILLUSTRATION**

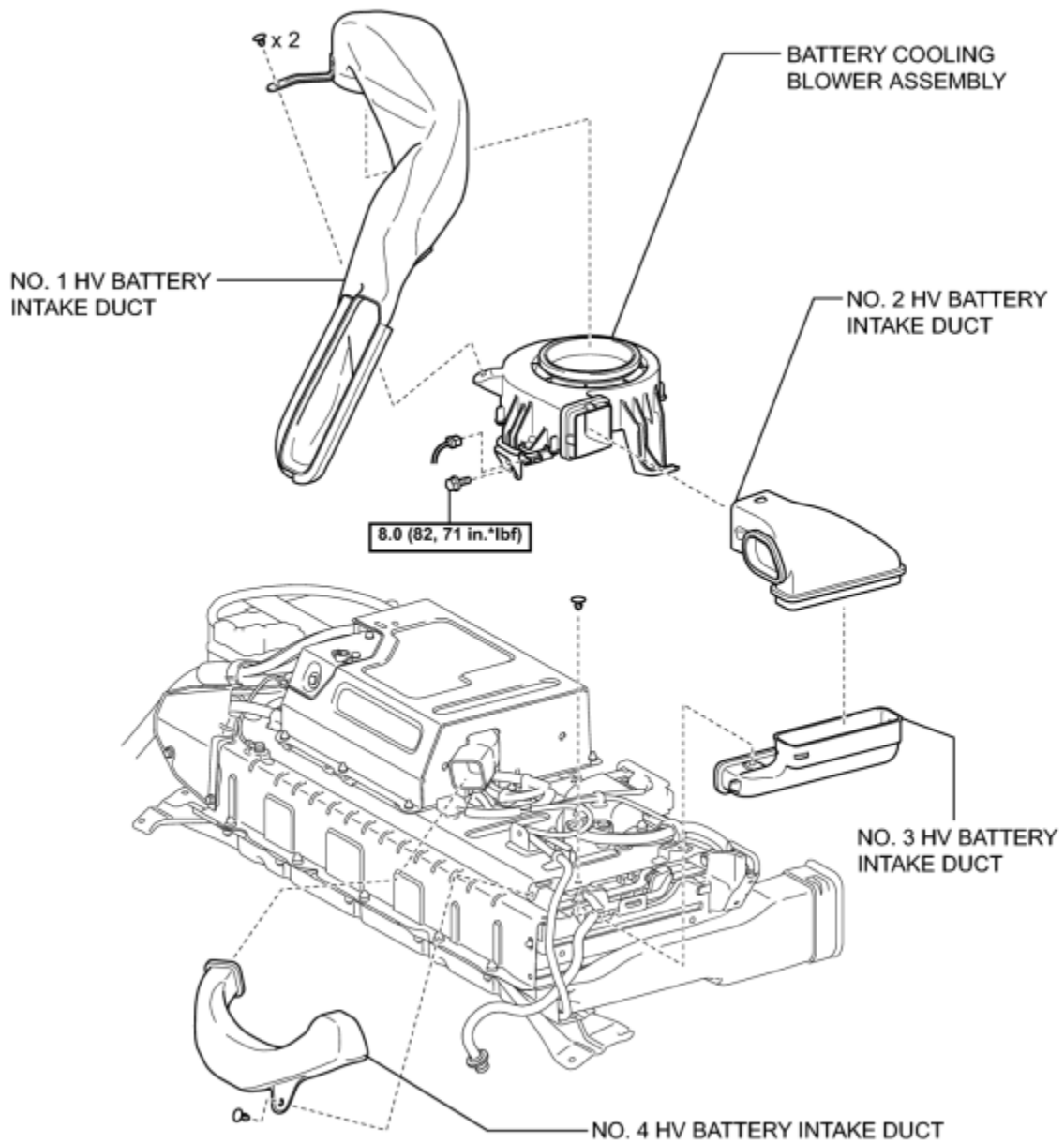


**18 (184, 13)**: Specified torque

● Non-reusable part

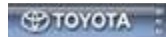
P

# ILLUSTRATION



**N\*m (kgf\*cm, ft.\*lbf)**: Specified torque


C



<b>Last Modified:</b> 10-5-2010	6.4 A	<b>From:</b> 200907
<b>Model Year:</b> 2010	<b>Model:</b> HS250H	<b>Doc ID:</b> RM0000026NL00JX
<b>Title:</b> HYBRID / BATTERY CONTROL: BATTERY BLOWER: REMOVAL (2010 HS250H)		

## REMOVAL

### 1. REMOVE REAR SEATBACK ASSEMBLY

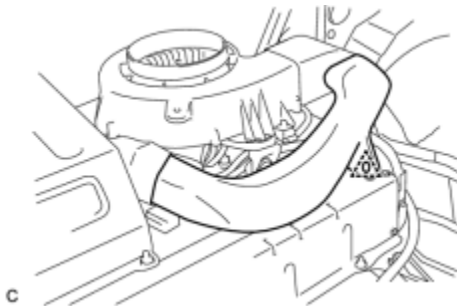
HINT:  .

### 2. REMOVE NO. 1 HV BATTERY INTAKE DUCT



(a) Remove the 2 clips and No. 1 HV battery intake duct.

### 3. REMOVE NO. 4 HV BATTERY INTAKE DUCT



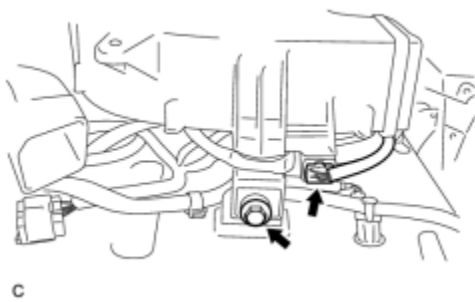
(a) Remove the clip and No. 4 HV battery intake duct.

### 4. REMOVE NO. 2 HV BATTERY INTAKE DUCT

(a) Remove the clip and No. 2 HV battery intake duct with the No. 3 HV battery intake duct.



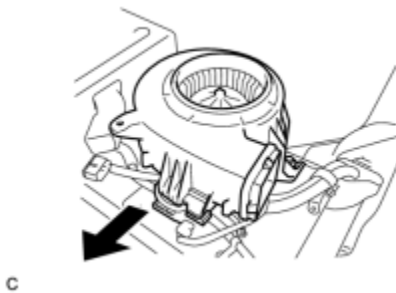
## 5. REMOVE BATTERY COOLING BLOWER ASSEMBLY



(a) Remove the bolt from the battery cooling blower assembly.

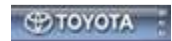
(b) Disconnect the connector from the battery cooling blower assembly.

(c) Remove the battery cooling blower assembly as shown in the illustration.



### NOTICE:

- Be sure not to touch the fan part of the battery cooling blower assembly.
- Do not lift the battery cooling blower assembly using the wire harness.

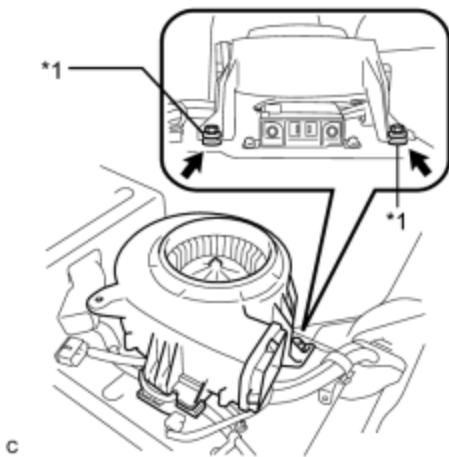


<b>Last Modified:</b> 10-5-2010	6.4 A	<b>From:</b> 200907
<b>Model Year:</b> 2010	<b>Model:</b> HS250H	<b>Doc ID:</b> RM0000026NJ00JX
<b>Title:</b> HYBRID / BATTERY CONTROL: BATTERY BLOWER: INSTALLATION (2010 HS250H)		

## INSTALLATION

### 1. INSTALL BATTERY COOLING BLOWER ASSEMBLY

(a) Install the battery cooling blower assembly as shown in the illustration.



#### Text in Illustration

\*1

Bushing

#### NOTICE:

- Be sure not to touch the fan part of the battery cooling blower assembly.
- Do not lift the battery cooling blower assembly using the wire harness.
- Be sure to securely engage the cutouts on the battery cooling blower assembly to the bushings.

(b) Install the bolt to the battery cooling blower assembly.

Torque: **8.0 N·m (82 kgf·cm, 71in·lbf)**

(c) Connect the connector to the battery cooling blower assembly.

### 2. INSTALL NO. 2 HV BATTERY INTAKE DUCT

(a) Install the No. 2 HV battery intake duct and No. 3 HV battery intake duct with the clip.

#### NOTICE:

Ensure that the duct is installed securely.

### 3. INSTALL NO. 4 HV BATTERY INTAKE DUCT

(a) Install the No. 4 HV battery intake duct with the clip.

NOTICE:

Ensure that the duct is installed securely.

#### 4. INSTALL NO. 1 HV BATTERY INTAKE DUCT

(a) Install the No. 1 HV battery intake duct with the 2 clips.

NOTICE:

Ensure that the duct is installed securely.

#### 5. INSTALL REAR SEATBACK ASSEMBLY

HINT:  .

