

## Steps

1.Remove the luggage compartment floor mat	64711
--	-------

For instructions, see Power supply/Communication System>Battery/Charging>Battery>Removal.

2.Remove Luggage compartment lamp ASSY NO.1	81330
---	-------

For details, refer to Interior body and electrical > Lighting (interior) > Luggage compartment room lamp > Removal.

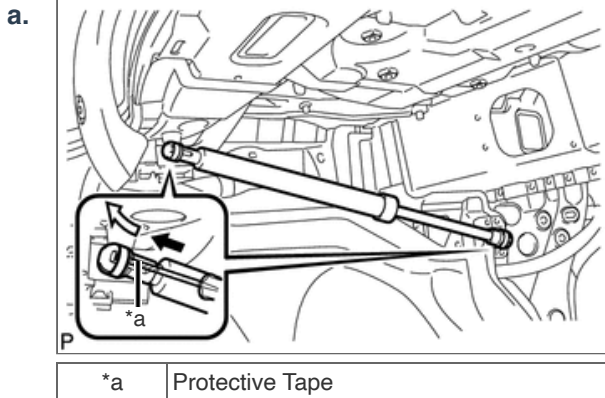
3.Remove the luggage compartment trim cover FR	See separate PDF	64717A
--	------------------	--------

For instructions, see Exterior body and electrical > Lighting > Rear combination lamp > Removal.

4.Remove the luggage compartment door support ASSY	64530A
--	--------

## Note :

- When attaching or detaching, hold the cylinder and avoid touching it during the rod stroke as much as possible to prevent foreign objects from adhering.
- Do not touch the rod part with gloves or other objects as fibers may adhere to it and cause gas leakage.
- To prevent deformation of the rod, do not apply load laterally to the cylinder.



Use a thin-bladed flat-head screwdriver wrapped in protective tape to remove the two stop rings along the grooves.

b. Disconnect the ball joint and remove the luggage compartment door support ASSY.

## Note :

While holding the luggage compartment door so that it does not fall, remove the luggage compartment door support ASSY.