

printing

close

Door/Hatch Trunk Panel (Luggage Compartment Door) Support Attachment

Steps

1.Luggage compartment door support ASSYAttachment

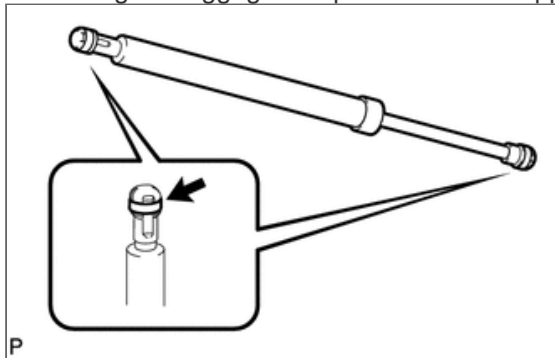
64530A

Notice :

- When attaching or detaching, hold the cylinder and avoid touching it during the rod stroke as much as possible to prevent foreign objects from adhering.
- Do not touch the rod part with gloves or other objects as fibers may adhere to it and cause gas leakage.
- To prevent deformation of the rod, do not apply load laterally to the cylinder.
- The installation status is confirmed by holding the joint.

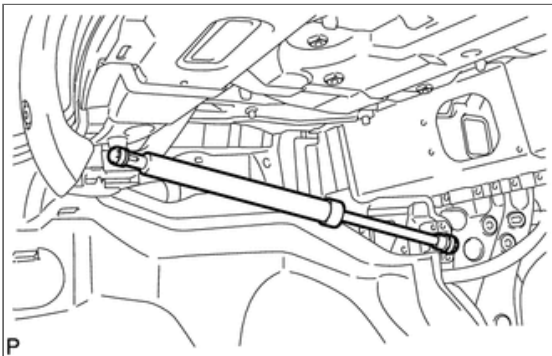
a. When reusing the luggage compartment door support assembly

i.



Attach the two stop rings to the luggage compartment door support ASSY.

b.



Attach the luggage compartment door support ASSY to the ball joint.

Notice :

- Attach the luggage compartment door support ASSY while holding the luggage compartment door in place so that it does not drop.
- Make sure the luggage compartment door support ASSY engages with the ball joint and will not come loose.

2.Luggage compartment trim cover FRAttachment

(See separate PDF)

64717A

For details, see Exterior body and electrical > Lighting > Rear combination lamp > Attachment.

3.Luggage compartment lamp ASSY NO.1Attachment

81330

For details, see Interior body and electrical > Lighting (interior) > Luggage compartment room lamp > Attachment.

 **4.Luggage compartment floor matAttachment**

64711

For details, see Power supply/Communication System>Battery/Charging>Battery>Attachment.

© 2012 TOYOTA MOTOR CORPORATION. All Rights Reserved.