

Last Modified: 7-25-2017	6.8:8.0.51	Doc ID: RM000002V4D000X
Model Year Start: 2007	Model: LS460	Prod Date Range: [09/2006 -]
Title: LIGHTING: HEADLIGHT ASSEMBLY: REMOVAL; 2007 MY LS460 [09/2006 -]		

REMOVAL

1. REMOVE COWL TOP VENTILATOR LOUVER RH [INFO](#)

2. DISCONNECT CABLE FROM NEGATIVE BATTERY TERMINAL

CAUTION:

Wait at least 90 seconds after disconnecting the cable from the negative (-) battery terminal to prevent airbag and seat belt pretensioner activation.

NOTICE:

After the engine switch is turned off, the HDD navigation system requires approximately 6 minutes to record various types of memory and settings. As a result, after turning the engine switch off, wait 6 minutes or more before disconnecting the cable from the negative (-) battery terminal.

3. REMOVE ENGINE ROOM SIDE COVER LH [INFO](#)

4. REMOVE ENGINE ROOM SIDE COVER [INFO](#)

5. REMOVE AIR CLEANER INLET COVER SUB-ASSEMBLY [INFO](#)

6. REMOVE COOL AIR INTAKE DUCT SEAL [INFO](#)

7. REMOVE FRONT FENDER WHEEL OPENING MOULDING LH [INFO](#)

8. REMOVE FRONT FENDER WHEEL OPENING MOULDING RH [INFO](#)

9. REMOVE RADIATOR GRILLE ASSEMBLY [INFO](#)

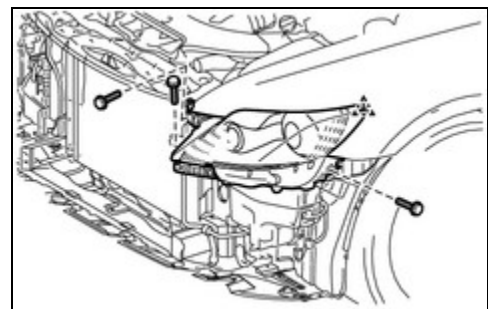
10. REMOVE FRONT WHEEL OPENING EXTENSION PAD LH [INFO](#)

11. REMOVE FRONT WHEEL OPENING EXTENSION PAD RH [INFO](#)

12. REMOVE FRONT BUMPER COVER [INFO](#)

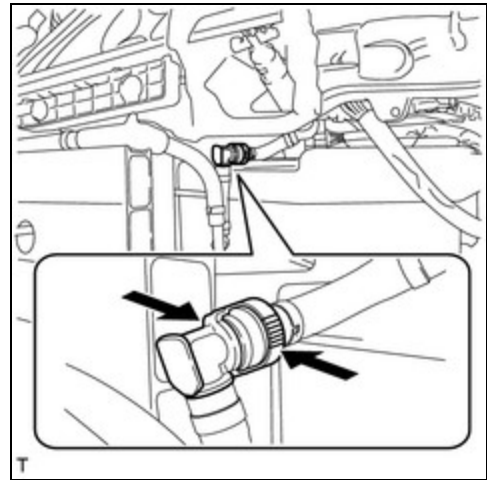
13. REMOVE HEADLIGHT ASSEMBLY LH (w/o Headlight Cleaner System)

- (a) Remove the 3 bolts.
- (b) Disconnect the connectors.
- (c) Detach the clamp and remove the headlight LH.

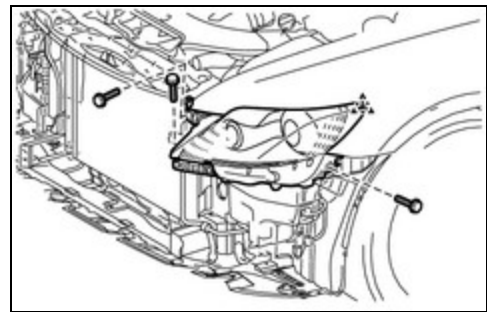


14. REMOVE HEADLIGHT ASSEMBLY LH (w/ Headlight Cleaner System)

(a) Disconnect the headlight cleaner hose as shown in the illustration.



(b) Remove the 3 bolts.



(c) Disconnect the connectors.

(d) Detach the clamp and remove the headlight LH.

