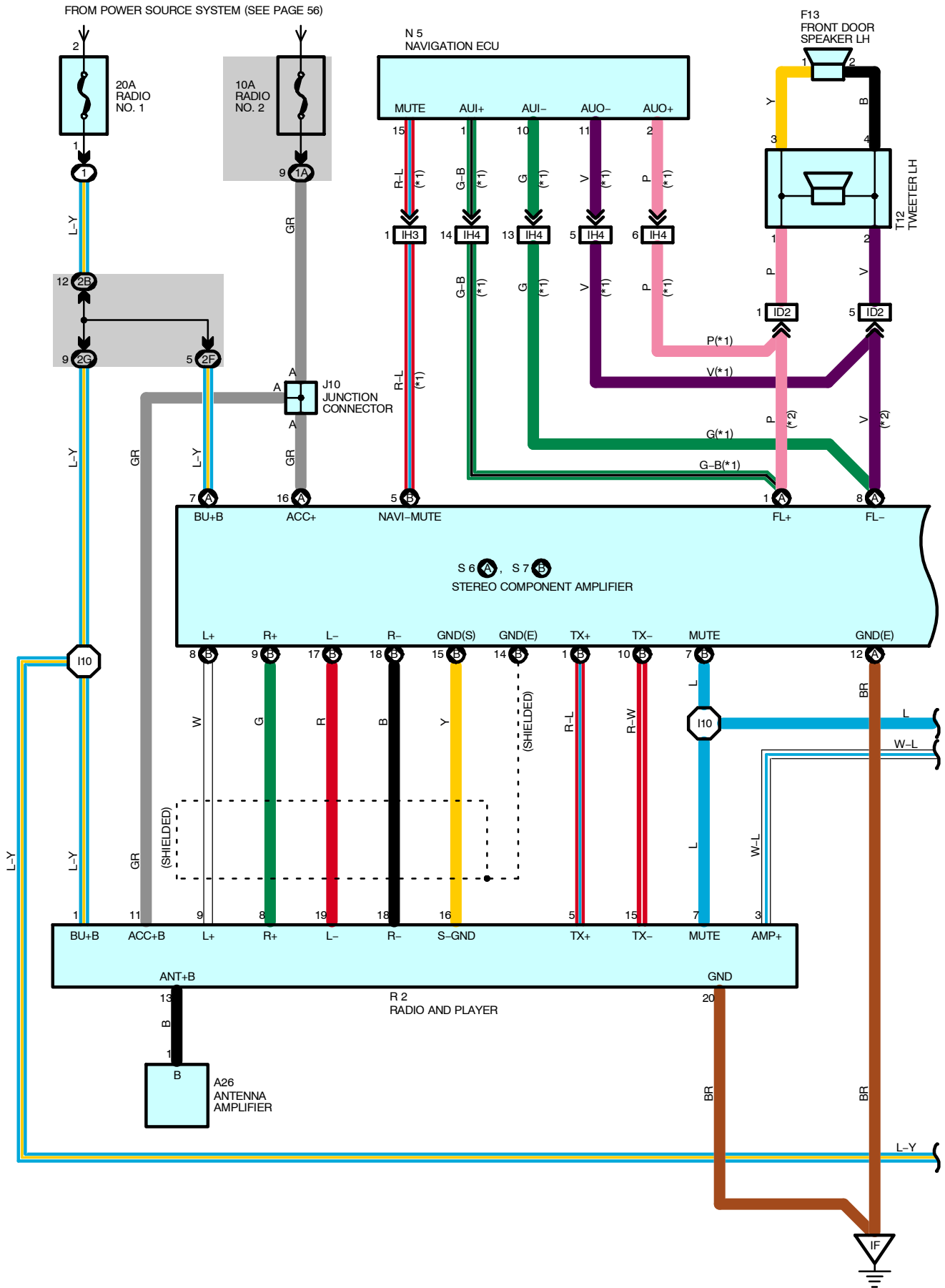
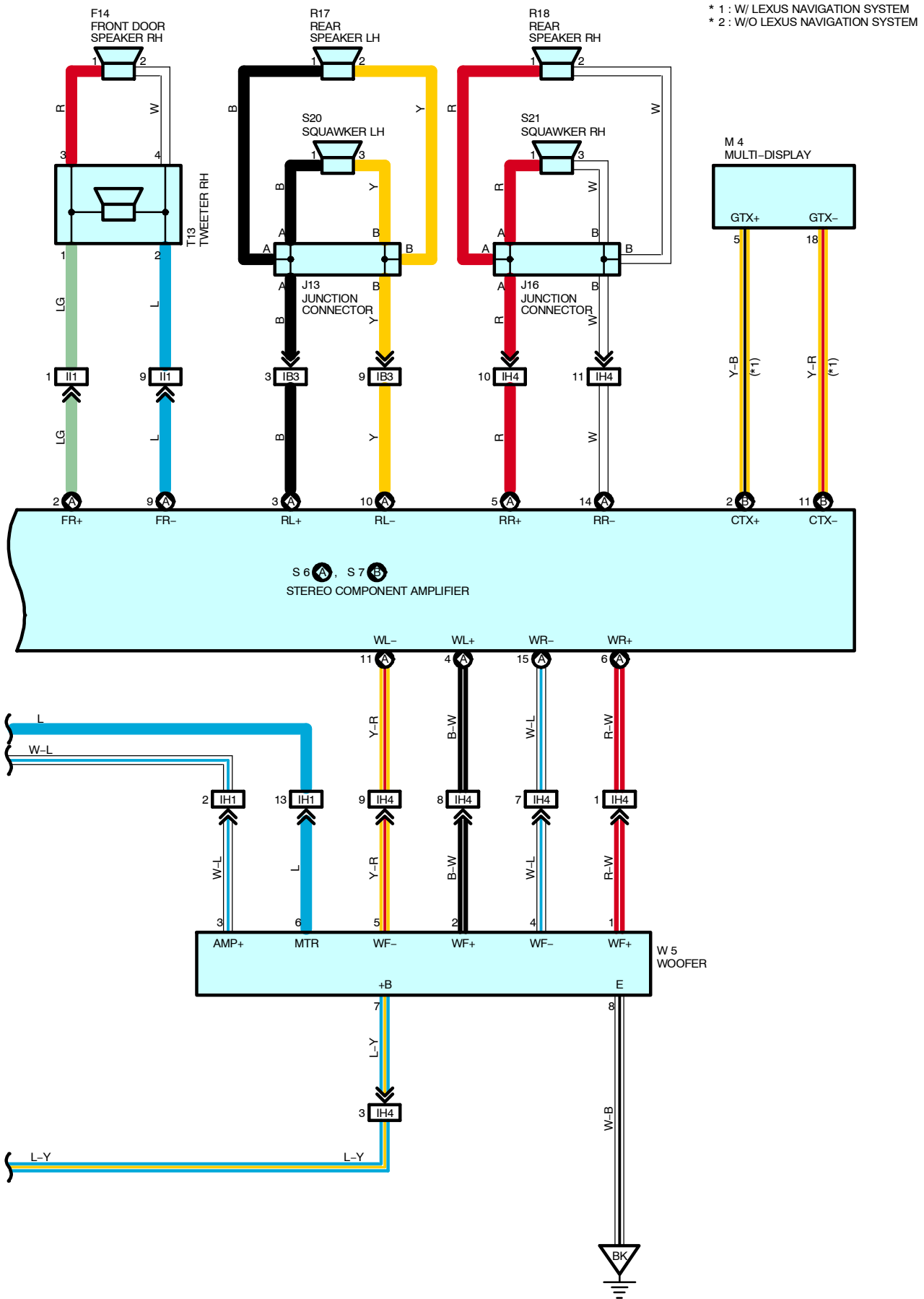


RADIO AND PLAYER (W/G)





RADIO AND PLAYER (W/G)

SERVICE HINTS

S6 (A) STEREO COMPONENT AMPLIFIER

(A)16-GROUND : Approx. **12** volts with the ignition SW at **ACC** or **ON** position

(A) 7-GROUND : Always approx. **12** volts

(A)12-GROUND : Always continuity

R2 RADIO AND PLAYER

11-GROUND : Approx. **12** volts with the ignition SW at **ACC** or **ON** position

1-GROUND : Always approx. **12** volts

20-GROUND : Always continuity

○ : PARTS LOCATION

Code	See Page	Code	See Page	Code	See Page
A26	34	M4	35	S7 B	35
F13	38 (W/G)	N5	39 (W/G)	S20	39 (W/G)
F14	38 (W/G)	R2	35	S21	39 (W/G)
J10	35	R17	39 (W/G)	T12	39 (W/G)
J13	38 (W/G)	R18	39 (W/G)	T13	39 (W/G)
J16	38 (W/G)	S6 A	35	W5	39 (W/G)

○ : RELAY BLOCKS

Code	See Page	Relay Blocks (Relay Block Location)
1	22	Engine Room No.1 R/B (Engine Compartment Right)

○ : JUNCTION BLOCK AND WIRE HARNESS CONNECTOR

Code	See Page	Junction Block and Wire Harness (Connector Location)
1A	24	Instrument Panel Wire and Driver Side J/B (Left Kick Panel)
2B	26	Engine Room Main Wire and Passenger Side J/B (Right Kick Panel)
2F	26	Instrument Panel Wire and Passenger Side J/B (Right Kick Panel)
2G		

□ : CONNECTOR JOINING WIRE HARNESS AND WIRE HARNESS

Code	See Page	Joining Wire Harness and Wire Harness (Connector Location)
IB3	44	Instrument Panel Wire and Floor No.2 Wire (Near the Driver Side J/B)
ID2	44	Front Door LH Wire and Instrument Panel Wire (Left Kick Panel)
IH1	46	Instrument Panel Wire and Floor Wire (Near the Passenger Side J/B)
IH3		
IH4		
II1	46	Front Door RH Wire and Instrument Panel Wire (Right Kick Panel)

▽ : GROUND POINTS

Code	See Page	Ground Points Location
IF	44	Front Floor Panel Center RH
BK	50 (W/G)	Front Floor Panel RH

○ : SPLICE POINTS

Code	See Page	Wire Harness with Splice Points	Code	See Page	Wire Harness with Splice Points
I10	46	Instrument Panel Wire			

