

REMOVAL

1. REMOVE INTERIOR LIGHT

- (a) Using a screwdriver, remove interior light lens.

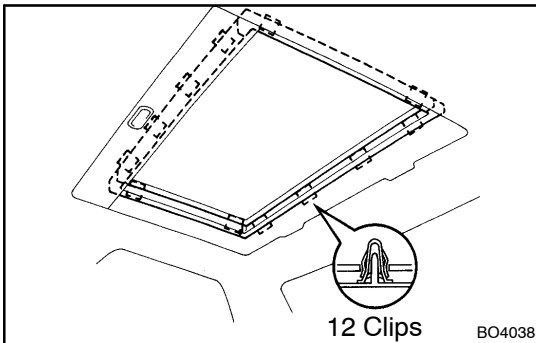
HINT:

Tape the screwdriver tip before use.

- (b) Remove the 3 screws and light.
 (c) Disconnect the connector.

2. REMOVE THESE PARTS:

- (a) Assist grips
 (b) Front pillar garnishes
 (c) Rear seat cushion and seatback
 (d) Roof side inner garnishes
 (e) Center visor
 (f) Shoulder belt anchors
 (g) Sun visors and holders
 (h) Sliding roof garnishes
 (i) Roof headlining
 (j) Sliding roof glass
 (k) Quarter trim



3. REMOVE SLIDING ROOF GARNISH

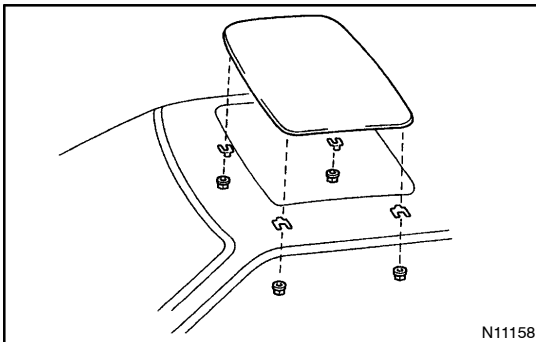
Using a screwdriver, remove the 4 sliding roof garnishes.

NOTICE:

Do not scratch the glass or garnish with the screwdriver.

HINT:

Tape the screwdriver tip before use.



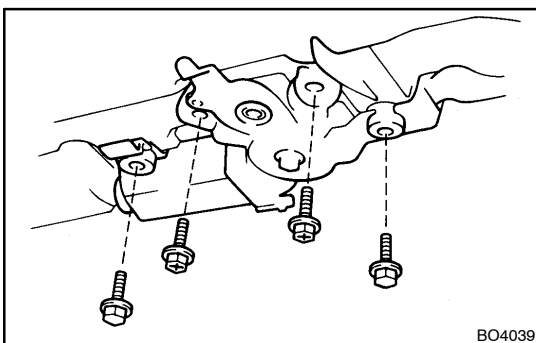
4. REMOVE SLIDING ROOF GLASS

- (a) Remove the 4 nuts and shims.

HINT:

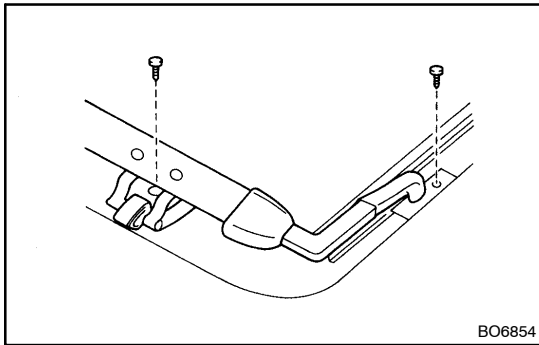
Make sure of the number of shims.

- (b) Pull the glass upward to remove it.

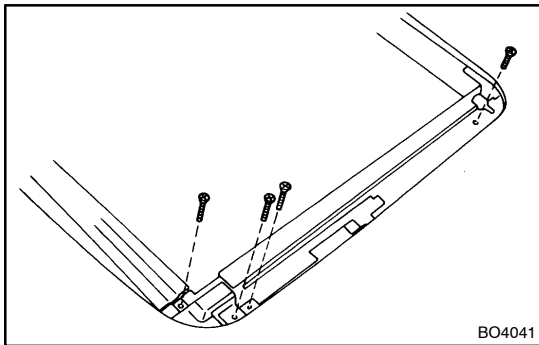


5. REMOVE DRIVE GEAR ASSEMBLY

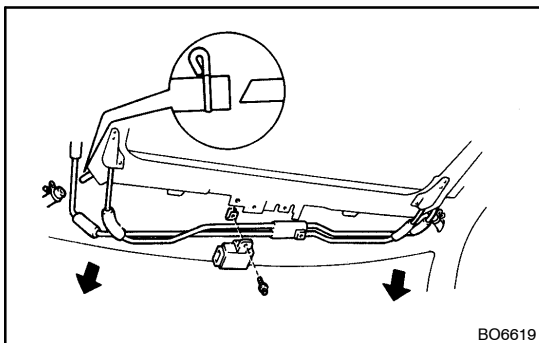
- (a) Remove the 4 bolts and gear assembly.
 (b) Disconnect the connectors from the gear.

**6. REMOVE WIND DEFLECTOR**

- (a) Slide the drive cable backward.
- (b) Remove the 4 screws and deflector.

**7. REMOVE CABLE GUIDE CASING**

- (a) Remove the 2 screws and guide rail cover.
- (b) Remove the 2 screws from the drive rail.
- (c) Slide the drive cable forward.



- (d) Pull down the roof headlining.
- (e) Disconnect front side of the drain hose.

HINT:

Disconnect the drain hose from the sliding roof housing side.

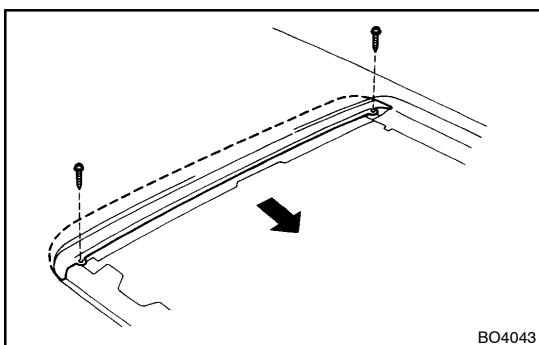
- (f) Remove the sliding roof control relay.
- (g) Remove the 2 nuts from the sliding roof housing.
- (h) Remove the cable guide casing gradually from both sides.

NOTICE:

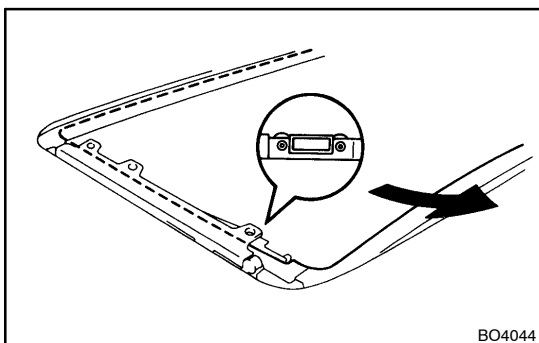
Be careful that the oily cable doesn't fall off.

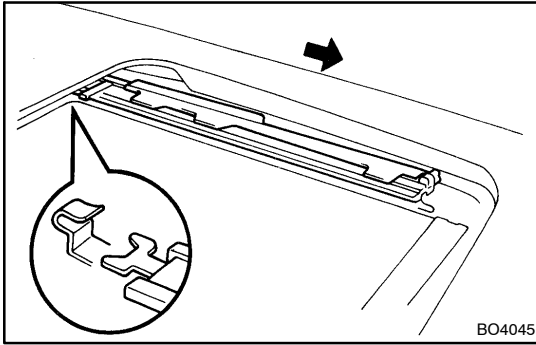
8. REMOVE ROOF DRIP CHANNEL

- (a) Remove the 2 screws.
- (b) Pull the channel forwards to remove it.

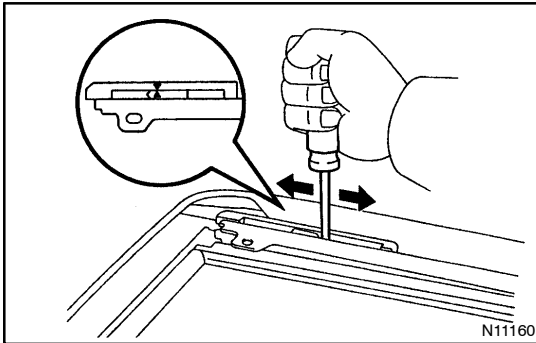
**9. REMOVE SUNSHADE TRIM**

While raising the drive rail, pull the trim forward to remove it.



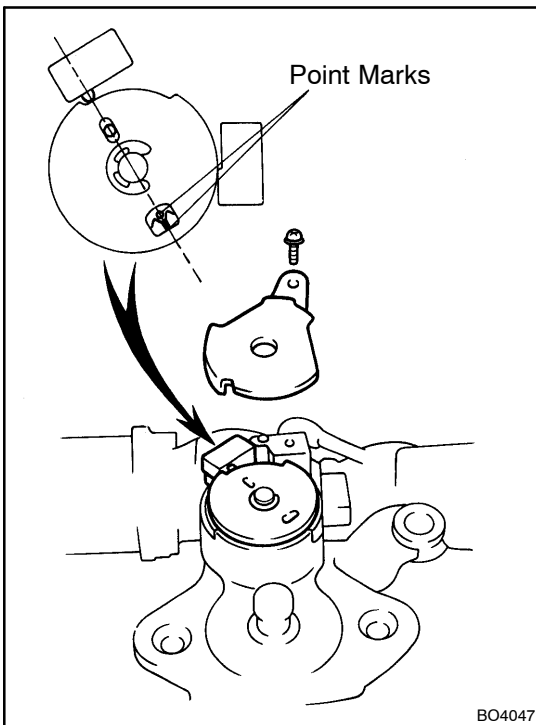
**10. REMOVE DRIVE RAIL**

- (a) Slide the drive cable forwards.
- (b) Slide the rail forward and disconnect the clamp, then remove it.

**11. ADJUST DRIVE RAIL****HINT:**

Adjust the drive rail to a closed and tilted down position.

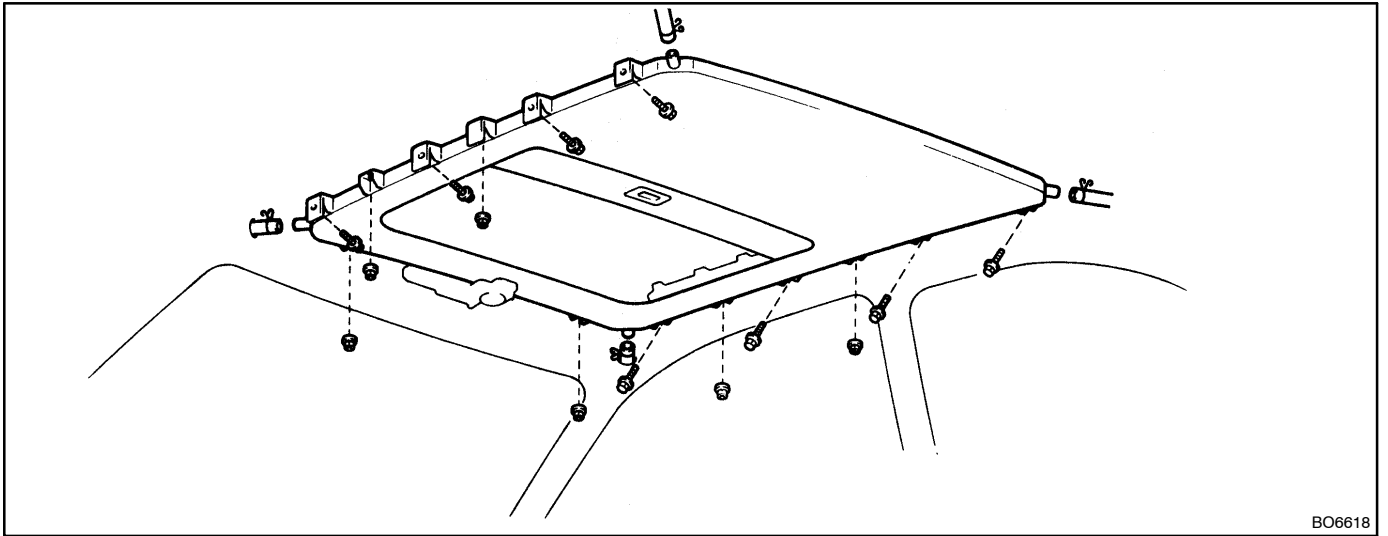
- (a) Using a screwdriver, slide the link forward or rearward to align the 2 work, as shown.
- (b) Slide the bracket to the front with your hand.

**12. ADJUST AND INSTALL DRIVE GEAR ASSEMBLY**

- (a) Remove the screw and cam plate cover.
- (b) Remove the large screw, washers and shims.
- (c) Turn the drive shaft by screwdriver to align the housing and gear point mark, as shown.
- (d) Install the drive gear assembly with 4 bolts.
- (e) Connect the connectors.

13. REMOVE SLIDING ROOF HOUSING

- (a) Disconnect the 4 drain hoses from the housing.
- (b) Disconnect the connectors.
- (c) Remove the 8 bolts.
- (d) While supporting the housing, remove 6 nuts and the housing.



BO6618