

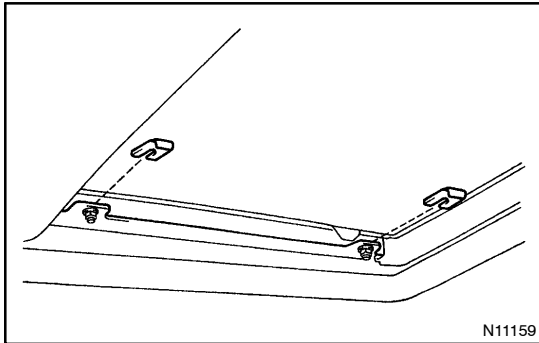
## ADJUSTMENT

### 1. REMOVE SLIDING ROOF GARNISHES

Before making adjustments, remove the left and right sliding roof garnishes.

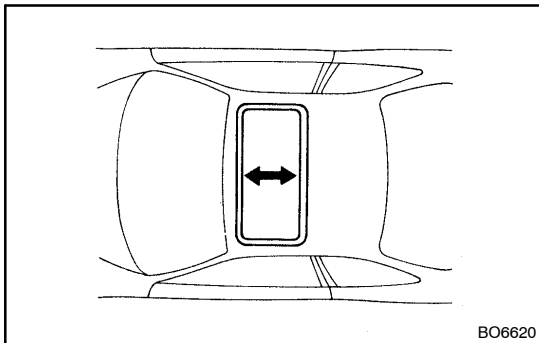
HINT:

After adjustment, reinstall the sliding roof garnishes.



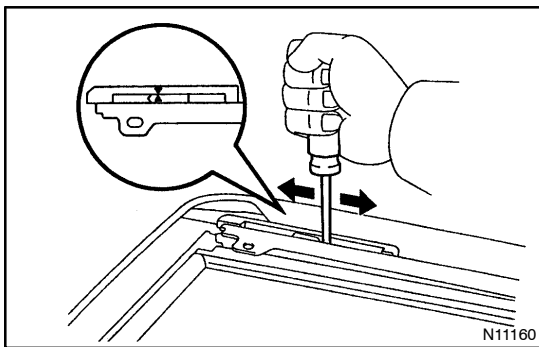
### 2. TO ADJUST LEVEL DIFFERENCE

Adjust by increasing or decreasing the number of shims between the bracket and sliding roof.



### 3. TO ADJUST FORWARD OR REARWARD

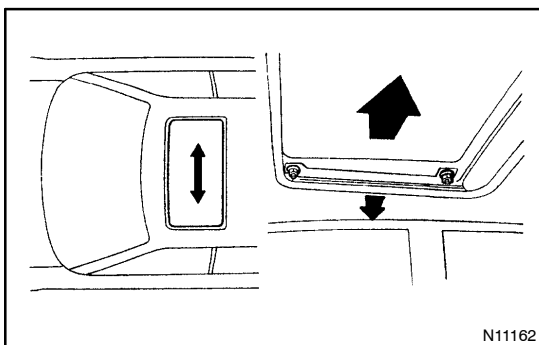
(a) Adjust by loosening the sliding roof installation nuts, and move the sliding roof bracket forwards and backwards.



(b) When the front or rear alignment is not correct, remove the glass and adjust the drive rail.

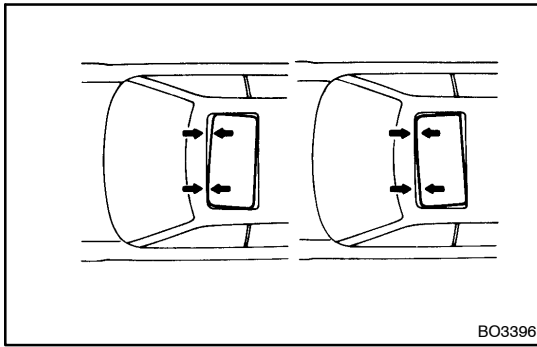
(c) Using a screwdriver, slide the link forwards or backwards to align the 2 marks as shown.

(d) Slide the bracket to the forefront with your hand.

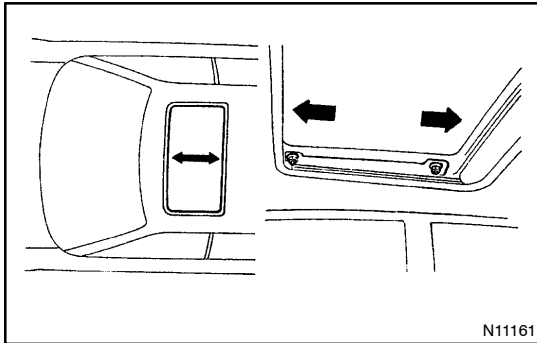


### 4. TO ADJUST RIGHT OR LEFT

Adjust by loosening the sliding roof rear shoe installation nuts, and move the sliding roof to the right and left.



**5. TO ADJUST CLEARANCE  
(Difference in left and right clearance)**



Adjust by loosening the sliding roof installation nuts and readjust the sliding roof to the proper position.