

Last Modified: 08-15-2019	6.9:8.0.49	Doc ID: RM1000000006XZU
Model Year Start: 2014	Model: IS250	Prod Date Range: [04/2013 - 08/2015]
Title: A760H (AUTOMATIC TRANSMISSION / TRANSAXLE): AUTOMATIC TRANSMISSION FLUID: ADJUSTMENT; 2014 - 2015 MY IS250 IS350 [04/2013 - 08/2015]		

ADJUSTMENT

PROCEDURE

1. BEFORE FILLING TRANSMISSION

- The A760H automatic transmission with transfer assembly requires Toyota Genuine ATF WS.
- If the entire automatic transmission with transfer assembly, automatic transmission oil pan sub-assembly, drain plug, transmission valve body assembly and/or torque converter assembly has been replaced, proceed to the Fill Transmission procedure.
- If the automatic transmission extension housing oil seal has been replaced and/or automatic transmission fluid leak has been repaired, proceed to the Check Fluid Temperature procedure.

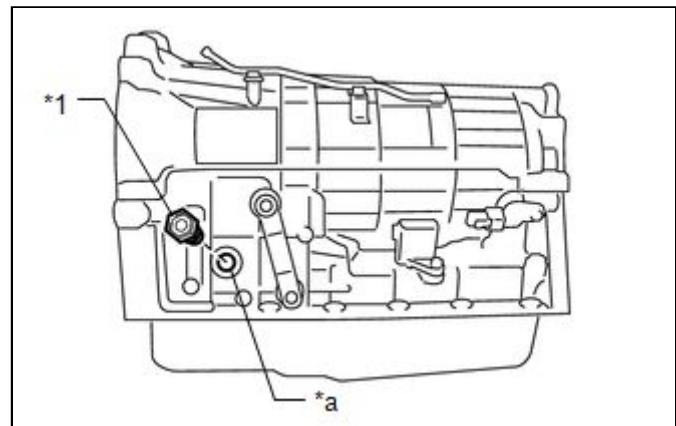
2. FILL TRANSMISSION PAN WITH FLUID

- (a) Lift the vehicle.

NOTICE:

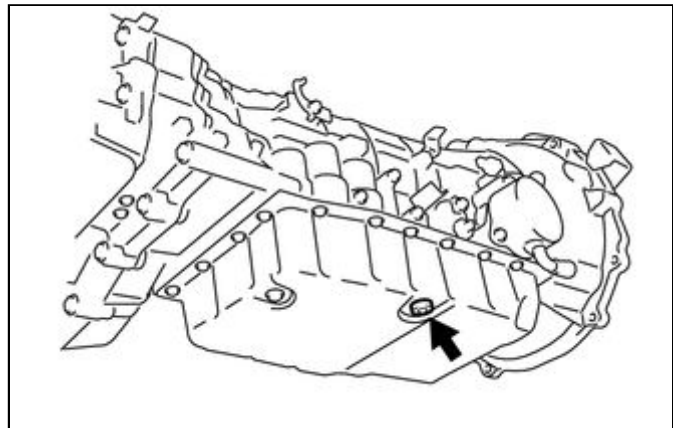
Set the vehicle on a lift so that the vehicle is kept level when it is lifted up (make sure that the tilt angle from the front to rear of the vehicle is within +/- 1°).

- (b) Remove the refill plug and O-ring from the automatic transmission with transfer assembly.



*1	Refill Plug
*a	Refill Hole

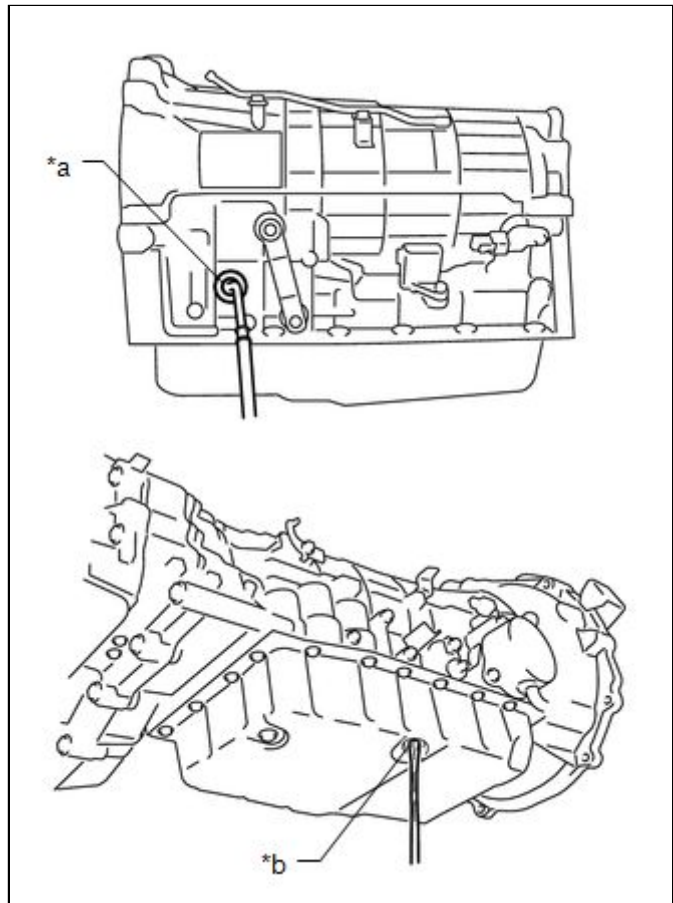
- (c) Using a 5 mm hexagon socket wrench, remove the overflow plug and gasket from the automatic transmission with transfer assembly.



(d) Add automatic transmission fluid to the refill hole until it flows out of the overflow hole.

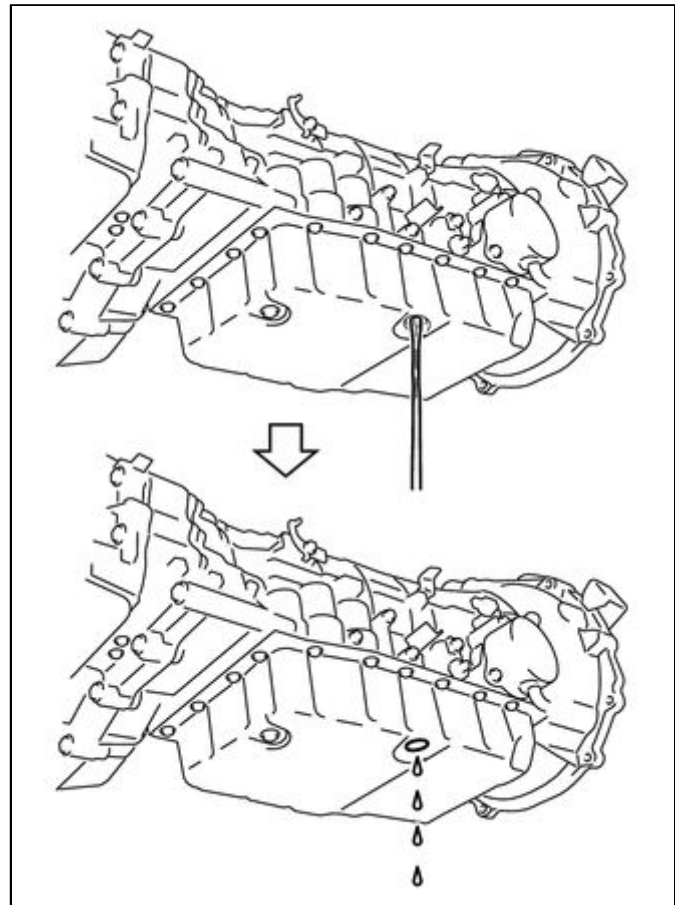
NOTICE:

- Use Toyota Genuine ATF WS.
- Be sure to add automatic transmission fluid slowly. If automatic transmission fluid is added quickly, the automatic transmission fluid may hit internal parts and bounce back, resulting in automatic transmission fluid coming out of the refill hole.



*a	Refill Hole
*b	Overflow Hole

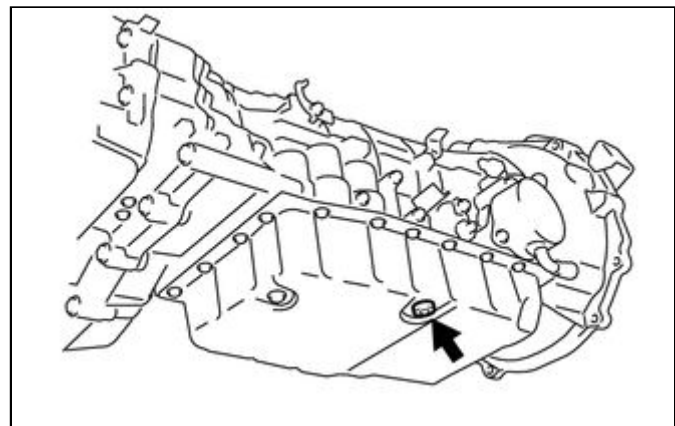
(e) Wait until the automatic transmission fluid flow slows and only drips come out.



(f) Using a 5 mm hexagon socket wrench, temporarily install the overflow plug and gasket to the automatic transmission with transfer assembly.

HINT:

Reuse the old gasket as the overflow plug will be removed again.



3. FILL TRANSMISSION

(a) Fill the automatic transmission with transfer assembly with the correct amount of automatic transmission fluid as listed in the table below.

Standard Capacity:

PERFORMED REPAIR	FILL AMOUNT (FOR 4GR-FSE)	FILL AMOUNT (FOR 2GR-FSE)
Removal and installation of the automatic transaxle oil pan sub-assembly and drain plug	1.6 liters (1.7 US qts, 1.4 Imp.qts)	1.6 liters (1.7 US qts, 1.4 Imp.qts)

PERFORMED REPAIR	FILL AMOUNT (FOR 4GR-FSE)	FILL AMOUNT (FOR 2GR-FSE)
Removal and installation of the transmission valve body assembly	3.8 liters (4.0 US qts, 3.3 Imp.qts)	3.4 liters (3.6 US qts, 3.0 Imp. qts)
Removal and installation of the torque converter assembly	4.9 liters (5.2 US qts, 4.3 Imp.qts)	4.3 liters (4.5 US qts, 3.8 Imp. qts)
Entire automatic transmission with transfer assembly	9.4 liters (9.9 US qts, 8.3 Imp.qts)	10 liters (10.6 US qts, 8.8 Imp. qts)

HINT:

If the specified amount of automatic transmission fluid cannot be added, perform the following:

- (1) Temporarily install the O-ring and the refill plug to the automatic transmission with transfer assembly.

HINT:

Reuse the old O-ring as the refill plug will be removed again.

- (2) Lower the vehicle.
- (3) Start the engine.

NOTICE:

To reduce load, make sure that all electrical systems, such as the air conditioning, lighting system, electric fan and audio system are off.

- (4) Slowly move the shift lever from P to D, select the 1 range to the 6 range and then move the shift lever to P.
- (5) Allow the engine to idle for 30 seconds to warm it up.
- (6) Turn the engine switch off.
- (7) Remove the refill plug and O-ring from the automatic transmission with transfer assembly.
- (8) Fill the automatic transmission with transfer assembly with the correct amount of automatic transmission fluid as listed in the table above.
- (9) Temporarily install the O-ring and the refill plug to the automatic transmission with transfer assembly.

HINT:

Reuse the old O-ring as the refill plug will be removed again.

4. ADJUST FLUID TEMPERATURE**NOTICE:**

The automatic transmission fluid temperature can be confirmed by checking the D shift indicator on the combination meter or using the Techstream. When not using the Techstream, it is necessary to change to automatic transmission fluid temperature detection mode.

- (a) When using the Techstream:

HINT:

The actual ATF temperature can be checked on the Data List using the Techstream.

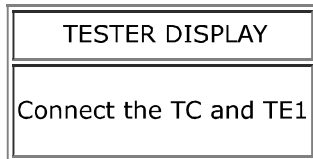
- (1) Connect the Techstream to the DLC3 with the engine switch off.
- (2) Turn the engine switch on (IG) and turn the Techstream on.

NOTICE:

To reduce load, make sure that all electrical systems, such as the air conditioning, lighting system, electric fan and audio system are off.

(3) Enter the following menus: Powertrain / ECT / Active Test / Connect the TC and TE1.

Powertrain > ECT > Active Test



(4) Select the Active Test menu: Connect the TC and TE1 / ON.

(5) Select the Data List item: A/T Oil Temperature 1.

(6) for 4GR-FSE:

Check the ATF temperature.

NOTICE:

- If the automatic transmission fluid temperature is below 44°C (111°F), proceed to the next step. (Recommended ATF temperature: 39°C [102°F] or less)
- If the automatic transmission fluid temperature is 44°C (111°F) or more, turn the engine switch off and wait until the automatic transmission fluid temperature drops below 39°C (102°F).

(7) for 2GR-FSE:

Check the ATF temperature.

NOTICE:

- If the automatic transmission fluid temperature is below 49 °C (120 °F), proceed to the next step. (Recommended ATF temperature: 39°C (102°F) or less)
- If the automatic transmission fluid temperature is 49 °C (120 °F) or more, turn the engine switch off and wait until the automatic transmission fluid temperature drops below 39°C (102°F).

(8) Depress and hold the brake pedal.

(9) Start the engine.

NOTICE:

To reduce load, make sure that all electrical systems, such as the air conditioning, lighting system, electric fan and audio system are off.

(10) Slowly move the shift lever from P to D, select the 1 range to the 6 range and then move the shift lever to P.

HINT:

Slowly move the shift lever to circulate the automatic transmission fluid through each part of the automatic transmission with transfer assembly.

(11) While observing the D shift indicator on the combination meter, move the shift lever back and forth between N and D at an interval of less than 1.5 seconds for 6 seconds or more.

NOTICE:

Do not pause for more than 1.5 seconds.

HINT:

Performing this operation will cause the vehicle to enter automatic transmission fluid temperature detection mode.

(12) Check that the D shift indicator comes on for 2 seconds.

HINT:

- When automatic transmission fluid temperature detection mode is activated, the D shift indicator on the combination meter comes on for 2 seconds.

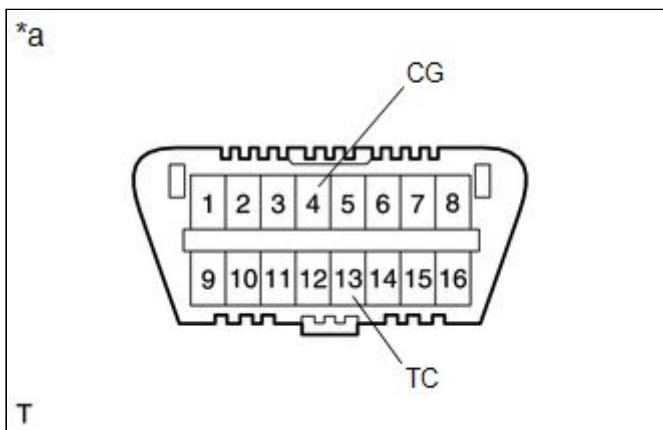
- If the D shift indicator does not come on for 2 seconds, return to the first step and perform the procedure again.
- (13) Move the shift lever from N to P.
 - (14) Release the brake pedal.
 - (15) Select the Active Test item: Connect the TC and TE1 / OFF.

NOTICE:

Be sure that terminals TC and TE1 are not connected. If the terminals are connected, the automatic transmission fluid level cannot be precisely adjusted due to fluctuations in engine speed.

HINT:

- Disconnecting terminals TC and TE1 activates engine idle speed control mode.
 - Even after terminals TC and TE1 are disconnected, automatic transmission fluid temperature detection mode will be active until the engine switch is turned off.
- (b) When not using the Techstream:



*a	DLC3
----	------

- (1) Using SST, connect terminals 13 (TC) and 4 (CG) of the DLC3 with the engine switch off.

SST: 09843-18040

- (2) Depress and hold the brake pedal.
- (3) Start the engine.

NOTICE:

To reduce load, make sure that all electrical systems, such as the air conditioning, lighting system, electric fan and audio system, are off.

HINT:

The indicator lights on the combination meter blink to indicate DTCs when terminals TC and CG are connected.

- (4) Slowly move the shift lever from P to D, select the 1 range to the 6 range and then move the shift lever to P.

HINT:

Slowly move the shift lever to circulate the automatic transmission fluid through each part of the automatic transmission with transfer assembly.

- (5) While observing the D shift indicator on the combination meter, move the shift lever back and forth between N and D at an interval of less than 1.5 seconds for 6 seconds or more.

NOTICE:

Do not pause for more than 1.5 seconds.

HINT:

Performing this operation will cause the vehicle to enter automatic transmission fluid temperature detection mode.

(6) Check that the D shift indicator comes on for 2 seconds.

HINT:

- When automatic transmission fluid temperature detection mode is activated, the D shift indicator on the combination meter comes on for 2 seconds.
- If the D shift indicator does not come on for 2 seconds, return to the first step and perform the procedure again.

(7) Move the shift lever from P.

(8) Release the brake pedal.

(9) Remove SST from terminals 13 (TC) and 4 (CG).

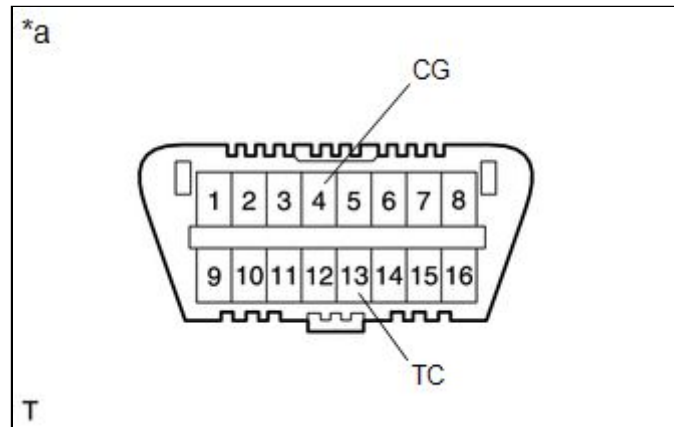
SST: 09843-18040

NOTICE:

Be sure that terminals TC and CG are not connected. If the terminals are connected, the automatic transmission fluid level cannot be precisely adjusted due to fluctuations in engine speed.

HINT:

- Disconnecting terminals TC and CG activates the engine idle speed control mode.
- Even after terminals TC and CG are disconnected, automatic transmission fluid temperature detection mode will be active until the engine switch is turned off.



*a	DLC3
----	------

(c) for 4GR-FSE:

Allow the engine to idle until the automatic transmission fluid temperature reaches 39 to 44°C (102 to 111°F).

(d) for 2GR-FSE:

Allow the engine to idle until the automatic transmission fluid temperature reaches 39 to 49°C (102 to 120°F).

(e) for 4GR-FSE:

The D shift indicator will come on again when the automatic transmission fluid temperature reaches 39°C (102°F) and will blink when it exceeds 44°C (111°F).

HINT:

Adjust the automatic transmission fluid level when the D shift position indicator is illuminated.

1. If the D shift position indicator is not illuminated, idle the engine to warm it up until the D shift position indicator illuminates.
2. If the D shift position indicator is illuminated, immediately begin to adjust the automatic transmission fluid level.
3. If the D shift position indicator is blinking, stop the engine to cool the automatic transmission fluid. Once the automatic transmission fluid temperature drops to the appropriate level, perform the automatic transmission fluid level adjustment procedure again.

D Shift Indicator

Below Automatic Transmission Fluid Level Adjustment Temperature (39°C or less)	Automatic Transmission Fluid Level Adjustment Temperature (39 to 44°C)	Above Automatic Transmission Fluid Level Adjustment Temperature (44°C or more)
---	---	---

(102°F or less)	(102 to 111°F)	(111°F or more)
OFF	ON	Blinks

(f) for 2GR-FSE:

The D shift indicator will come on again when the automatic transmission fluid temperature reaches 39°C (102°F) and will blink when it exceeds 49 °C (120 °F).

HINT:

Adjust the automatic transmission fluid level when the D shift position indicator is illuminated.

1. If the D shift position indicator is not illuminated, idle the engine to warm it up until the D shift position indicator illuminates.
2. If the D shift position indicator is illuminated, immediately begin to adjust the automatic transmission fluid level.
3. If the D shift position indicator is blinking, stop the engine to cool the automatic transmission fluid. Once the automatic transmission fluid temperature drops to the appropriate level, perform the automatic transmission fluid level adjustment procedure again.

D Shift Indicator

Below Automatic Transmission Fluid Level Adjustment Temperature (39°C or less) (102°F or less)	Automatic Transmission Fluid Level Adjustment Temperature (39 to 49°C) (102 to 120°F)	Above Automatic Transmission Fluid Level Adjustment Temperature (49°C or more) (120°F or more)
OFF	ON	Blinks

5. CHECK FLUID LEVEL

CAUTION:

Use caution while the engine is idling and the radiator fan is operating.

(a) Lift the vehicle.

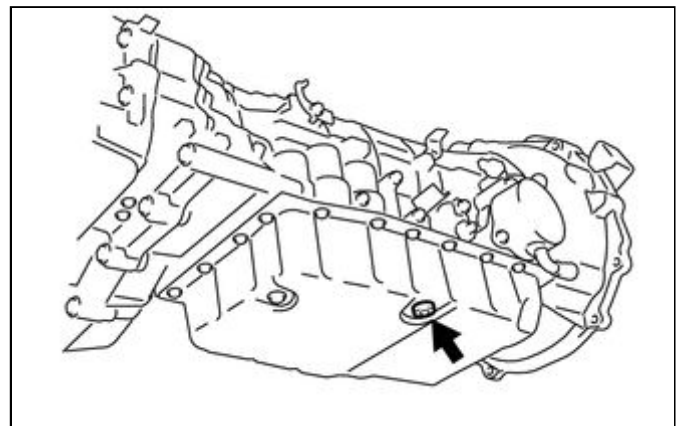
NOTICE:

Set the vehicle on a lift so that the vehicle is kept level when it is lifted up (make sure that the tilt angle from the front to rear of the vehicle is within +/- 1°).

(b) Using a 5 mm hexagon socket wrench, remove the overflow plug and gasket from the automatic transmission with transfer assembly.

CAUTION:

Be careful as the automatic transmission fluid coming out of the overflow hole is hot.



(c) Check the amount of automatic transmission fluid that comes out of the overflow hole.

- If the amount of automatic transmission fluid that comes out of the overflow hole is large, proceed to step [*1].

- If no automatic transmission fluid comes out of the overflow hole, proceed to step [*2].

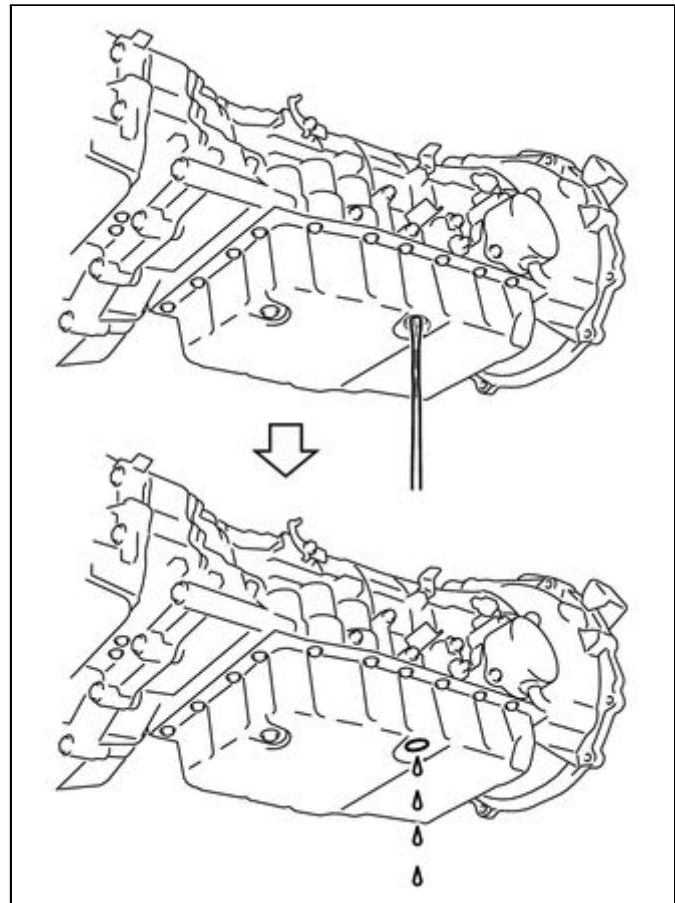
NOTICE:

If only a small amount of automatic transmission fluid (approximately 5 cc) comes out of the overflow hole, then only automatic transmission fluid remaining in the No. 1 transmission oil filler tube has come out. This is not considered to be overflow.

- (d) If the amount of automatic transmission fluid that comes out of the overflow hole is large, wait until the automatic transmission fluid flow slows and only drips come out. [*1]

HINT:

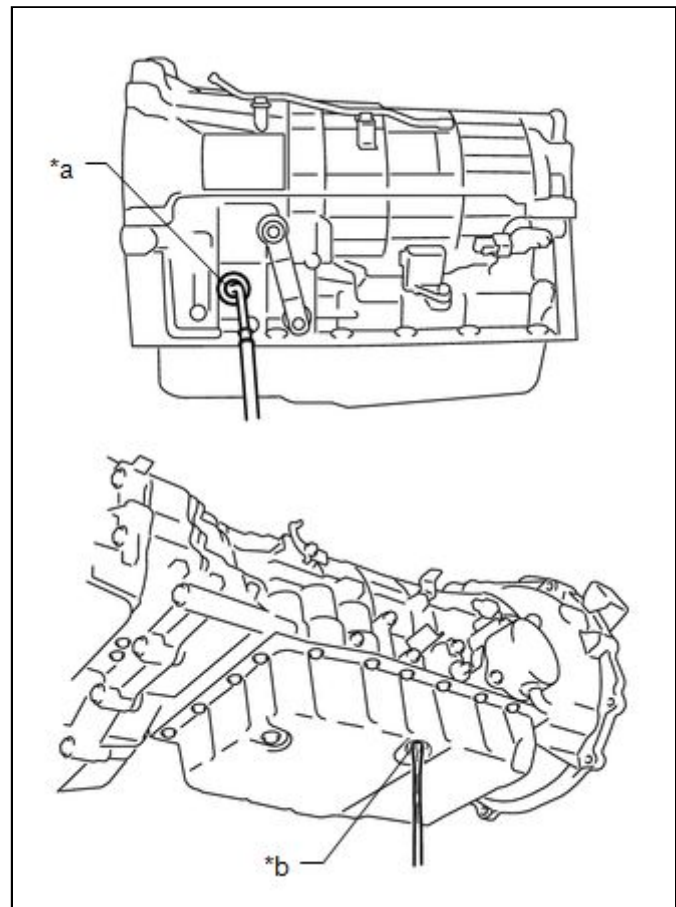
The automatic transmission fluid flow will not stop completely because the automatic transmission fluid continues to expand as its temperature increases.



- (e) If no automatic transmission fluid comes out of the overflow hole, remove the refill plug and gasket. Then add automatic transmission fluid through the refill hole until automatic transmission fluid comes out of the overflow hole. Wait until the automatic transmission fluid flow slows and only drips come out. [*2]

NOTICE:

Use Toyota Genuine ATF WS.

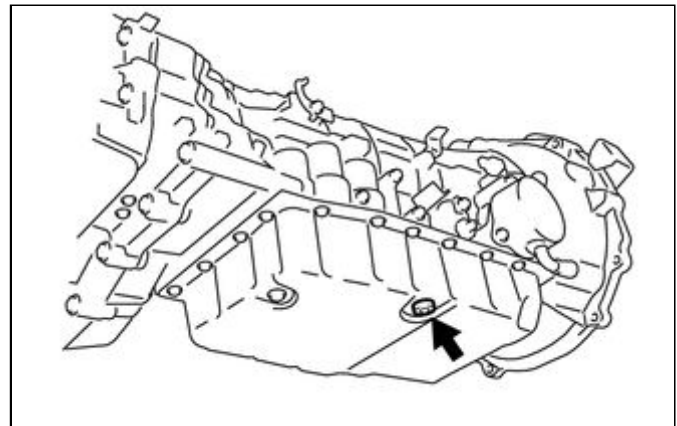


*a	Refill Hole
*b	Overflow Hole

(f) Using a 5 mm hexagon socket wrench, install the overflow plug and a new gasket to the automatic transmission with transfer assembly.

Torque:

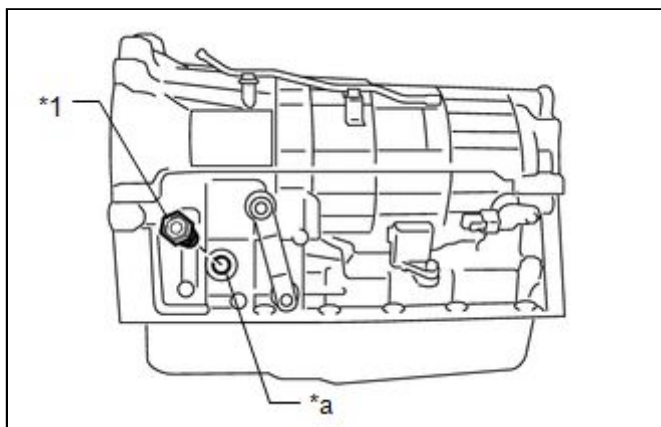
20 N·m {204 kgf·cm, 15 ft·lbf}



(g) Install the refill plug and a new O-ring to the automatic transmission with transfer assembly.

Torque:

39.2 N·m {400 kgf·cm, 29 ft·lbf}



*1	Refill Plug
*a	Refill Hole

- (h) Lower the vehicle.
- (i) Turn the engine switch off.

HINT:

Turning the engine switch off exits automatic transmission fluid temperature detection mode.

- (j) Remove the Techstream from the DLC3 (when using the Techstream).

6. AFTER FILLING TRANSMISSION

- (a) Lift the vehicle.
- (b) Clean each part.
- (c) Check for automatic transmission fluid leaks.
- (d) Lower the vehicle.

7. ATF THERMAL DEGRADATION ESTIMATE RESET

NOTICE:

Approximately 50% or more of the ATF has been replaced during a repair of the transmission or a similar operation.

Click here [INFO](#)

