

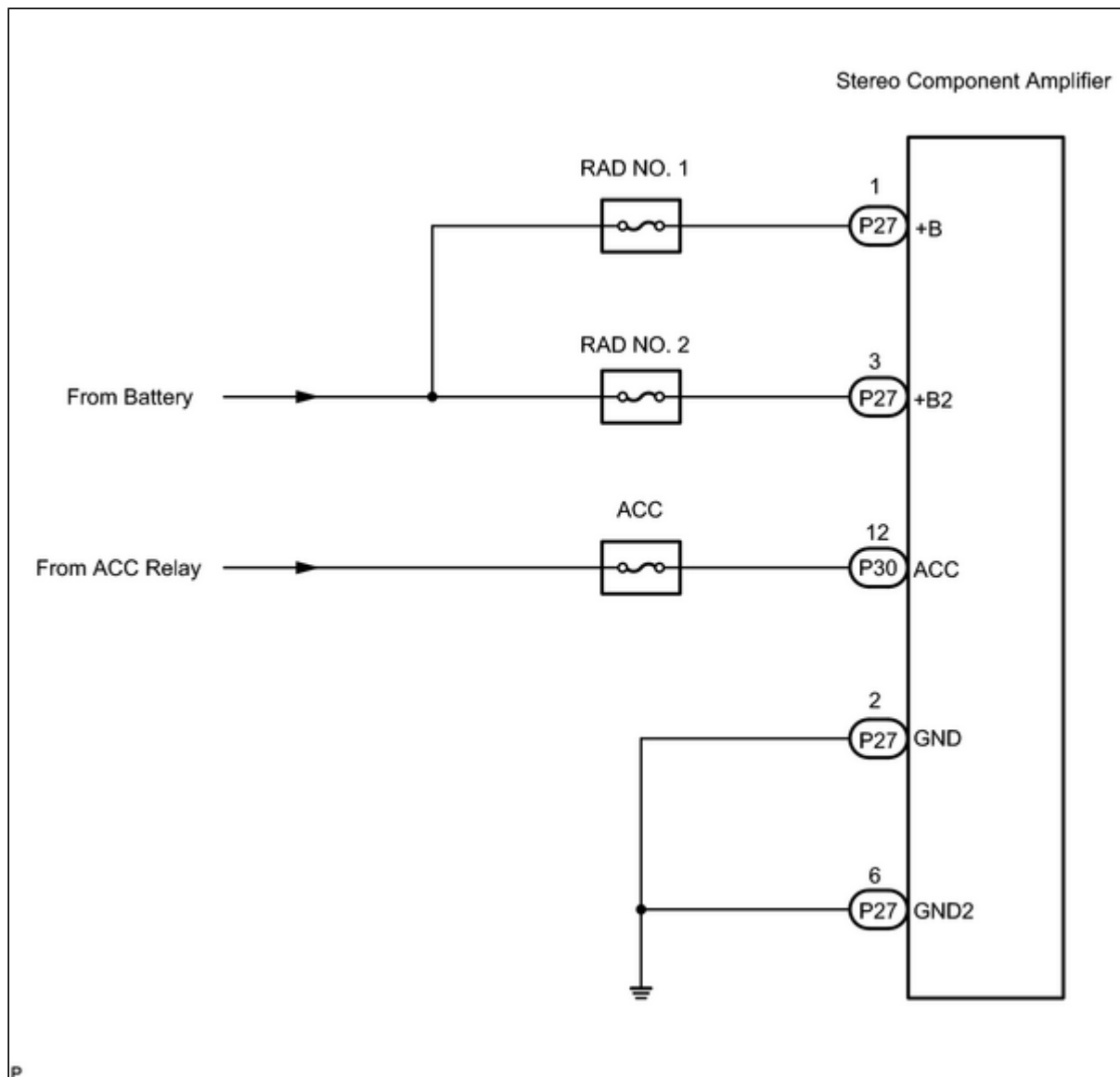
<b>Last Modified:</b> 6-27-2019	6.8:8.0.48	<b>Doc ID:</b> RM0000012CJ007X
<b>Model Year Start:</b> 2006	<b>Model:</b> IS350	<b>Prod Date Range:</b> [08/2005 - ]
<b>Title:</b> AUDIO / VISUAL: AUDIO AND VISUAL SYSTEM: Stereo Component Amplifier Power Source Circuit; 2006 MY IS250 IS350 [08/2005 - ]		

## Stereo Component Amplifier Power Source Circuit

### DESCRIPTION

This circuit provides power to the stereo component amplifier.

### WIRING DIAGRAM

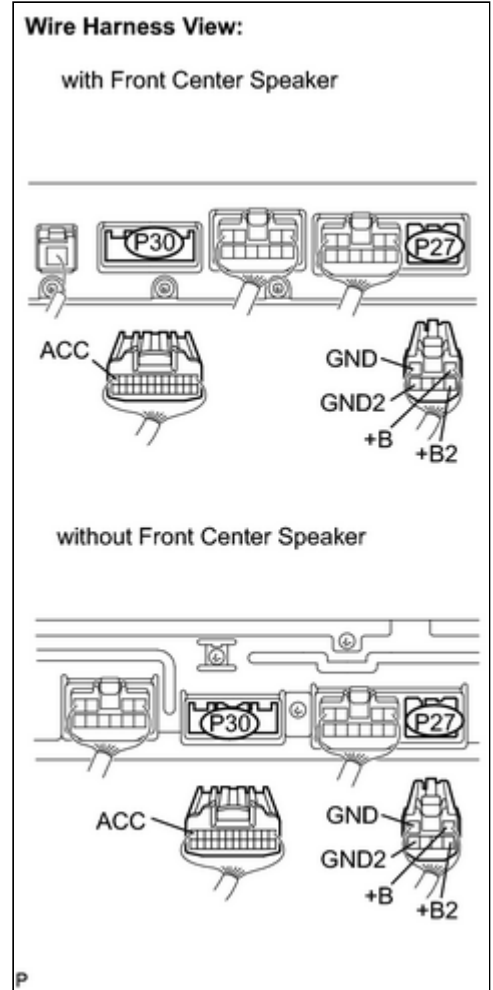


### INSPECTION PROCEDURE

### PROCEDURE

**1. INSPECT STEREO COMPONENT AMPLIFIER**

(a) Disconnect the stereo component amplifier connectors.



(b) Measure the resistance according to the values in the table below.

Standard resistance:

TESTER CONNECTION	CONDITION	SPECIFIED CONDITION
GND - Body ground	Always	Below 1 Ω
GND2 - Body ground	Always	Below 1 Ω

(c) Measure the voltage according to the values in the table below.

Standard voltage:

TESTER CONNECTION	CONDITION	SPECIFIED CONDITION
+B - GND	Always	10 to 14 V
+B2 - GND	Always	10 to 14 V
ACC - GND	Engine switch on (ACC)	10 to 14 V

**NG** REPAIR OR REPLACE HARNESS OR CONNECTOR

**OK**

**▶ PROCEED TO NEXT CIRCUIT INSPECTION SHOWN IN  
PROBLEM SYMPTOMS TABLE**

