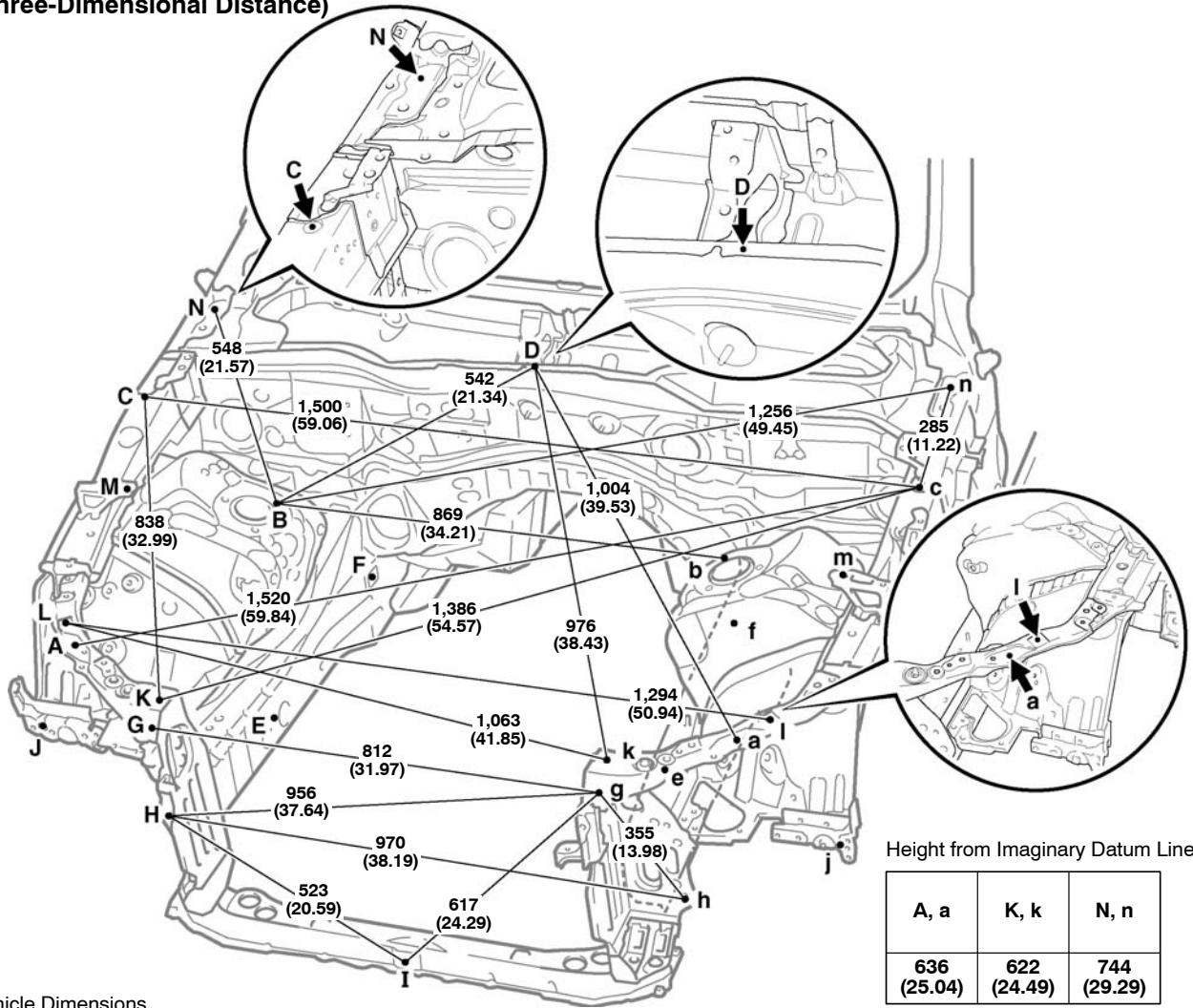


# BODY DIMENSION DRAWINGS

## ENGINE COMPARTMENT

(Three-Dimensional Distance)



Vehicle Dimensions

A - a	A - C or a - c	A - N or a - n	A - n or a - N	B - f or b - F	C - n or c - N	D - E or D - e	D - F or D - f	E - e	F - f
1,227 (48.30)	685 (26.97)	963 (37.91)	1,653 (65.08)	881 (34.69)	1,513 (59.57)	803 (31.61)	614 (24.17)	742 (29.21)	730 (28.74)

J - j	K - k	K - N or k - n	K - n or k - N	L - N or l - n	L - n or l - N	M - m	M - N or m - n	M - n or m - N
1,500 (59.06)	812 (31.97)	1,099 (43.27)	1,550 (61.02)	912 (35.91)	1,654 (65.12)	1,363 (53.66)	562 (22.13)	1,523 (59.96)

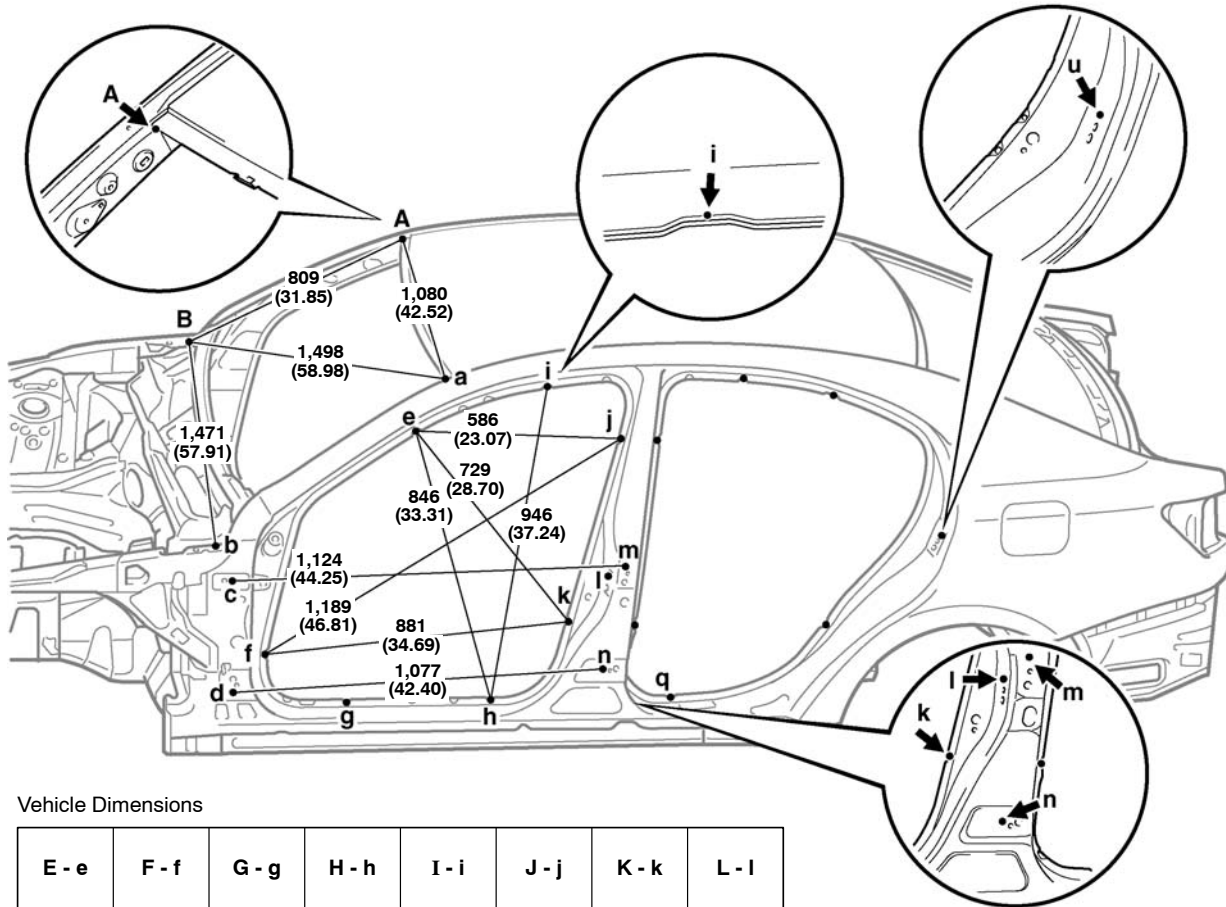
HINT: For symbols, capital letters indicate right side of vehicle, small letters indicate left side of vehicle (seen from rear).

mm (in.)

Symbol	Name	Hole dia.	Symbol	Name	Hole dia.
A, a	Front fender installation nut	M6 (0.24)	H, h	Front bumper mounting reinforcement installation nut	M10 (0.39)
B, b	Front suspension support installation hole-inner	ø14 (0.55)	I	Hood lock support brace installation nut	M6 (0.24)
C, c	Front epron to cowl side upper member standard hole	ø10 (0.39)	J, j	Radiator support to front fender bracket standard hole	ø10 (0.39)
D	Cowl top panel center mark	—	K, k	Radiator upper support installation nut	M6 (0.24)
E, e	Front side member standard hole	ø15 (0.59)	L, l	Radiator upper support standard hole	ø10 (0.39)
F, f	Front side member standard hole	ø15 (0.59)	M, m	Front fender installation nut	M6 (0.24)
G, g	Radiator upper support installation nut	M6 (0.24)	N, n	Hood hinge installation nut-rear	M8 (0.31)

BODY OPENING AREAS (Side View: Front)

(Three-Dimensional Distance)



Vehicle Dimensions

E - e	F - f	G - g	H - h	I - i	J - j	K - k	L - l
1,211 (47.68)	1,467 (57.76)	1,492 (58.74)	1,492 (58.74)	1,116 (43.94)	1,285 (50.59)	1,461 (57.52)	1,543 (60.75)

E - f or e - F	E - h or e - H	E - i or e - I	E - k or e - K	F - j or f - J	F - k or f - K	G - h or g - H	H - i or h - I	G - q or g - Q	C - L or c - l	D - L or d - l	E - G or e - g
1,544 (60.79)	1,588 (62.52)	1,230 (48.43)	1,517 (59.72)	1,816 (71.50)	1,709 (67.28)	1,550 (61.02)	1,600 (62.99)	1,770 (69.68)	1,082 (42.60)	1,131 (44.53)	830 (32.68)

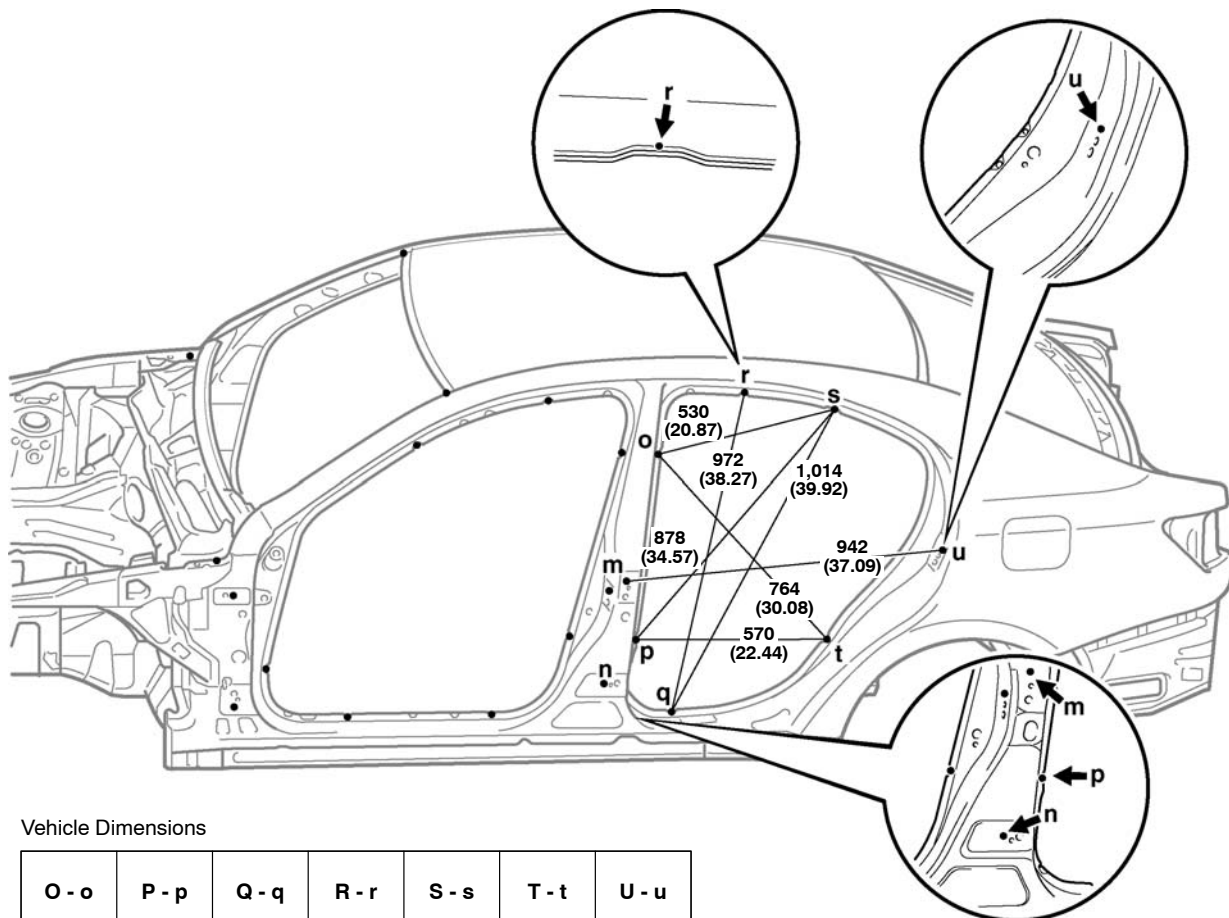
HINT: For symbols, capital letters indicate right side of vehicle, small letters indicate left side of vehicle (seen from rear).

mm (in.)

Symbol	Name	Hole dia.	Symbol	Name	Hole dia.
A, a	Roof panel/Side panel adjoining portion	—	I, i	Roof side rail assembly mark	—
B, b	Hood hinge installation nut-rear	M8 (0.31)	J, j	Center body pillar assembly mark	—
C, c	Front door hinge installation nut-rear	M8 (0.31)	K, k	Center body pillar assembly mark	—
D, d	Front door hinge installation nut-lower	M8 (0.31)	L, l	Front door lock striker installation nut-upper	M8 (0.31)
E, e	Front body pillar assembly mark	—	M, m	Rear door hinge installation nut-upper	M8 (0.31)
F, f	Front body pillar assembly mark	—	N, n	Rear door hinge installation nut-front	M8 (0.31)
G, g	Rocker panel assembly mark	—	Q, q	Rocker panel assembly mark	—
H, h	Rocker panel assembly mark	—	—	—	—

**BODY OPENING AREAS (Side View: Rear)**

(Three-Dimensional Distance)



Vehicle Dimensions

O - o	P - p	Q - q	R - r	S - s	T - t	U - u
1,285 (50.59)	1,461 (57.52)	1,492 (58.74)	1,103 (43.43)	1,131 (44.53)	1,490 (58.66)	1,524 (60.00)

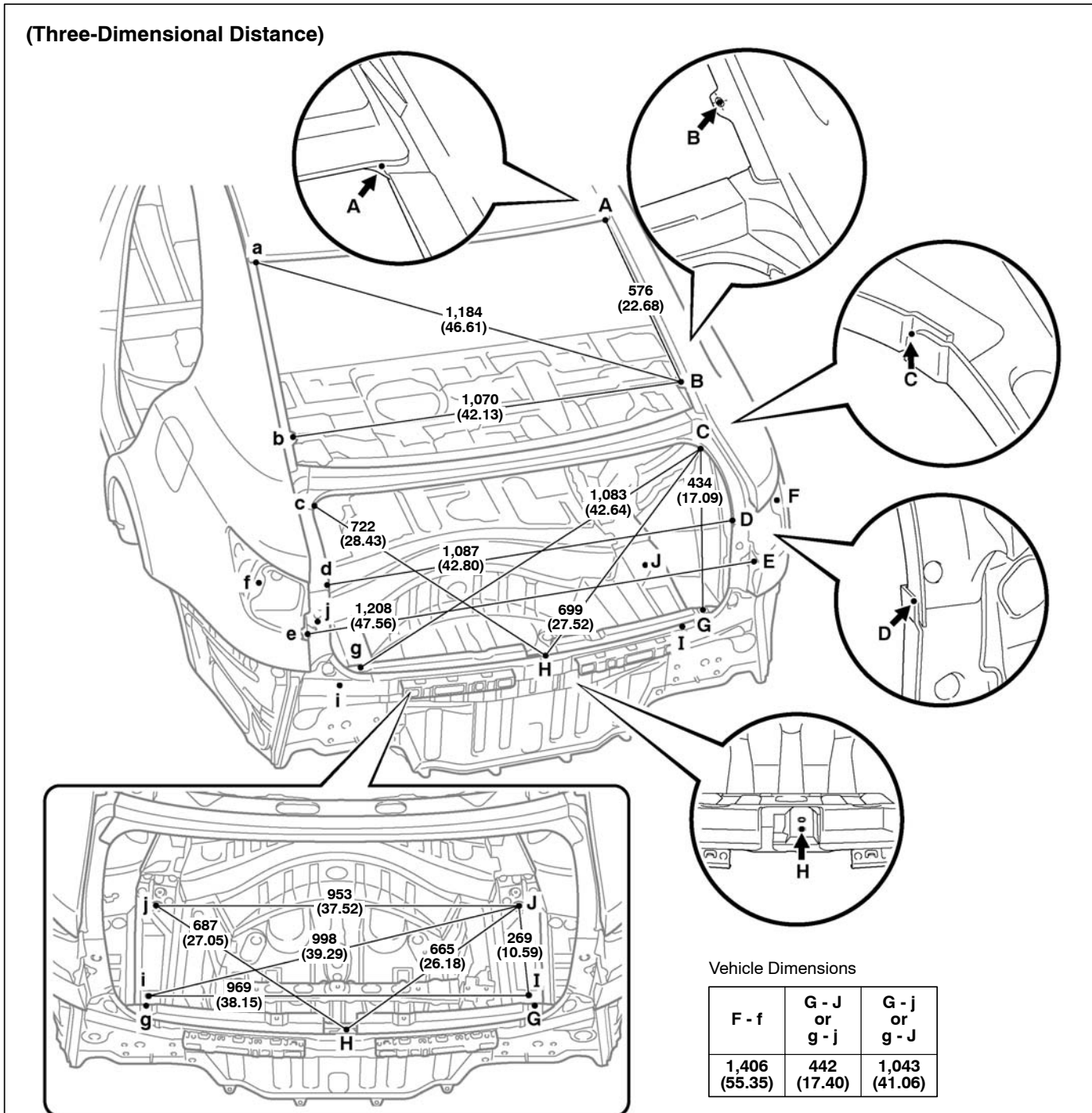
O - q or o - Q	O - s or o - S	O - t or o - T	P - s or p - S	P - t or p - T	Q - r or q - R	S - t or s - T	S - T or s - t	N - U or n - u
1,597 (62.87)	1,317 (51.85)	1,580 (62.20)	1,557 (61.30)	1,582 (62.28)	1,609 (63.35)	1,468 (57.80)	686 (27.01)	1,061 (41.77)

HINT: For symbols, capital letters indicate right side of vehicle, small letters indicate left side of vehicle (seen from rear).

mm (in.)

Symbol	Name	Hole dia.	Symbol	Name	Hole dia.
M, m	Rear door hinge installation nut-upper	M8 (0.31)	R, r	Roof side rail assembly mark	—
N, n	Rear door hinge installation nut-front	M8 (0.31)	S, s	Quarter panel assembly mark	—
O, o	Center body pillar assembly mark	—	T, t	Quarter panel assembly mark	—
P, p	Center body pillar assembly mark	—	U, u	Rear door lock striker installation nut-upper	M8 (0.31)
Q, q	Rocker panel assembly mark	—	—	—	—

## BODY OPENING AREAS (Rear View)



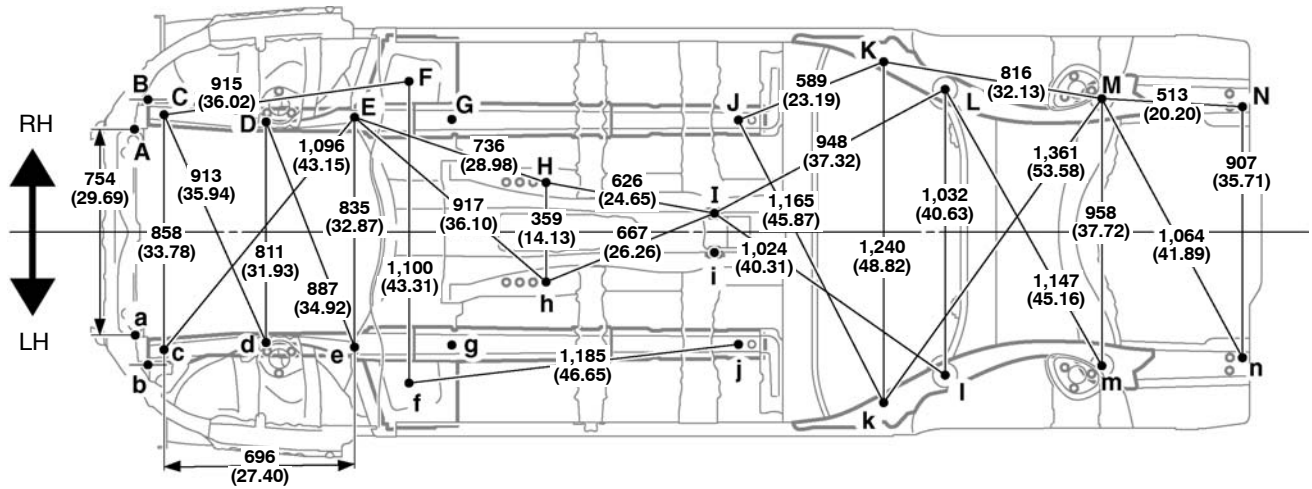
HINT: For symbols, capital letters indicate right side of vehicle, small letters indicate left side of vehicle (seen from rear).

mm (in.)

Symbol	Name	Hole dia.	Symbol	Name	Hole dia.
A, a	Roof panel/Quarter panel adjoining portion	—	F, f	Quarter panel standard hole	ø13 (0.51)
B, b	Quarter panel standard hole	12 x 10 (0.47 x 0.39)	G, g	Luggage compartment trim cover installation hole	ø8.5 (0.33)
C, c	Upper back panel/Luggage compartment opening trough adjoining portion	—	H	Luggage door lock striker installation nut	M10 (0.39)
D, d	Luggage compartment opening trough adjoining portion	—	I, i	Rear floor side member standard hole	ø18 (0.71)
E, e	Luggage room box side cover installation hole	ø6 (0.24)	J, j	Rear floor side member standard hole	ø18 (0.71)

UNDER BODY

(Three-Dimensional Distance)

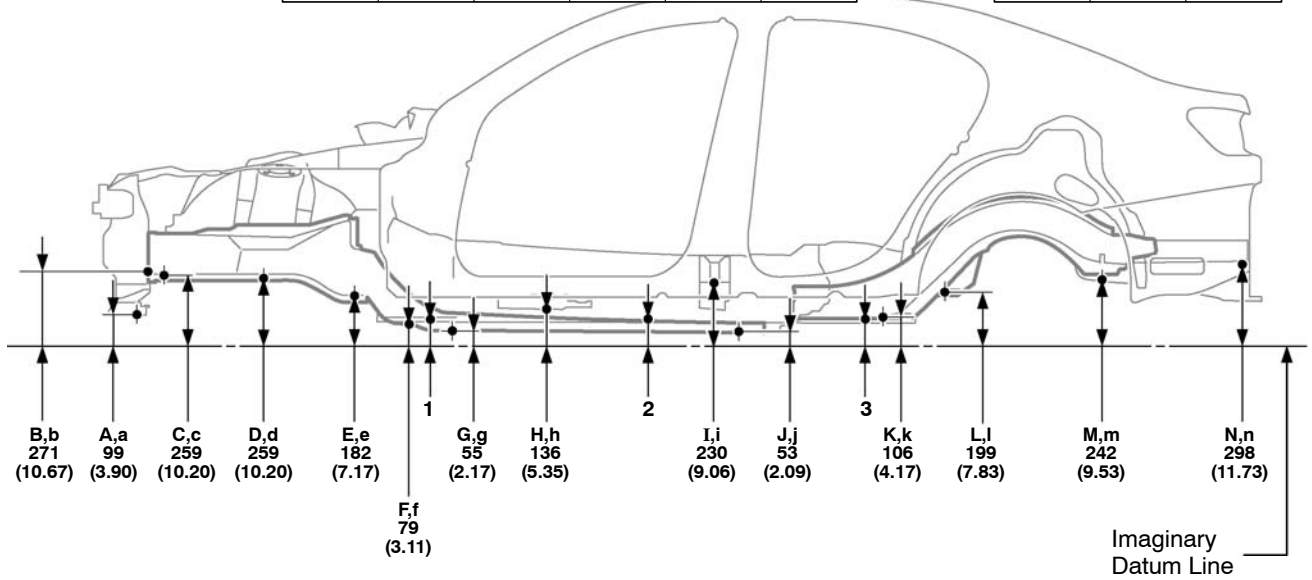


Vehicle Dimensions

Front ←

B - b	C - f or c - F	E - G or e - g	E - g or e - G	F - j or f - J	G - g
970 (38.19)	1,335 (52.56)	376 (14.80)	909 (35.79)	1,516 (59.68)	820 (32.28)

1	2	3
100 (3.94)	100 (3.94)	100 (3.94)

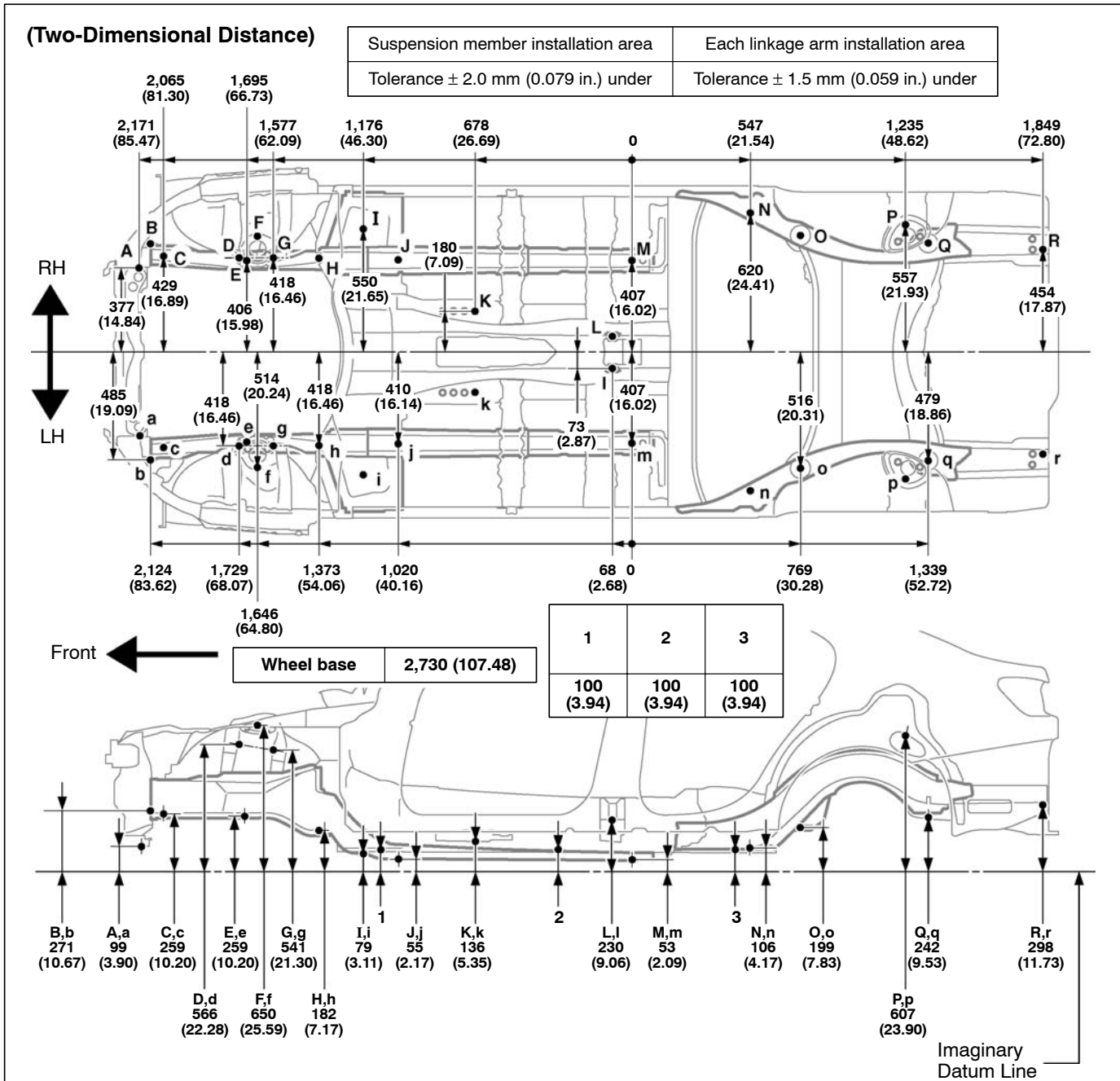


HINT: For symbols, capital letters indicate right side of vehicle, small letters indicate left side of vehicle (seen from rear).

mm (in.)

Symbol	Name	Hole dia.	Symbol	Name	Hole dia.
A, a	Front cross member reinforcement standard hole	ø10 (0.39)	H, h	Engine rear mounting member installation nut	M10 (0.39)
B, b	Front bumper mounting reinforcement installation nut	M10 (0.39)	I, i	Propeller shaft center support bearing installation nut	M10 (0.39)
C, c	Front side member standard hole	ø18 (0.71)	J, j	Front floor under reinforcement standard hole	ø15 (0.59)
D, d	Front suspension member installation nut-front	M14 (0.55)	K, k	Rear floor side member standard hole	ø18 (0.71)
E, e	Front suspension member installation nut-rear	M16 (0.63)	L, l	Rear suspension member installation nut-front	M14 (0.55)
F, f	Torque box standard hole	ø25 (0.98)	M, m	Rear suspension member installation nut-rear	M14 (0.55)
G, g	Front side member standard hole	ø25 (0.98)	N, n	Muffler support bracket installation hole	M12 (0.47)

UNDER BODY



HINT: For symbols, capital letters indicate right side of vehicle, small letters indicate left side of vehicle (seen from rear).

mm (in.)

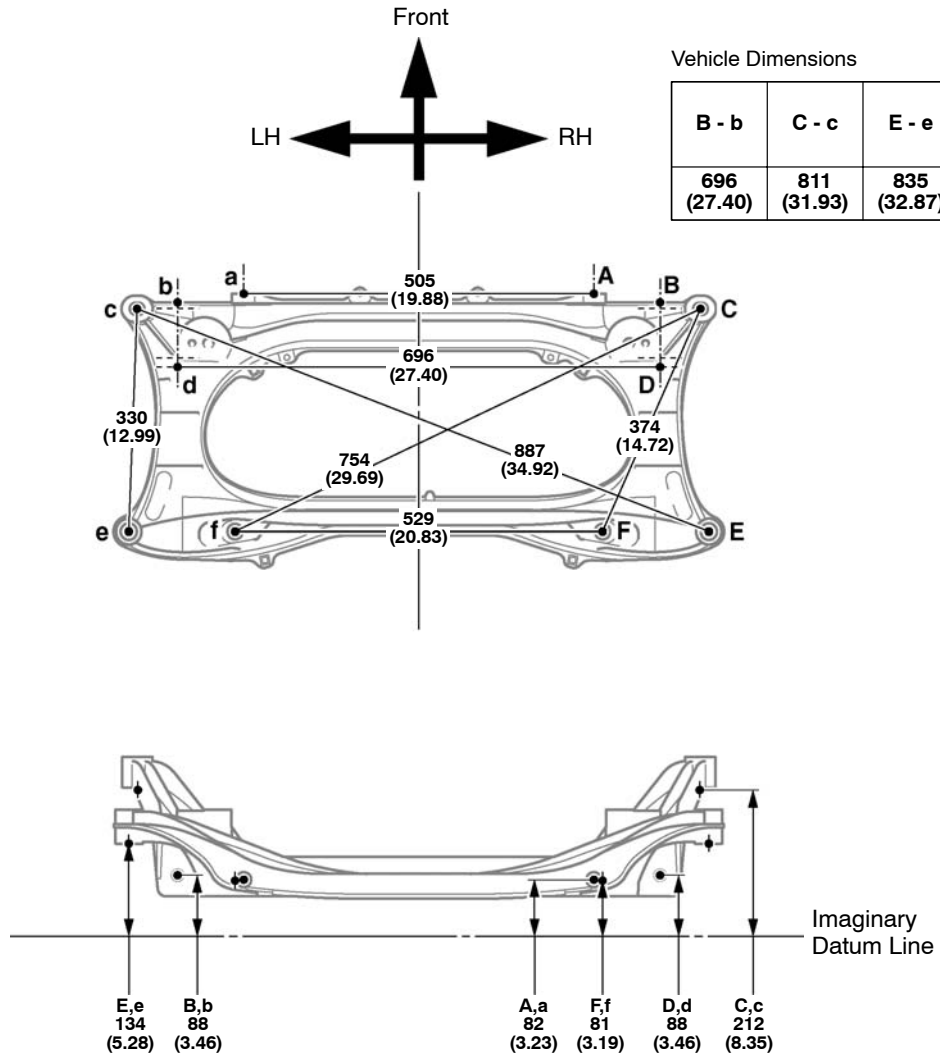
Symbol	Name	Hole dia.	Symbol	Name	Hole dia.
A, a	Front cross member reinforcement standard hole	ø10 (0.39)	J, j	Front side member standard hole	ø25 (0.98)
B, b	Front bumper mounting reinforcement installation nut	M10 (0.39)	K, k	Engine rear mounting member installation nut	M10 (0.39)
C, c	Front side member standard hole	ø18 (0.71)	L, l	Propeller shaft center support bearing installation nut	M10 (0.39)
D, d	Front suspension upper arm installation hole-front	ø14 (0.55)	M, m	Front floor under reinforcement standard hol	ø15 (0.59)
E, e	rear	M14 (0.55)	N, n	Rear floor side member standard hole	ø18 (0.71)
F, f	Front suspension member installation nut-front	ø13 (0.51)	O, o	Rear suspension member installation nut-front	M14 (0.55)
G, g	Front suspension support installation hole	ø14 (0.55)	P, p	Rear suspension support installation hole	ø11 (0.43)
H, h	Front suspension upper arm installation hole-rear	M16 (0.63)	Q, q	Rear suspension member installation nut-rear	M14 (0.55)
I, i	front	ø25 (0.98)	R, r	Muffler support bracket installation hole	M12 (0.47)

Front suspension member installation nut-rear

Torque box standard hole

FRONT SUSPENSION CROSSMEMBER

(Three-Dimensional Distance)



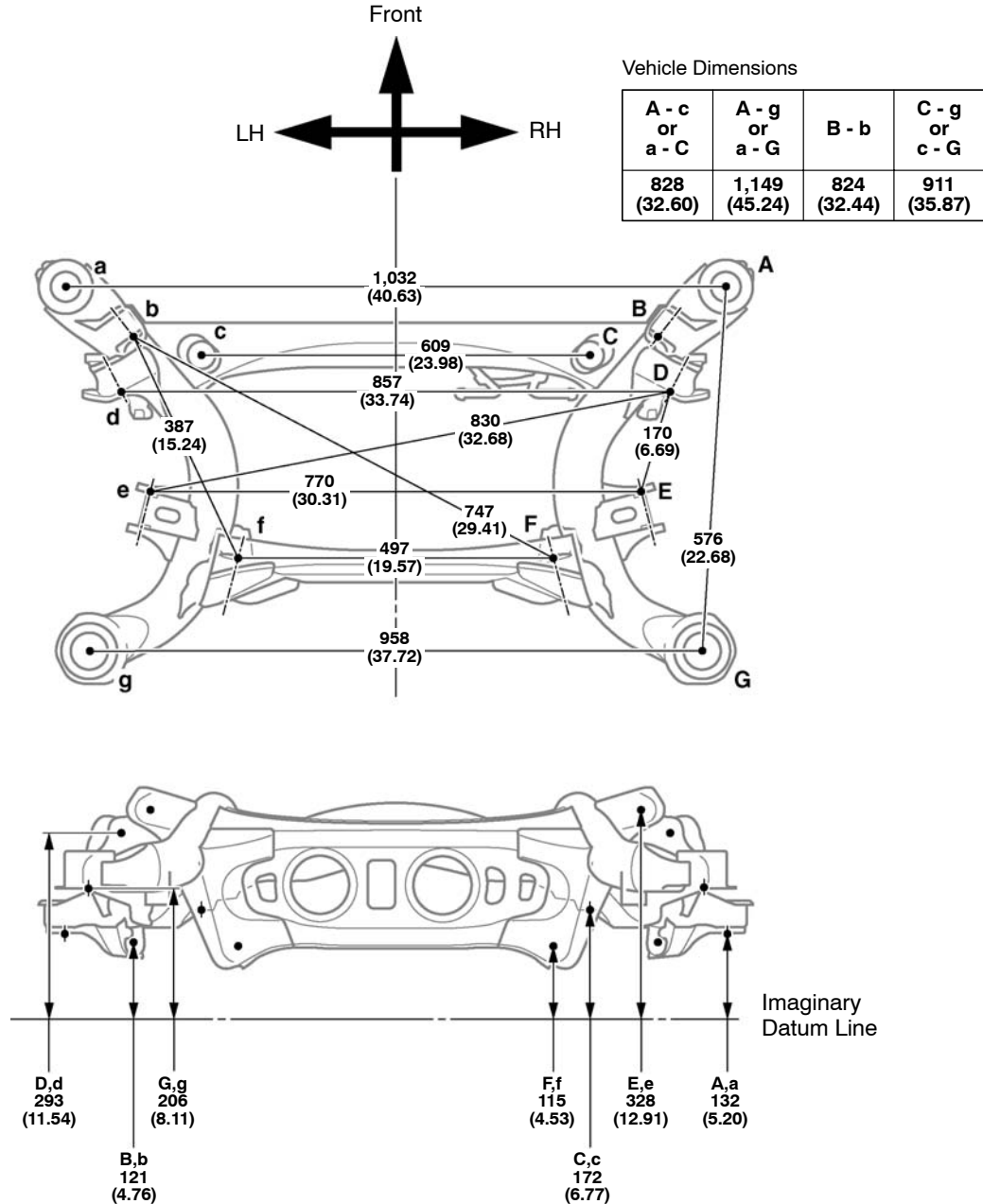
HINT: For symbols, capital letters indicate right side of vehicle, small letters indicate left side of vehicle (seen from rear).

mm (in.)

Symbol	Name	Hole dia.	Symbol	Name	Hole dia.
A, a	Power steering installation hole	ø14.5 (0.57)	D, d	Front suspension lower arm installation hole	ø14.5 (0.57)
B, b	Front suspension lower arm installation hole	ø22 (0.87)	E, e	Front suspension crossmember installation	ø27 (1.06)
C, c	Front suspension crossmember installation	RH: ø17.5 (0.69) LH: 22 x 17.5 (0.87 x 0.69)	F, f	hole-lower	ø12.3 (0.48)
			—	Front suspension lower arm installation hole	—

## REAR SUSPENSION CROSSMEMBER

(Three-Dimensional Distance)



HINT: For symbols, capital letters indicate right side of vehicle, small letters indicate left side of vehicle (seen from rear).

mm (in.)

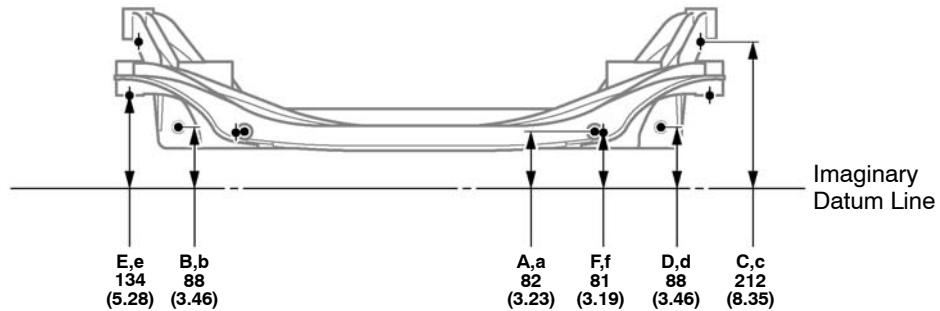
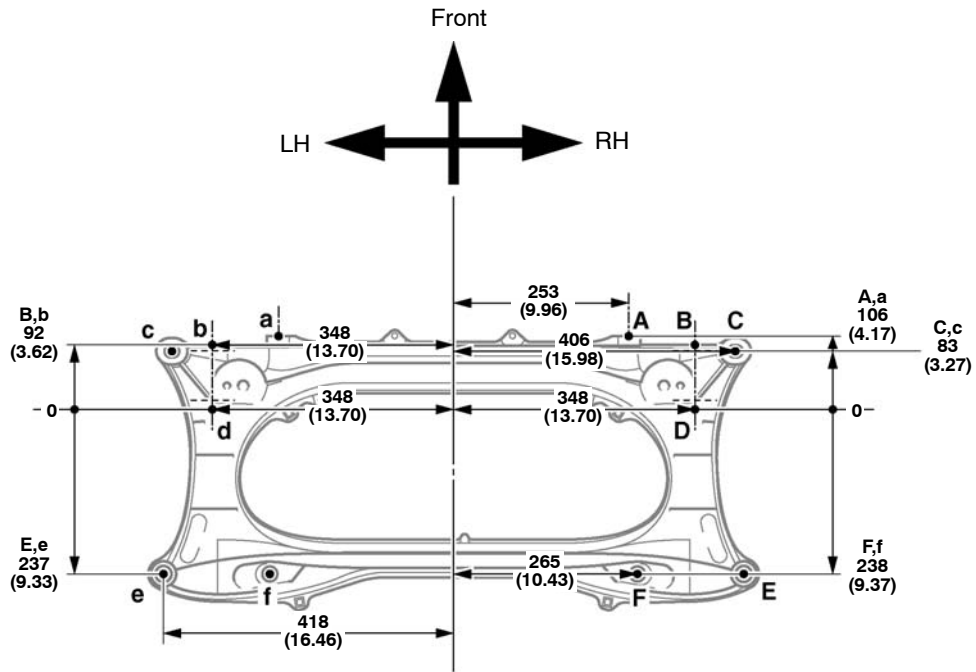
Symbol	Name	Hole dia.	Symbol	Name	Hole dia.
A, a	Rear suspension member installation hole	ø59.6 (2.35)	E, e	Rear suspension upper arm installation hole-front	ø14.2 (0.56)
B, b	Rear suspension lower arm installation hole-rear	ø12.2 (0.48)	F, f	Rear suspension No. 2 lower arm installation hole-front	ø14.2 (0.56)
C, c	Rear suspension member standard hole	ø15 (0.59)	G, g	Rear suspension member installation hole	ø77.6 (3.06)
D, d	Rear suspension upper arm installation hole-rear	ø14.2 (0.56)	—	—	—



FRONT SUSPENSION CROSSMEMBER

(Two-Dimensional Distance)

Suspension member installation area	Each linkage arm installation area
Tolerance ± 2.0 mm (0.079 in.) under	Tolerance ± 1.5 mm (0.059 in.) under



HINT: For symbols, capital letters indicate right side of vehicle, small letters indicate left side of vehicle (seen from rear).

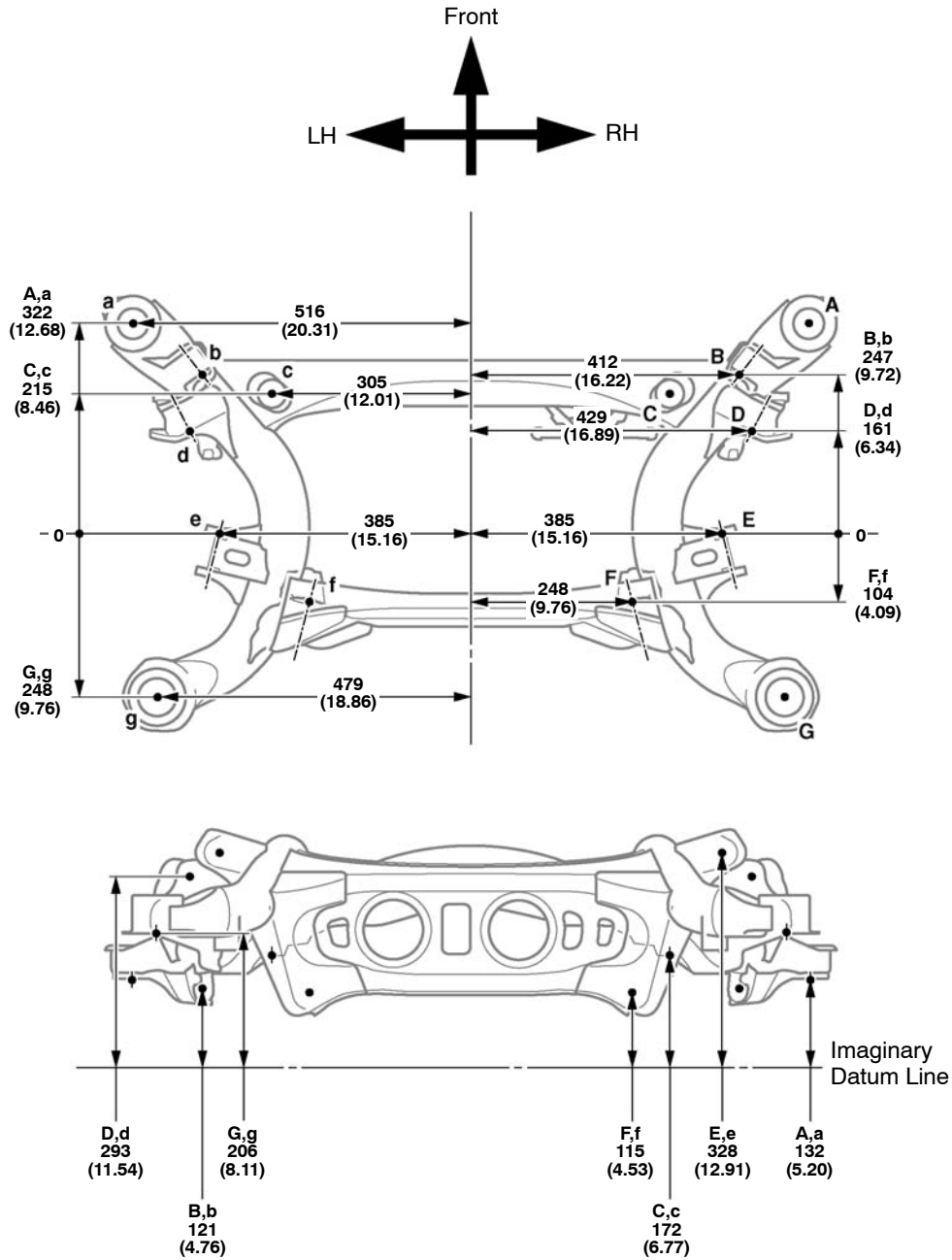
mm (in.)

Symbol	Name	Hole dia.	Symbol	Name	Hole dia.
A, a	Power steering installation hole	ø14.5 (0.57)	D, d	Front suspension lower arm installation hole	ø14.5 (0.57)
B, b	Front suspension lower arm installation hole	ø22 (0.87)	E, e	Front suspension crossmember installation	ø27 (1.06)
C, c	Front suspension crossmember installation hole-lower	RH: ø17.5 (0.69) LH: 22 x 75 (0.87 x 0.69)	F, f	hole-lower	ø12.3 (0.48)
			—	Front suspension lower arm installation hole	—

## REAR SUSPENSION CROSSMEMBER

(Two-Dimensional Distance)

Suspension member installation area	Each linkage arm installation area
Tolerance $\pm 2.0$ mm (0.079 in.) under	Tolerance $\pm 1.5$ mm (0.059 in.) under



HINT: For symbols, capital letters indicate right side of vehicle, small letters indicate left side of vehicle (seen from rear).

mm (in.)

Symbol	Name	Hole dia.	Symbol	Name	Hole dia.
A, a	Rear suspension member installation hole	$\phi 59.6$ (2.35)	E, e	Rear suspension upper arm installation hole-front	$\phi 4.2$ (0.56)
B, b	Rear suspension lower arm installation hole-rear	$\phi 12.2$ (0.48)	F, f	Rear suspension No. 2 lower arm installation hole-front	$\phi 14.2$ (0.56)
C, c	Rear suspension member standard hole	$\phi 15$ (0.59)	G, g	Rear suspension member installation hole	$\phi 77.6$ (3.06)
D, d	Rear suspension upper arm installation hole-rear	$\phi 14.2$ (0.56)	—	—	—