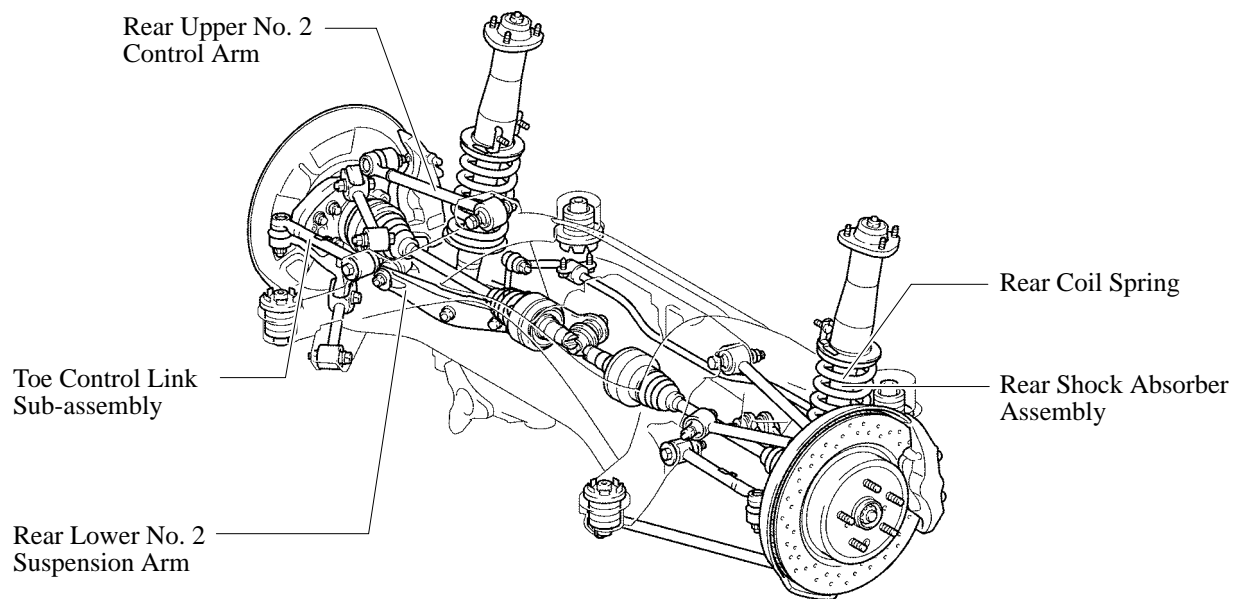


NEW FEATURES

■ SUSPENSION

1. Major Difference

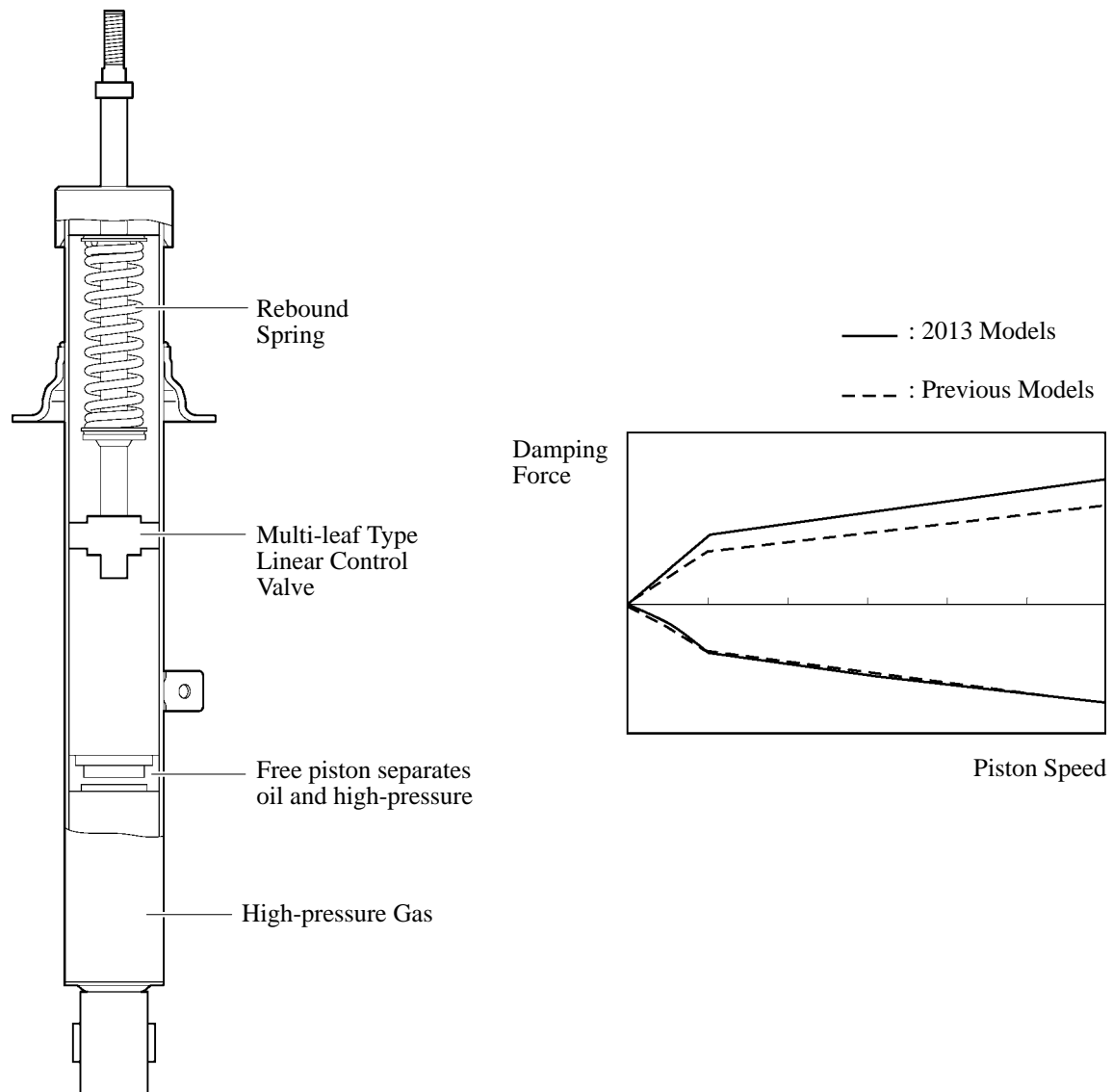
- The following parts have been changed ensuring vehicle stability and response while steering.
 - Front and Rear Shock Absorber Assembly
 - Front and Rear Coil Spring
- The characteristics of the bushes used on the following rear suspension arm components have been changed, ensuring vehicle stability.
 - Rear Upper No. 2 Control Arm
 - Toe Control Link Sub-assembly
 - Rear Lower No. 2 Suspension Arm



2. Front Shock Absorber Assembly

The front shock absorber assembly has been changed as follows:

- The spring constant of the rebound spring has been changed to realize a smooth rebound stroke and vehicle stability while cornering.
- The damping force has been changed to restrain vehicle movement during a rebound stroke.



3. Rear Shock Absorber Assembly

The rear shock absorber assembly has been changed as follows:

- The rebound spring has been discontinued to realize a smooth rebound stroke and vehicle stability while cornering.
- The damping force has been changed to restrain vehicle movement during a rebound stroke.

