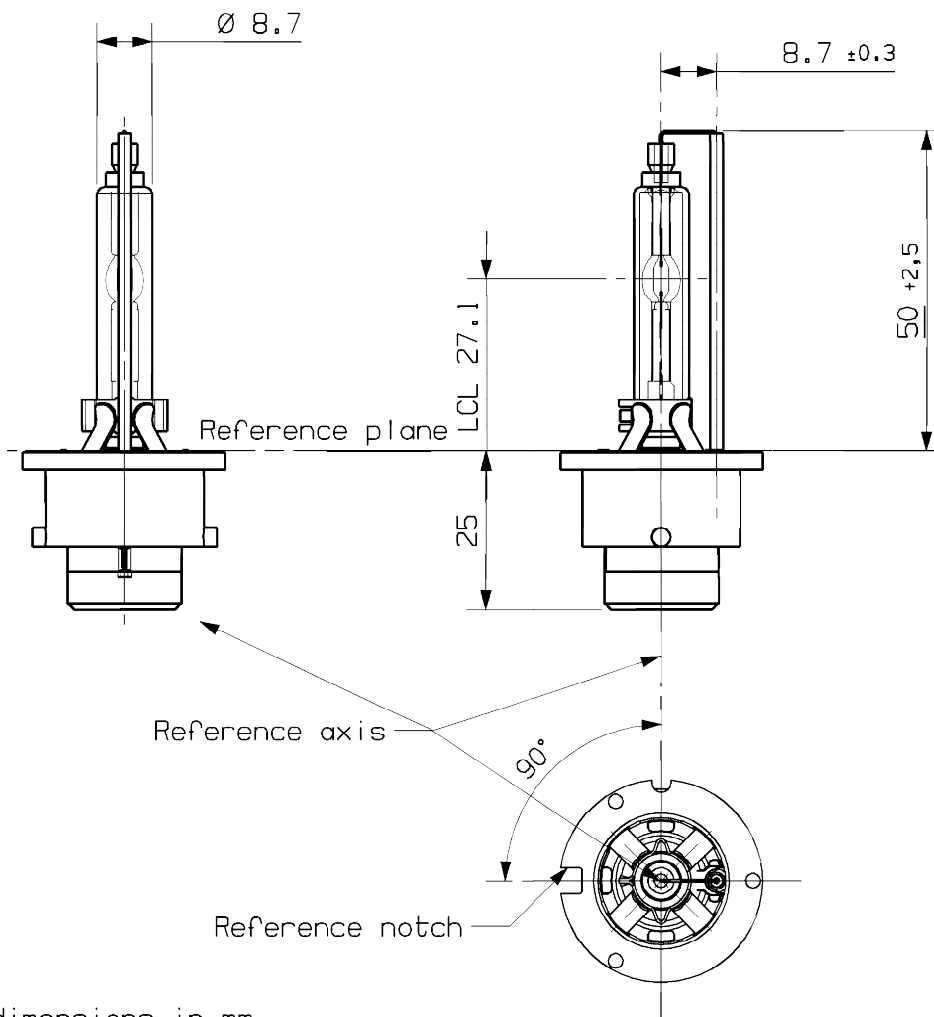


D4S 42V 35W XenEco



All dimensions in mm

Xenon Bulb	
D4S 42V 35W XenEco	
Cap: ¹⁾	P32d-5
Type:	42402
ECE R99	E4 0A5
DOT	none
Code No.	9285 321 244..

Made in Germany, Aachen

1) according to IEC 61-1 sheet 7004-111-2

© Koninklijke PHILIPS Electronics N.V.. All rights are reserved.
Reproduction in whole or in parts is prohibited without the written consent of the copyright owner.

Technical data	R99
Test voltage	44,0 V
Power	35 W ± 0,3 W
Ignition Voltage	23 KV max.
Luminous flux	3050 lm ± 250 lm
Maintenance at 1500h	75 %
Colour Temperature:	4100 K
Colour:	0,378 x 0,384 y

Rated life at	44,0 V
- characteristic Tc	2500 h min.
- B3	1500 h min.

Maximum operating temperature:	700 °C max. bulb 400 °C max. pinch
Operating position:	horizontal