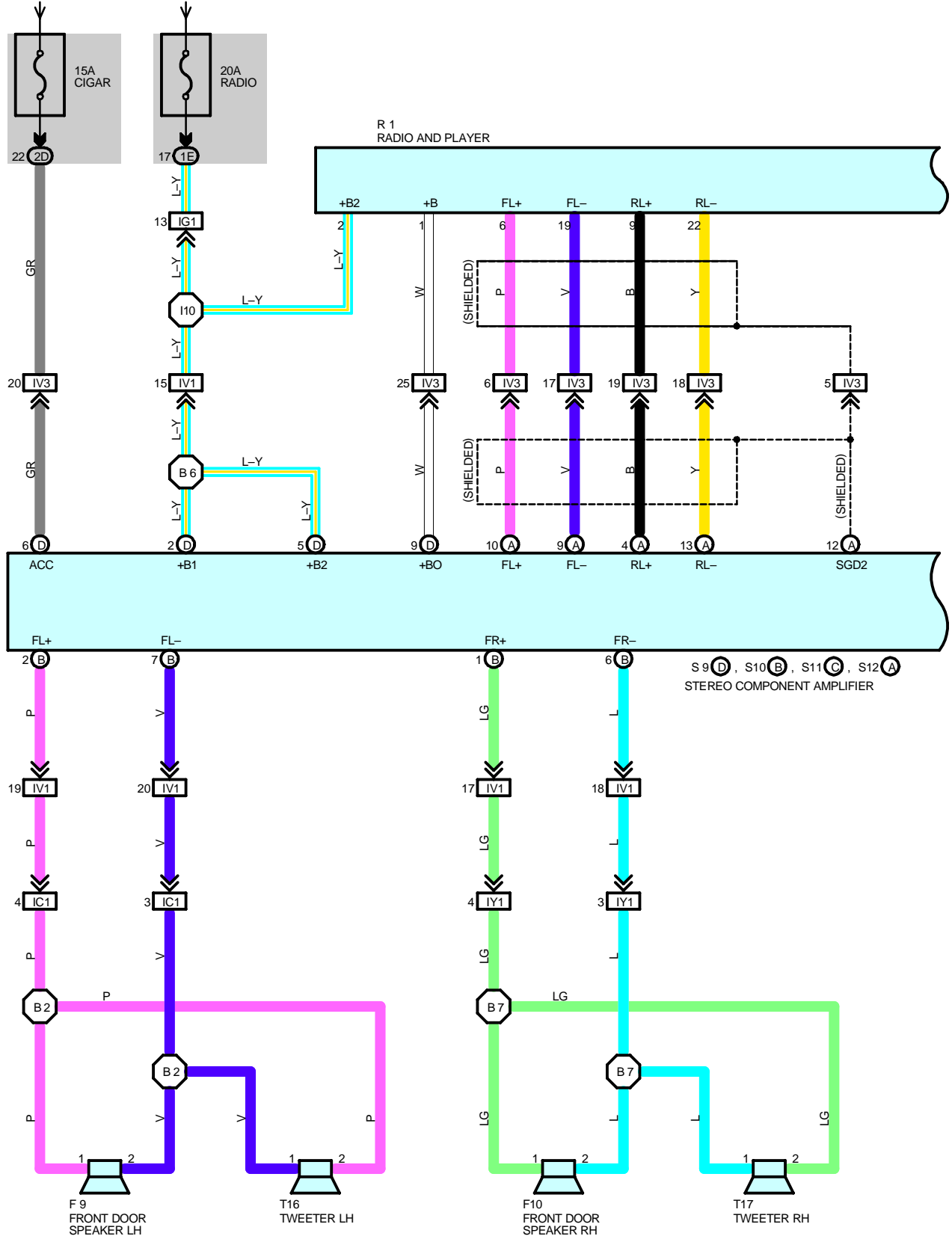
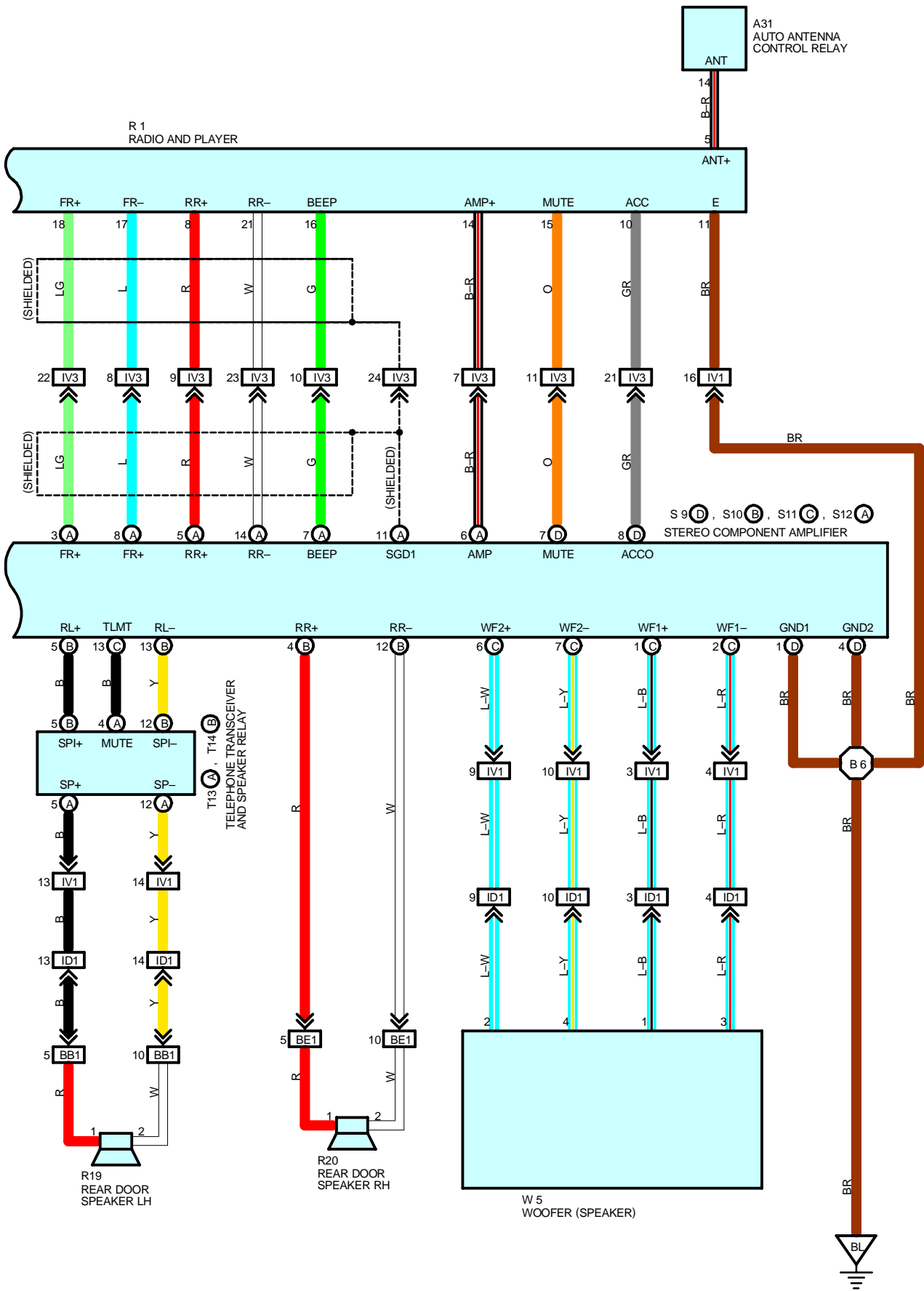


# RADIO AND PLAYER

FROM POWER SOURCE SYSTEM (SEE PAGE 62)





# RADIO AND PLAYER

## SERVICE HINTS

### R1 RADIO AND PLAYER

2-GROUND : Always approx. 12 volts

11-GROUND : Always continuity

### S9 STEREO COMPONENT AMPLIFIER

6-GROUND : Approx. 12 volts with ignition SW at ACC or ON position

2,5-GROUND : Always approx. 12 volts

1,4-GROUND : Always continuity

## ○ : PARTS LOCATION

| Code | See Page | Code | See Page | Code | See Page |
|------|----------|------|----------|------|----------|
| A31  | 38       | R20  | 41       | T13  | A 41     |
| F9   | 40       | S9   | D 41     | T14  | B 41     |
| F10  | 40       | S10  | B 41     | T16  | 41       |
| R1   | 39       | S11  | C 41     | T17  | 41       |
| R19  | 41       | S12  | A 41     | W5   | 41       |

## ○ : JUNCTION BLOCK AND WIRE HARNESS CONNECTOR

| Code | See Page | Junction Block and Wire Harness (Connector Location)                |
|------|----------|---|
| 1E   | 21       | Engine Room No.2 Wire and Engine Room J/B (Engine Compartment Left) |
| 2D   | 24       | Dash Wire and Cowl Side J/B LH (Left Kick Panel)                    |

## □ : CONNECTOR JOINING WIRE HARNESS AND WIRE HARNESS

| Code | See Page | Joining Wire Harness and Wire Harness (Connector Location)          |
|------|----------|---|
| IC1  | 46       | Front Door LH Wire and Dash Wire (Left Kick Panel)                  |
| ID1  | 46       | Dash Wire and Floor Wire (Left Kick Panel)                          |
| IG1  | 48       | Engine Room No.2 Wire and Dash Wire (Behind the Combination Meter)  |
| IV1  | 52       | Dash Wire and Floor No.2 Wire (Behind the Glove Box)                |
| IV3  |          |   |
| IY1  | 52       | Front Door RH Wire and Dash Wire (Right Kick Panel)                 |
| BB1  | 54       | Rear Door LH Wire and Floor Wire (Left Side of Center Pillar)       |
| BE1  | 54       | Rear Door RH Wire and Floor No.2 Wire (Right Side of Center Pillar) |

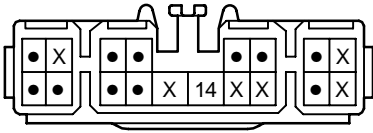
## ▽ : GROUND POINTS

| Code | See Page | Ground Points Location                     |
|------|----------|--|
| BL   | 54       | Rear Side Under the Front Passenger's Seat |

## ○ : SPLICE POINTS

| Code | See Page | Wire Harness with Splice Points | Code | See Page | Wire Harness with Splice Points |
|------|----------|---------------------------------|------|----------|---------------------------------|
| I10  | 48       | Dash Wire                       | B6   | 56       | Floor No.2 Wire                 |
| B2   | 56       | Front Door LH Wire              | B7   | 56       | Front Door RH Wire              |

A31



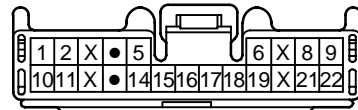
F9



F10



R1



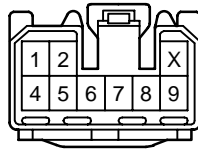
R19



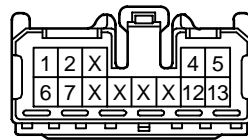
R20



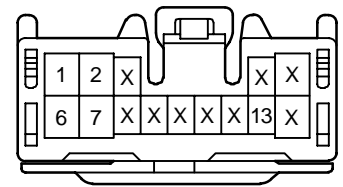
S9 (D)  
ORANGE



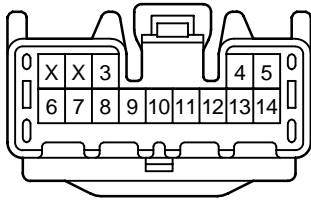
S10 (B)



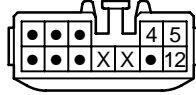
S11 (C)  
GRAY



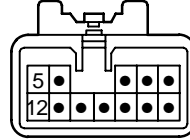
S12 (A)



T13 (A)



T14 (B)



T16



T17



W5

