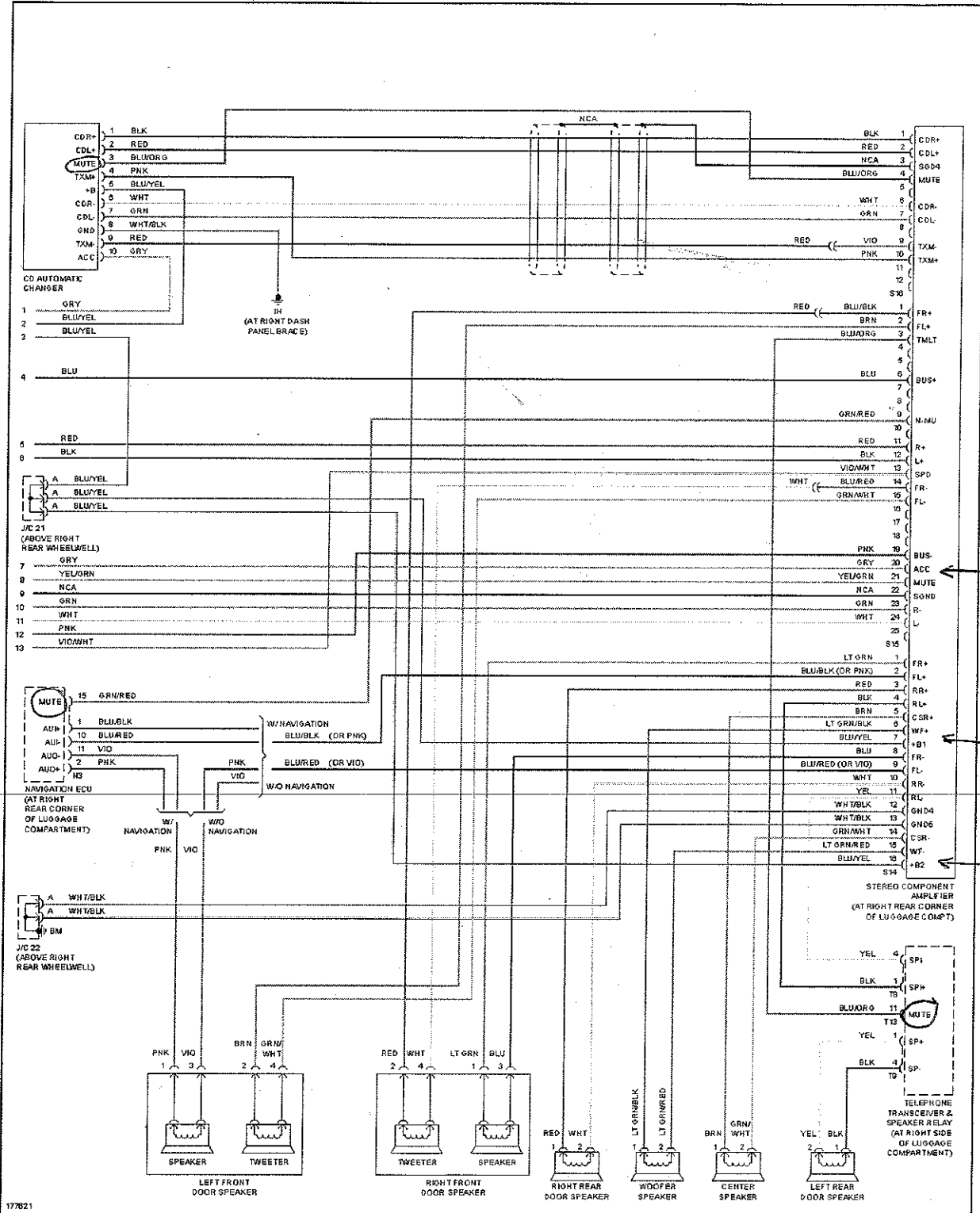


2003 Lexus GS 430

SYSTEM WIRING DIAGRAMS

Fig. 56: Radio Circuit, W/ Mark Levinson (2 of 2)



177821

2003 Lexus GS 430

SYSTEM WIRING DIAGRAMS

Fig. 55: Radio Circuit, W/ Mark Levinson (1 of 2)

