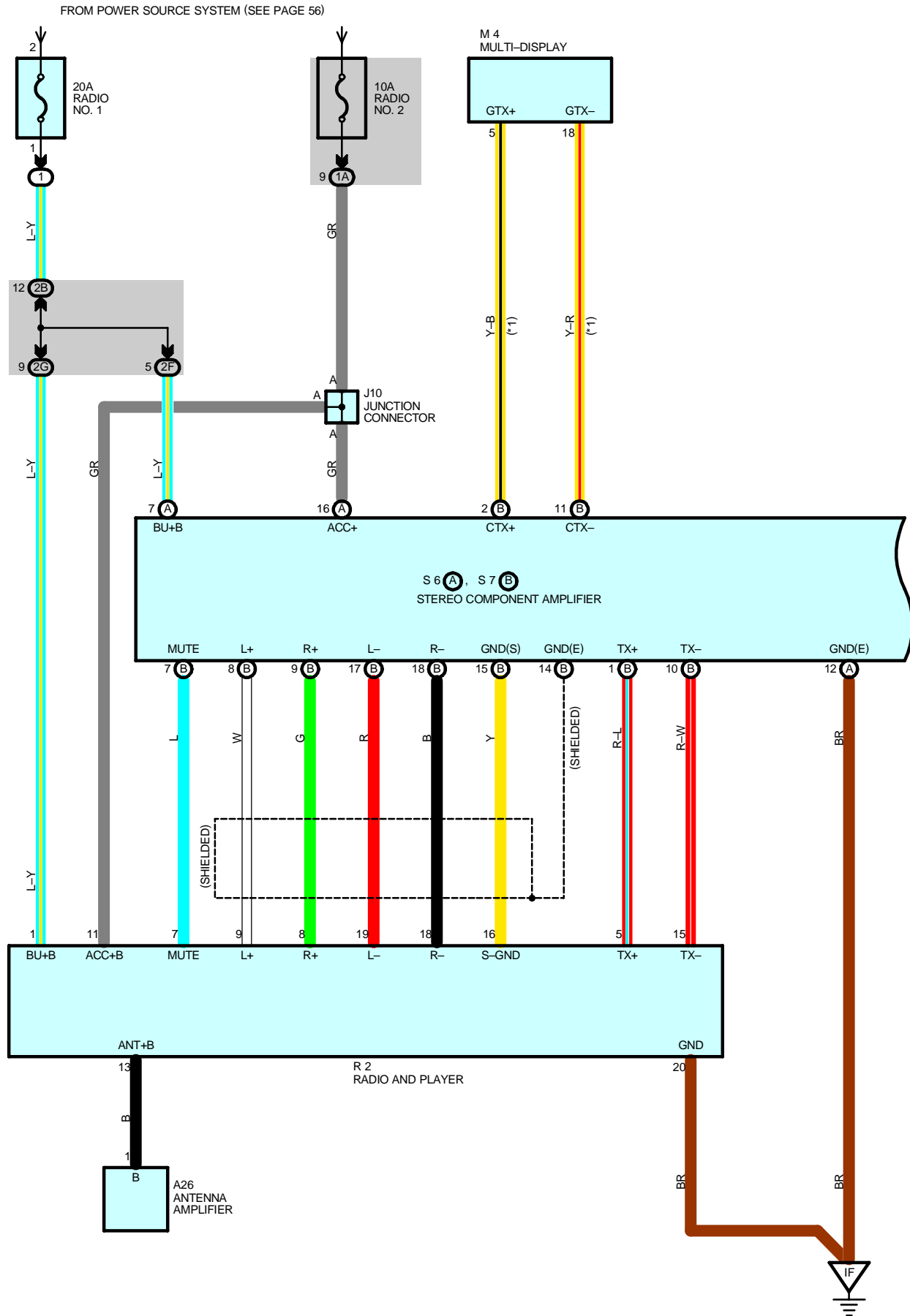
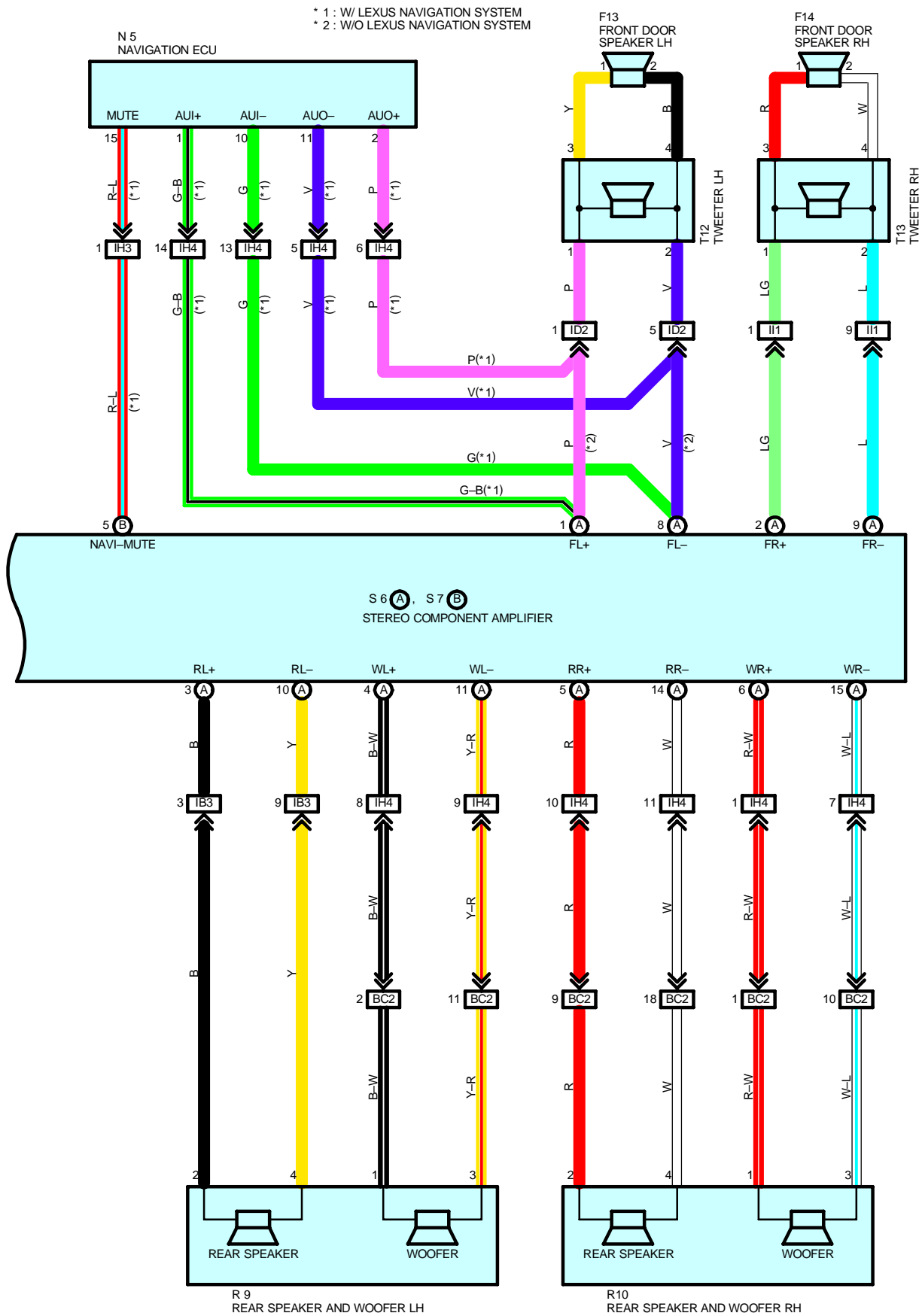


# RADIO AND PLAYER (S/D)





# RADIO AND PLAYER (S/D)

## SERVICE HINTS

### S6 (A) STEREO COMPONENT AMPLIFIER

(A)16-GROUND : Approx. **12** volts with the ignition SW at **ACC** or **ON** position

(A) 7-GROUND : Always approx. **12** volts

(A)12-GROUND : Always continuity

### R2 RADIO AND PLAYER

11-GROUND : Approx. **12** volts with the ignition SW at **ACC** or **ON** position

1-GROUND : Always approx. **12** volts

20-GROUND : Always continuity

## ○ : PARTS LOCATION

Code	See Page	Code	See Page	Code	See Page
A26	34	N5	37 (S/D)	S7   B	35
F13	36 (S/D)	R2	35	T12	37 (S/D)
F14	36 (S/D)	R9	37 (S/D)	T13	37 (S/D)
J10	35	R10	37 (S/D)		
M4	35	S6   A	35		

## ○ : RELAY BLOCKS

Code	See Page	Relay Blocks (Relay Block Location)
1	22	Engine Room No.1 R/B (Engine Compartment Right)

## ○ : JUNCTION BLOCK AND WIRE HARNESS CONNECTOR

Code	See Page	Junction Block and Wire Harness (Connector Location)
1A	24	Instrument Panel Wire and Driver Side J/B (Left Kick Panel)
2B	26	Engine Room Main Wire and Passenger Side J/B (Right Kick Panel)
2F	26	Instrument Panel Wire and Passenger Side J/B (Right Kick Panel)
2G		

## □ : CONNECTOR JOINING WIRE HARNESS AND WIRE HARNESS

Code	See Page	Joining Wire Harness and Wire Harness (Connector Location)
IB3	44	Instrument Panel Wire and Floor No.2 Wire (Near the Driver Side J/B)
ID2	44	Front Door LH Wire and Instrument Panel Wire (Left Kick Panel)
IH3	46	Instrument Panel Wire and Floor Wire (Near the Passenger Side J/B)
IH4		
II1	46	Front Door RH Wire and Instrument Panel Wire (Right Kick Panel)
BC2	48 (S/D)	Floor No.2 Wire and Floor Wire (Rear Floor Partition Panel RH)

## ▽ : GROUND POINTS

Code	See Page	Ground Points Location
IF	44	Front Floor Panel Center RH

