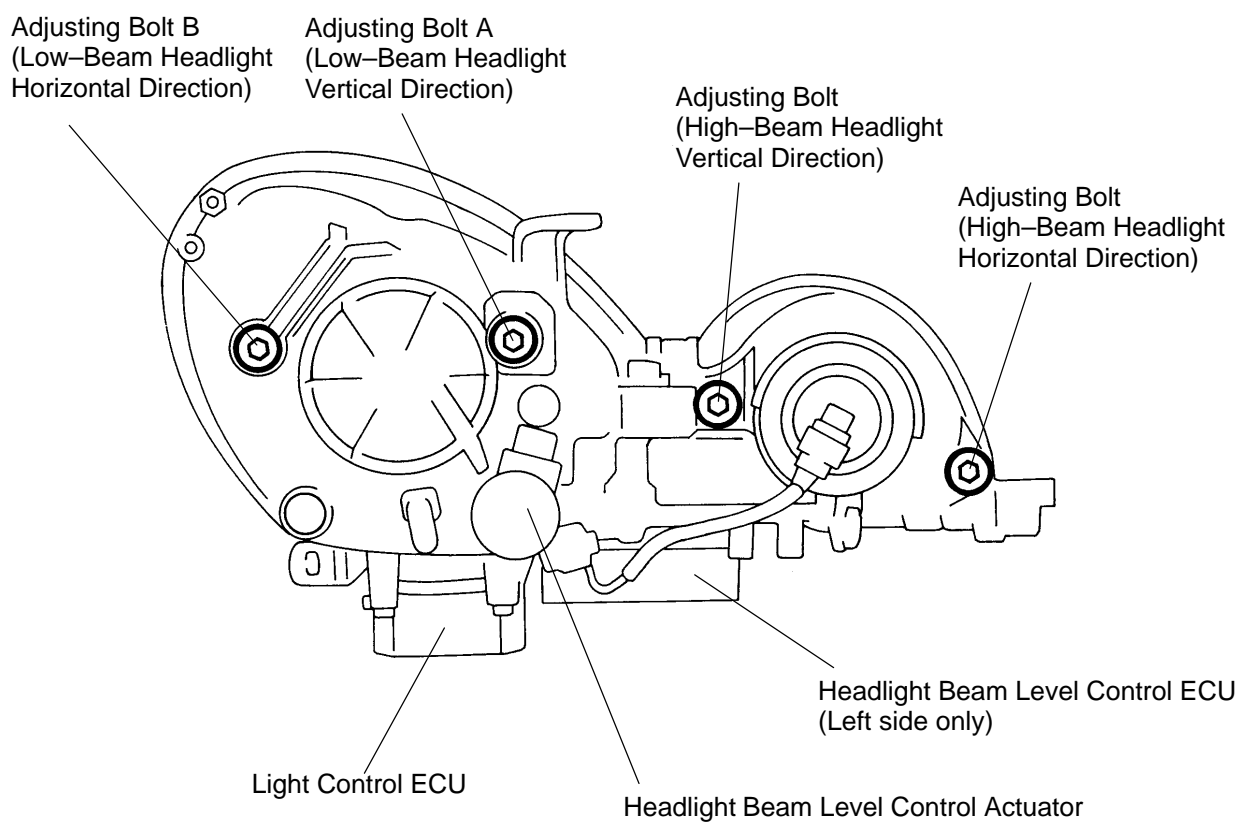
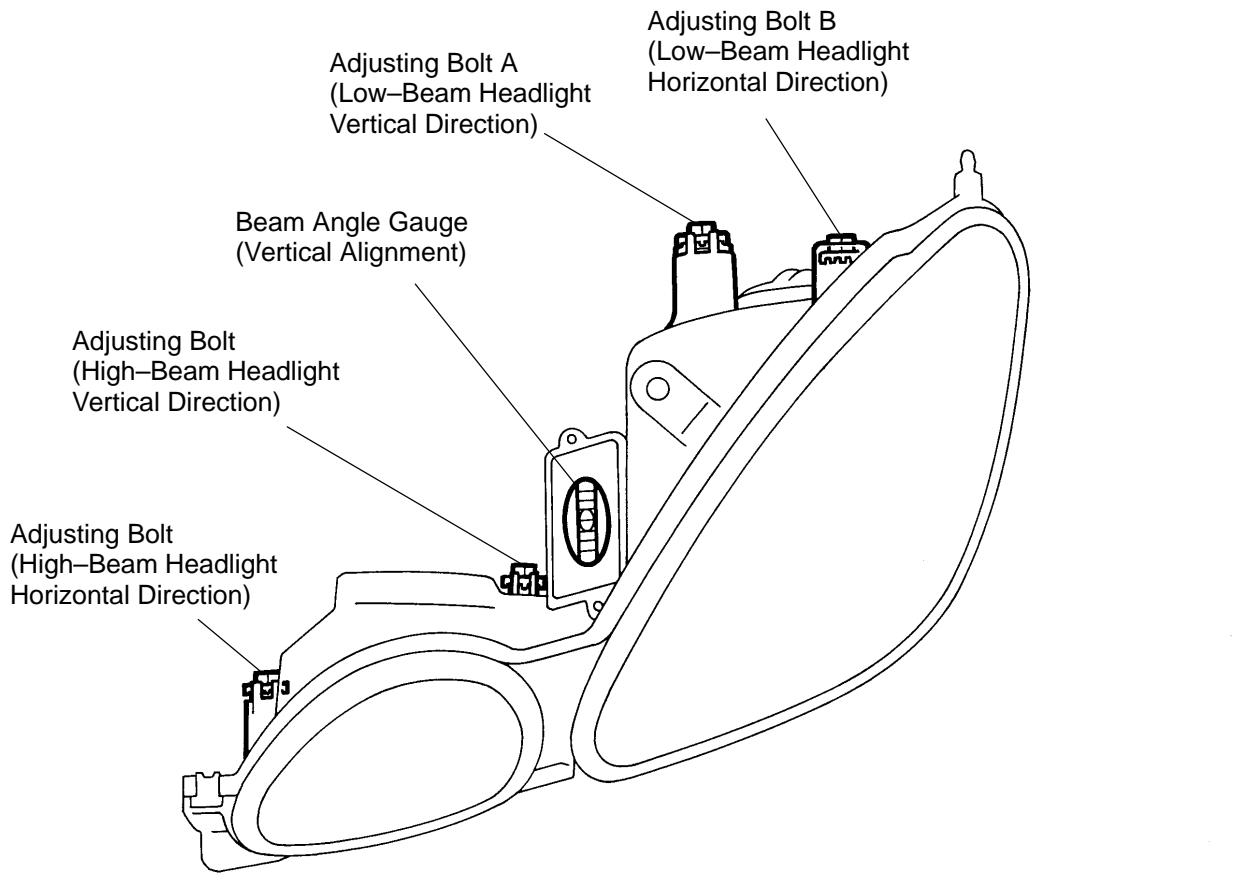


ADJUSTMENT



N

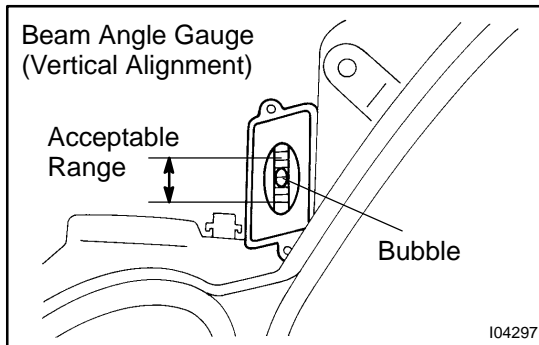
107736

1. ADJUST HEADLIGHT AIMMING

(a) Inspect the headlight aiming.

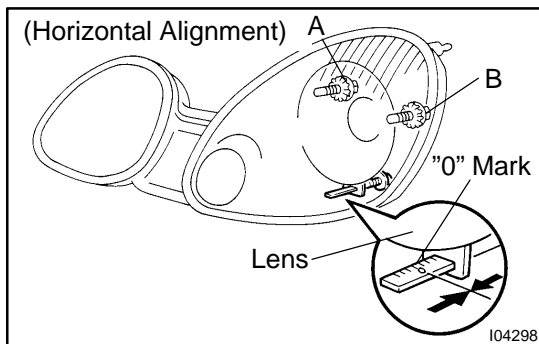
Do the following items before inspection.

- Make sure the body around the headlight is not deformed.
- Park the vehicle on a level spot.
- The driver gets into the driver's seat and puts the vehicle in a state ready for driving (with a full tank).
- Bounce the vehicle several times.



(b) Adjust the headlight aiming.

- Vertical Alignment:
If the bubble is out of the acceptable range of the beam angle gauge, adjust it using bolt A.



- Horizontal Alignment:
If the edge of the lens does not match "0" mark, adjust the lens using bolt B.

HINT:

After adjusting the headlight in vertical direction, check that the light has been shifted from the adjusted position in the horizontal direction.

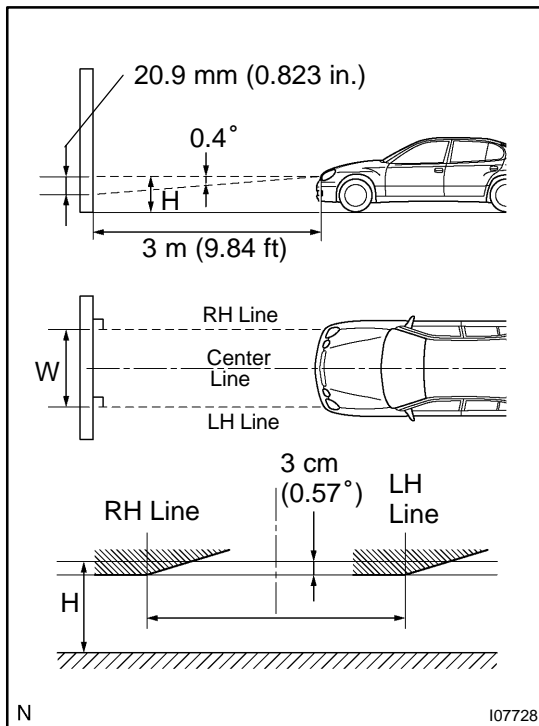
2. REPLACE HEADLIGHT

(a) Replace the headlight.

(b) Inspect the headlight aiming.

Do the following items before inspection.

- Make sure the body around the headlight is not deformed.
- Park the vehicle on a level spot.
- The driver gets into the driver's seat and puts the vehicle in a state ready for driving (with a full tank).
- Bounce the vehicle several times.



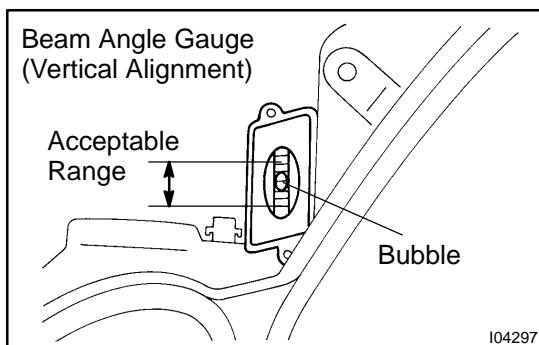
- (c) Check the headlight aiming.
- (1) Prepare the thick white colored paper.
 - (2) Stand the paper perpendicularly and ensure the distance from it to the head lights is 9.84 ft.
 - (3) Ensure that the center line of vehicle and the paper are at a 90 degree angle as shown in the illustration.
 - (4) Engine running.
 - (5) Draw a horizontal line on the paper where the head lights of the vehicle are to be.
 - (6) Draw a vertical line on the paper where the center line of the vehicle is to be. (V line)
 - (7) Take an appropriate measure to avoid affecting the other light.

NOTICE:

- **Disconnect the connector of the other light to avoid heat affection from the light because the outer lens of the head light assembly is made of synthetic resin. When connecting the connector again take care not to wake the aiming out of adjustment.**
- **When covering the headlight, finish it within 3 minutes.**
 - (8) Turn the head lights ON.
 - (9) Check that the head lights light up the paper as shown in the illustration.
 - (10) When the paper is not lighted up properly, adjust the lights in the vertical or horizontal direction.

HINT:

As shown in the illustration, adjust aiming of the LH and RH lights along each vertical line respectively.

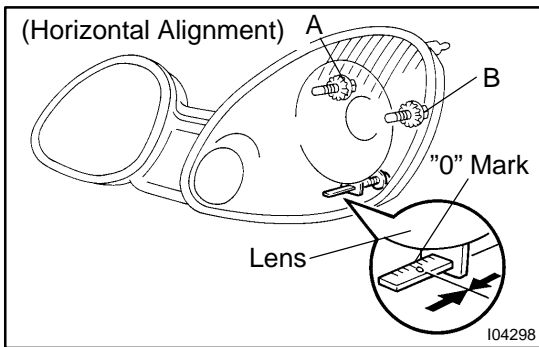


- (d) Vertical Alignment:
Adjust the headlight aiming.
- (1) Using adjustment bolt A, adjust the headlight aiming to within the specifications.
 - (2) Make sure the gauge bubble is within the acceptable range.

HINT:

If the gauge bubble is outside the acceptable range, check that the vehicle is parked on a level spot.

Readjust the headlight aiming after parking the vehicle on a level spot.



- (e) Horizontal Alignment:
Adjust the headlight aiming.
If the edge of the lens does not match the paper as shown in the illustration, adjust the lens using bolt B. (See step 5)

HINT:

After adjusting the headlight in vertical direction, check that the light has been shifted from the adjusted position in the horizontal direction.