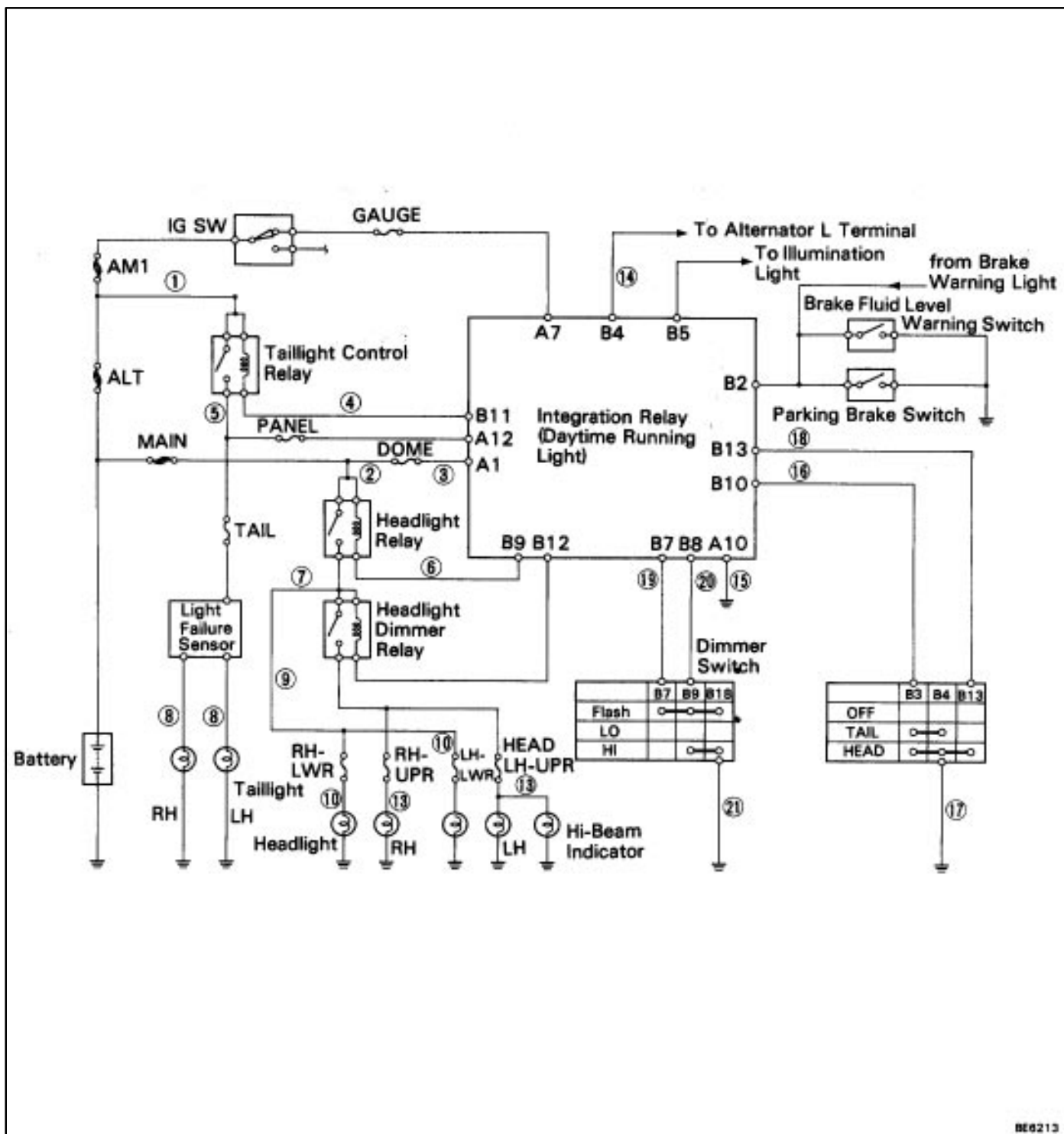


System Description

DAYTIME RUNNING LIGHT SYSTEM

The Daytime Running Light (DRL) system is activated when engine is started (However, if the parking brake lever is engaged when the engine is started, the DRL will not light up after the engine has started. Once the parking brake is released, the DRL will then light up and will remain on regardless of operation of the parking brake lever).

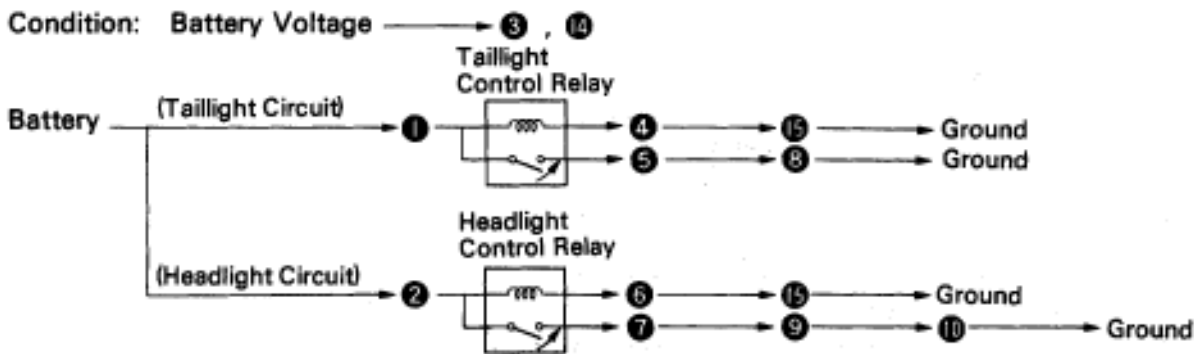
The DRL remain on until the ignition switch is turned off.



Operation example (Current flow table)

1. Daytime Running Light Lights Up

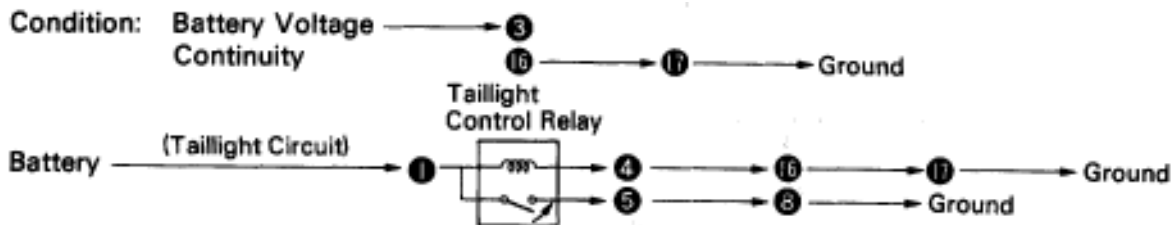
Switch	Position
Ignition switch	ON (Engine running)
Light Control Switch	OFF
Headlight Dimmer Switch	LO or HI



BE5651

2. Taillight Lights Up

Switch	Position
Ignition Switch	OFF or ON
Light Control Switch	TAIL
Headlight Dimmer Switch	LO or HI

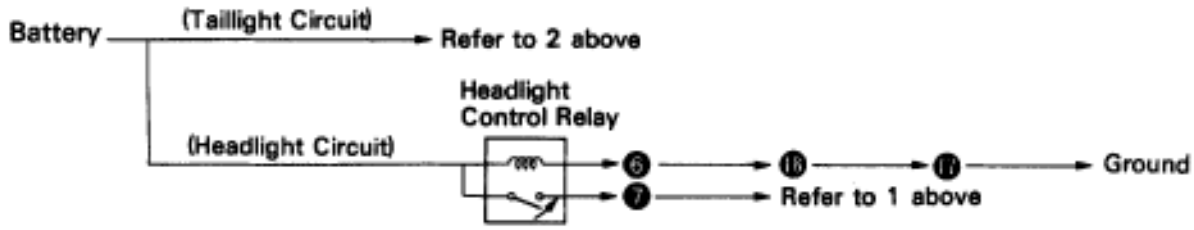


3. Headlight LO-Beam Lights Up

Switch	Position
Ignition Switch	OFF or ON
Light Control Switch	HEAD
Headlight Dimmer Switch	LO

BE5651

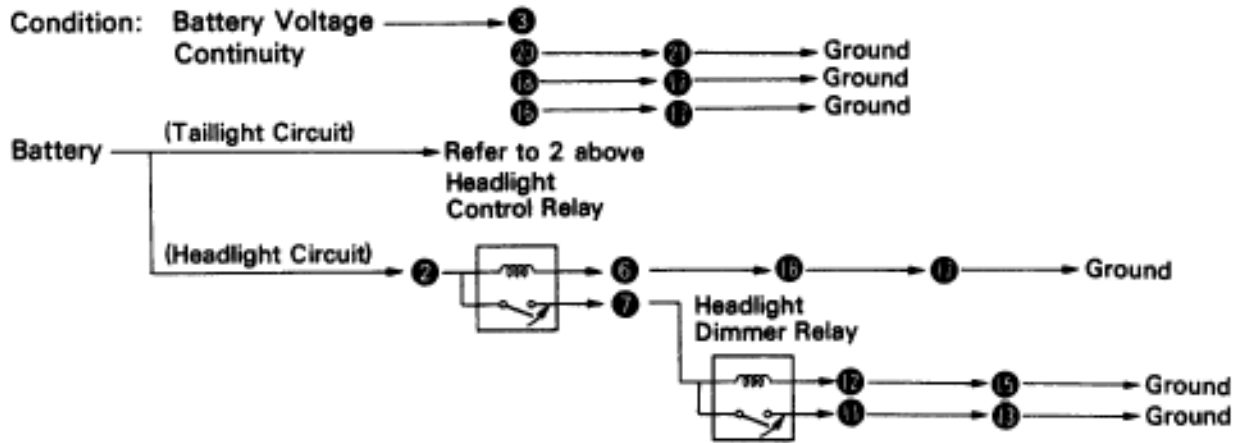




BE5651

4. Headlight HI-Beam Lights Up

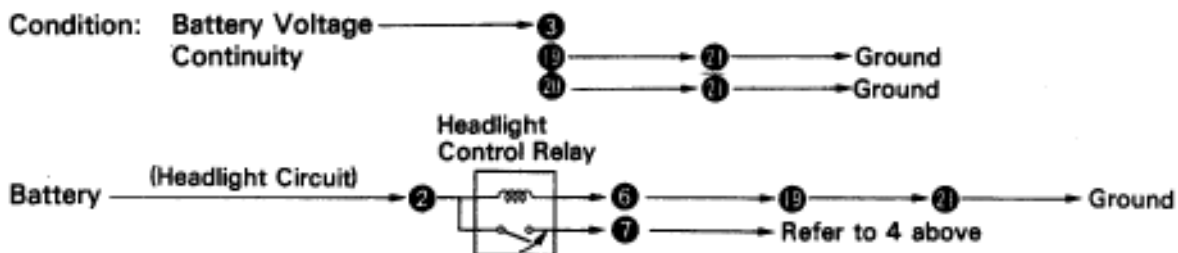
Switch	Position
Ignition Switch	OFF or ON
Light Control Switch	HEAD
Headlight Dimmer Switch	HI



BE5651
BE5651

5. Headlight Flash

Switch	Position
Ignition Switch	OFF or ON
Light Control Switch	OFF or TAIL or HEAD
Headlight Dimmer Switch	FLASH



BE5651