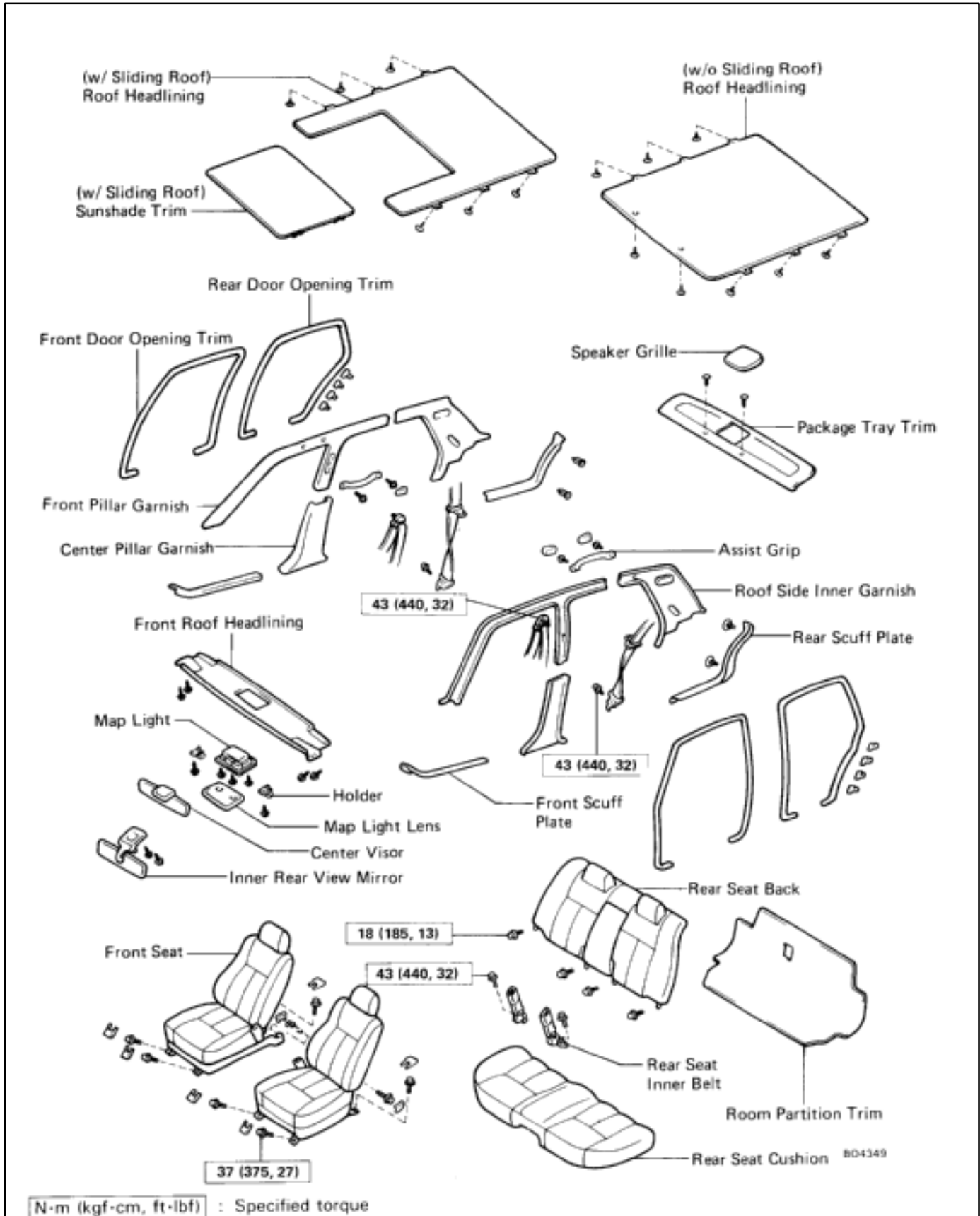


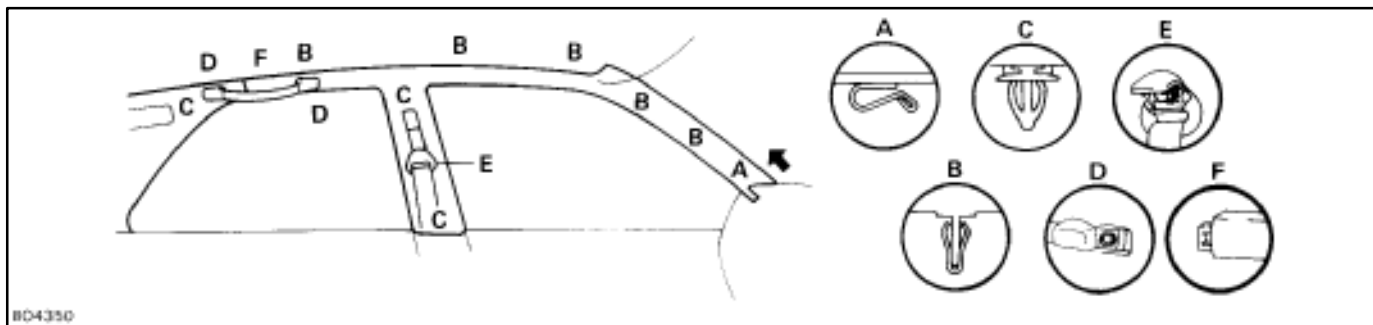
TRIM, ASSIST GRIP AND VISOR COMPONENTS



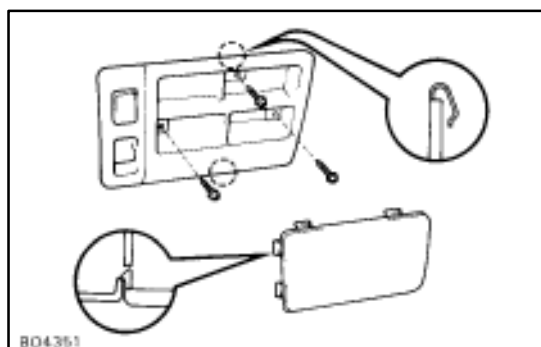
REMOVAL OF TRIM, ASSIST GRIP AND VISOR(See page [B0-162](#))**1. REMOVE FRONT PILLAR GARNISH**

- (a) Remove two screws and the assist grip.
- (b) Remove the front seat belt anchor bolt.
- (c) Disconnect the upper side of roof side inner garnish.
(See step 6 on page [B0-164](#))
- (d) Using a screwdriver, remove seven clips and pull the garnish upper side.

HINT: Tape the screwdriver tip before use.



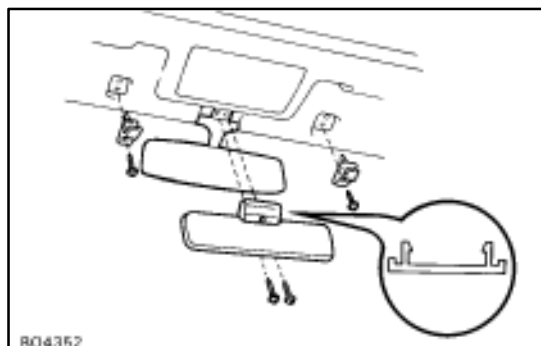
B04350



B04351

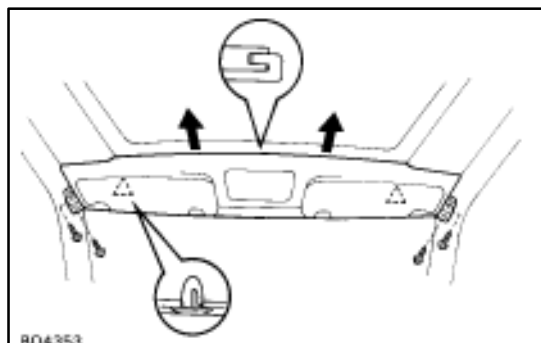
2. REMOVE FRONT ROOF HEADLINING

- (a) Using the screwdriver, remove map light lens.
- (b) Remove three screws.
- (c) Remove two clips and map light.
- (d) Disconnect the connector from the switch.



B04352

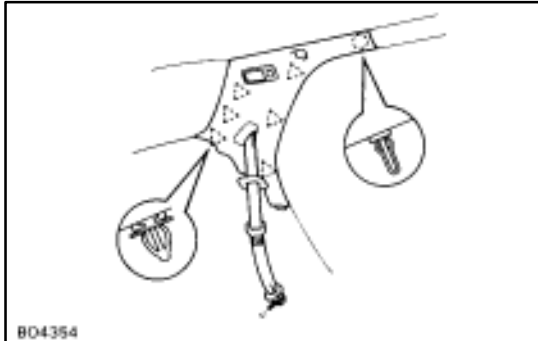
- (e) Remove two screws and two holders.
- (f) Using a screwdriver, remove center visor.
HINT: Tape the screwdriver tip before use.
- (g) Remove two screws and the inner rear view mirror.



B04353

- (h) Remove four screws.
- (i) Remove two clips with hand.
- (j) Pull the headlining backward and remove it.
- (k) Disconnect the connectors from the headlining.

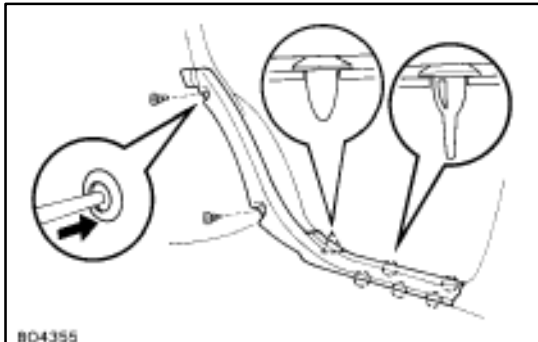
4. REMOVE REAR SEAT INNER BELT
3. REMOVE REAR SEAT CUSHION (See step 1 on page [BO-86](#))
5. REMOVE REAR SEAT BACK (See step 3 on page [BO-86](#))



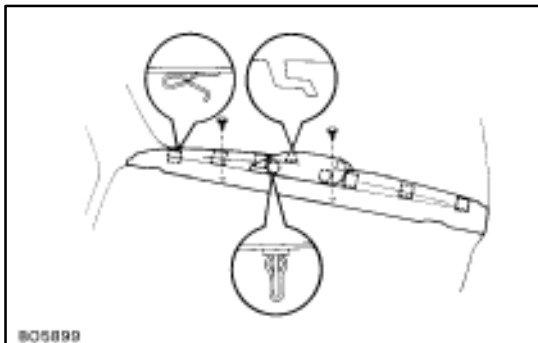
6. REMOVE ROOF SIDE INNER GARNISH
 - (a) Remove the assist grip.
 - (b) Remove the roomlight and disconnect the connector.
 - (c) Using a screwdriver, remove seven clips and the garnish.

HINT: Tape the screwdriver tip before use.

 - (d) Remove the rear seat belt side bolt and disconnect it from the garnish.
 - (e) Disconnect the connector from the garnish.



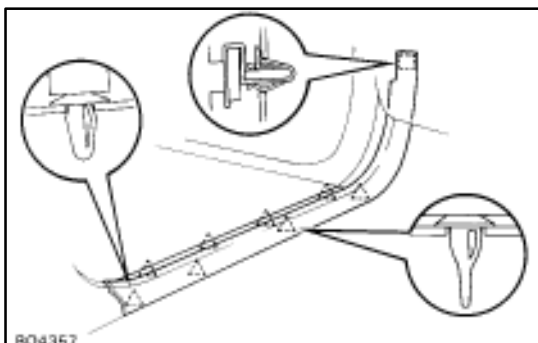
7. REMOVE REAR SCUFF PLATE
 - (a) Using the screwdriver, push in the top of clip and remove two clips.
 - (b) Using the screwdriver, remove seven clips and remove it.
8. REMOVE ROOM PARTITION TRIM



9. REMOVE PACKAGE TRAY TRIM
 - (a) Using the screwdriver, remove two clips and speaker grille.

HINT: Tape the screwdriver tip before use.

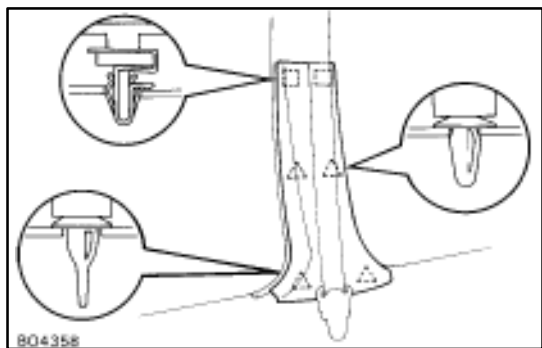
 - (b) Disconnect the connector from the speaker and the high mount stop light.
 - (c) Using a clip remover, remove two clips from the trim.
 - (d) Pull the trim forward to remove it.



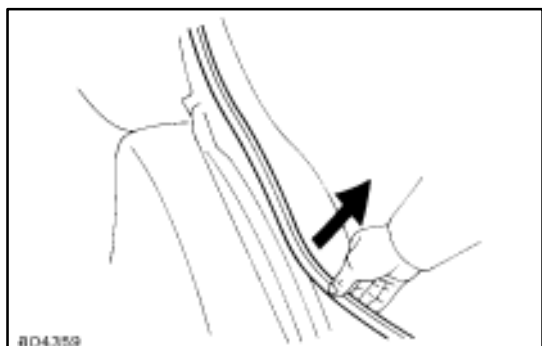
10. REMOVE FRONT SCUFF PLATE

Using the screwdriver, remove nine clips and the plate.

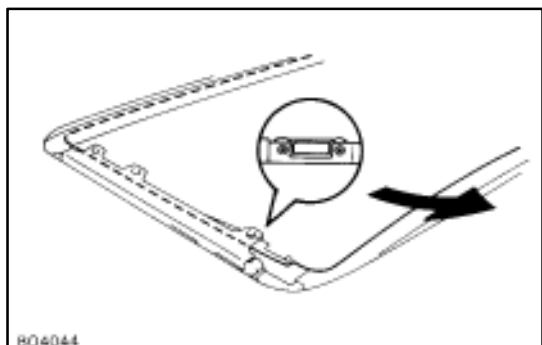
HINT: Tape the screwdriver tip before use.

**11. REMOVE CENTER PILLAR GARNISH**

Using the screwdriver, remove six clips and the garnish.

**12. REMOVE FRONT AND REAR DOOR OPENING TRIMS**

Pull the trim with your hand and remove it.

**13. (W/ SLIDING ROOF)****REMOVE SUN SHADE TRIM**

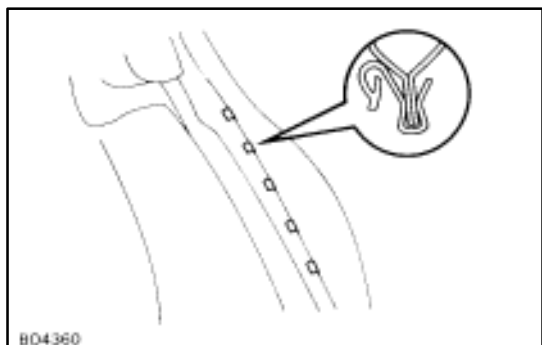
(See steps 1 to 10 on pages [BO-112](#) to 113)

INSTALLATION OF TRIM, ASSIST GRIP AND VISOR

(See page [BO-162](#))

1. (W/ SLIDING ROOF)**INSTALL SUN SHADE TRIM**

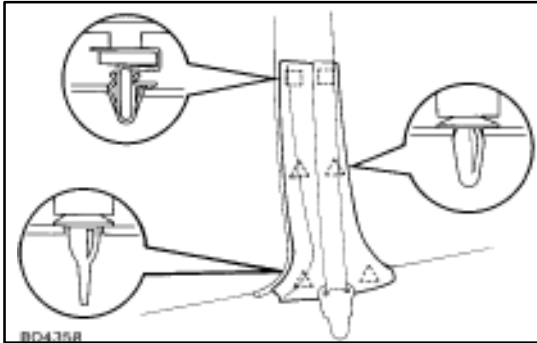
(See step 1 on page [BO-114](#))

**2. INSTALL FRONT AND REAR DOOR OPENING TRIMS**

HINT: Before installing the rear opening trim, confirm that the clips at the panel edge are installed firmly.



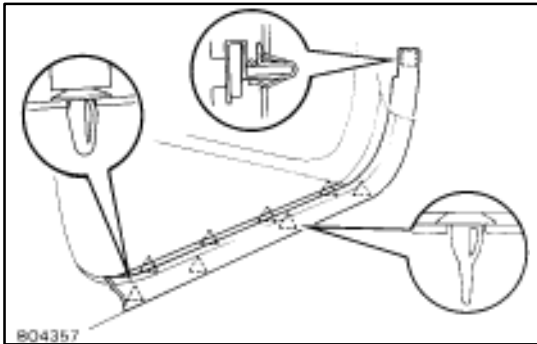
Place the trim on the lip of the panel and push it in by hand to install it.



3. INSTALL CENTER PILLAR GARNISH

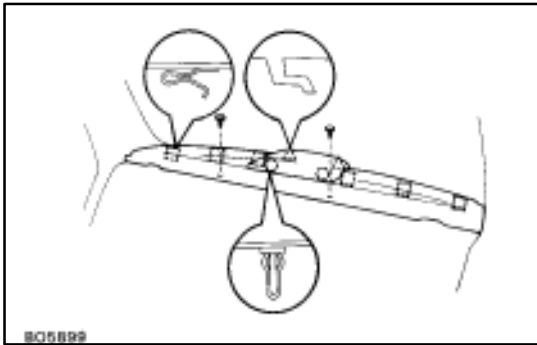
Place the garnish on the center pillar and install it by tapping it in.

HINT: Align the top of the clips with the holes of panel, then install the garnish.



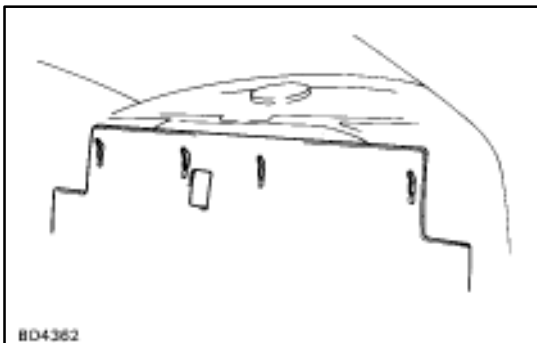
4. INSTALL FRONT SCUFF PLATE

Place the plate on the body and install it by tapping.



5. INSTALL PACKAGE TRAY TRIM

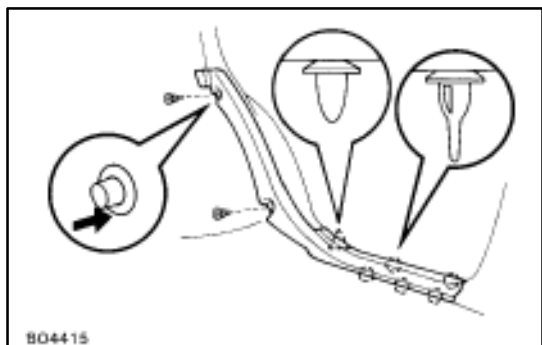
- (a) Align the six retainers with the holes of the panel, then push the trim backward.
- (b) Install two clips to the trim.
- (c) Connect the connector to the speaker and the high mount stop light.
- (d) Place the speaker grille on the trim and install it by tapping.



6. INSTALL ROOM PARTITION TRIM

HINT: If replacing the trim, peel off the backing paper on the trim.

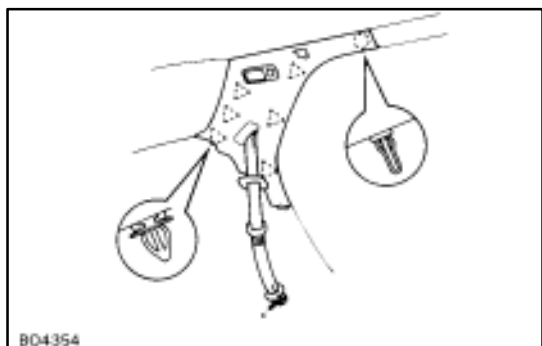
Install the trim as shown.



B04415

7. INSTALL REAR SCUFF PLATE

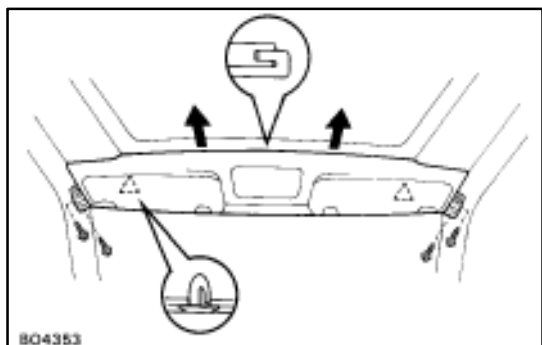
- (a) Install the lower side of the plate by tapping.
- (b) Align the plate with the clips on the body edge, then tap the plate with hand.
- (c) Install two clips and the plate.



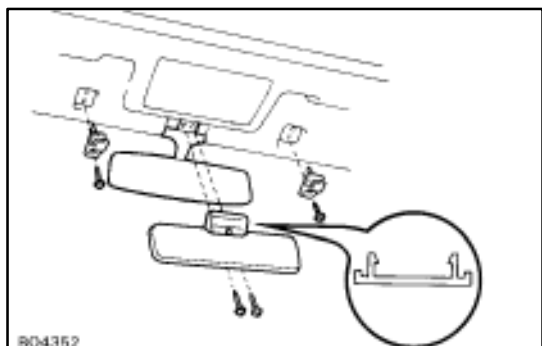
B04354

8. INSTALL ROOF SIDE INNER GARNISH

- (a) Pass the rear seat belt anchor plate, the tongue plate and the bezel through the garnish, then torque the bolt.
Torque: 43 N·m (440 kgf·cm, 32 ft·lbf)
- (b) Connect the connector to the garnish.
- (c) Install the garnish by tapping.
- (d) Connect the connector and install the roomlight.



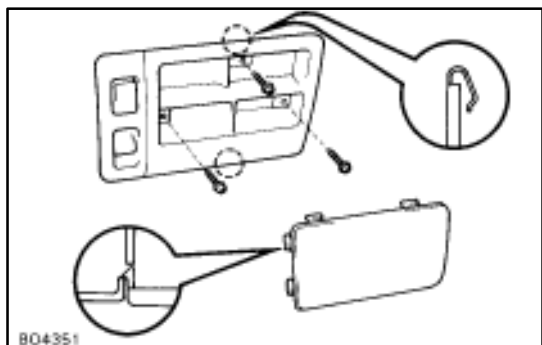
B04353

9. INSTALL REAR SEAT BACK (See step 1 on page B0-87)**Torque: 18 N·m (185 kgf·cm, 13 ft·lbf)****10. INSTALL REAR SEAT INNER BELT****(See step 4 on page B0-95)****Torque: 43 N·m (440 kgf·cm, 32 ft·lbf)****11. INSTALL REAR SEAT CUSHION (See step 3 on page B0-87)**

B04352

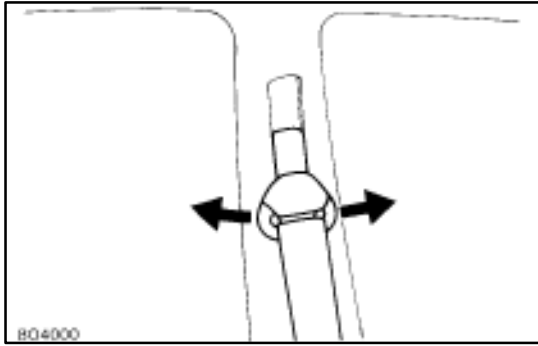
12. INSTALL FRONT ROOF HEADLINING

- (a) Connect the connectors to the headlining.
- (b) Install the headlining by tapping.
- (c) Install four screws.
- (d) Install two screws and inner rear view mirror.
- (e) Push the center visor onto the mirror.
- (f) Install two screws and two holders.



B04351

- (g) Connect the connector to the switch.
- (h) Install two clips and the map light.
- (i) Install three screws.
- (j) Install the map light lens.



13. INSTALL FRONT PILLAR GARNISH

- (a) Insert the front side of the garnish to the pillar to install the retainer.
- (b) Install the garnish by tapping.
- (c) Install two screws and the assist grip.
- (d) Install the front seat belt shoulder anchor bolt.

Torque: 43 N·m (440 kgf·cm, 32 ft·lbf)

HINT: After installing the anchor bolt, check that the anchor turns smoothly.