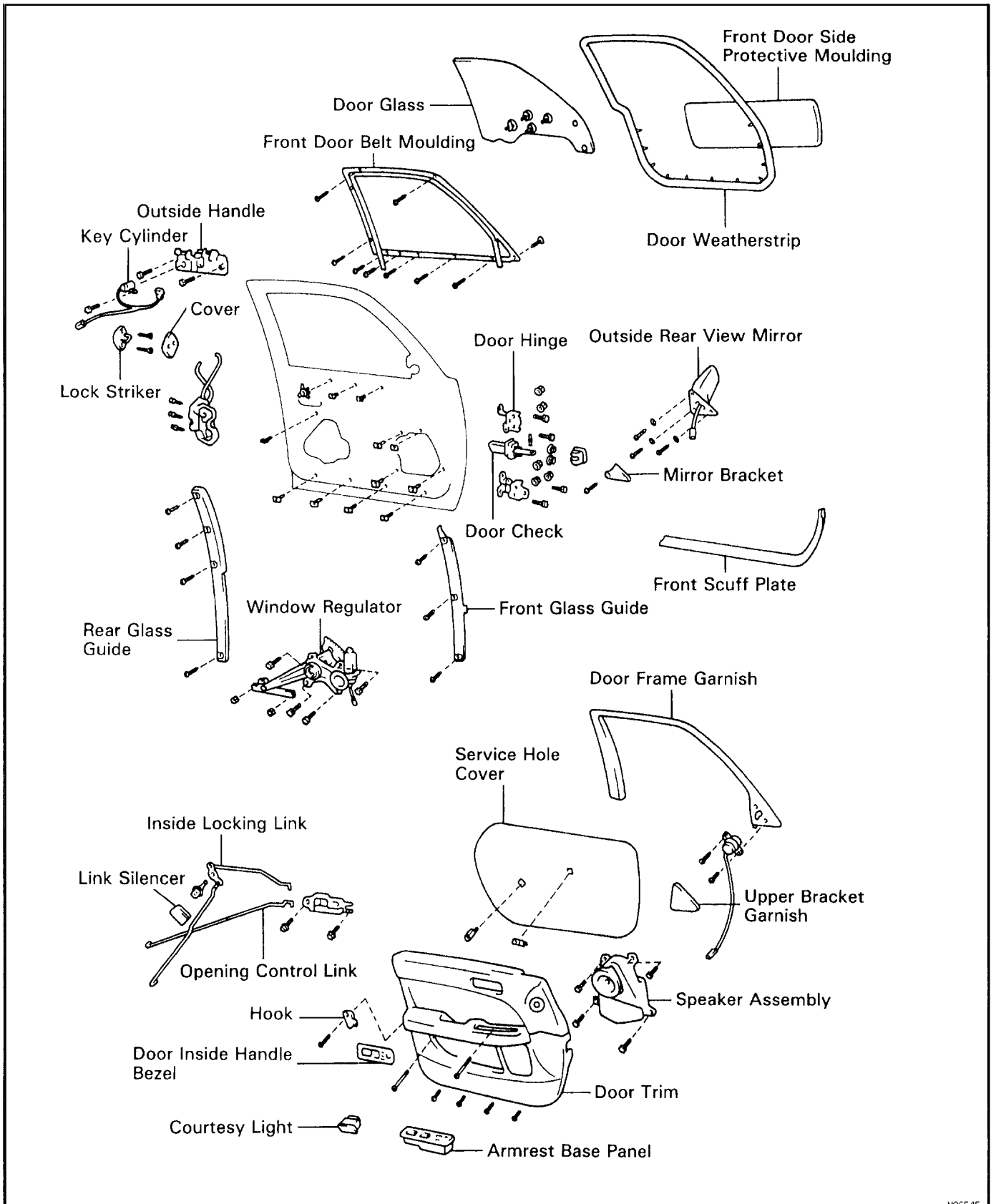
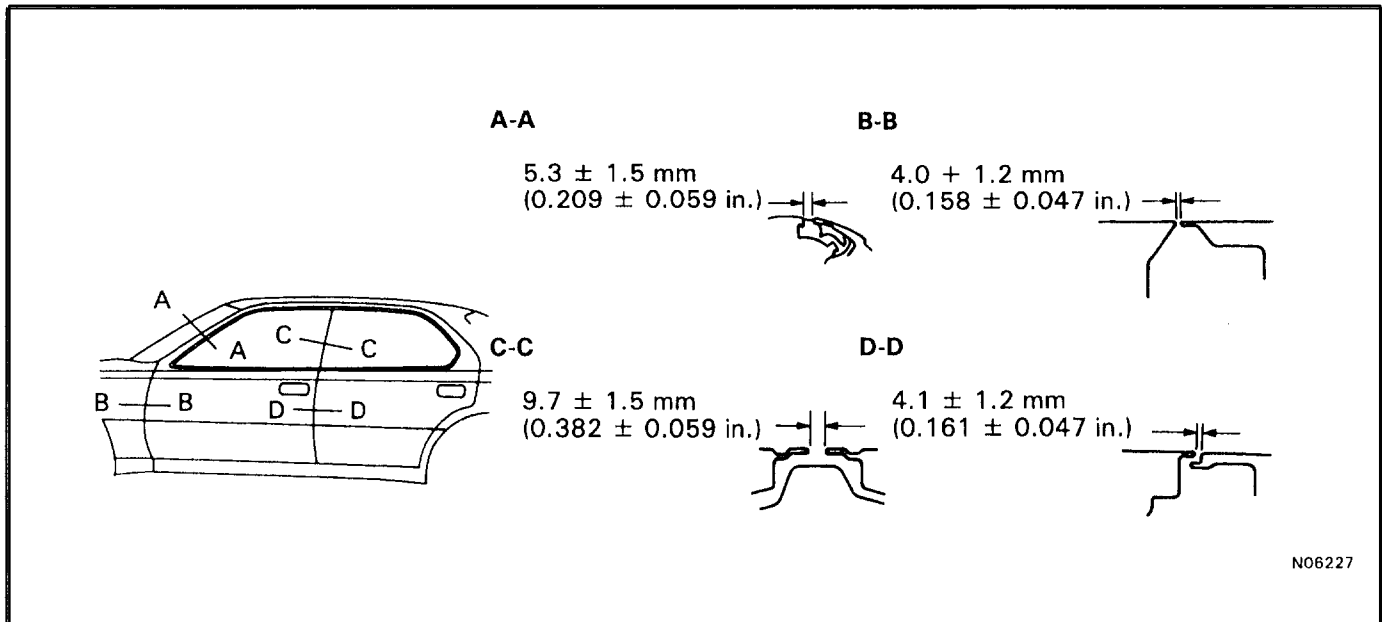


# COMPONENTS FRONT DOOR

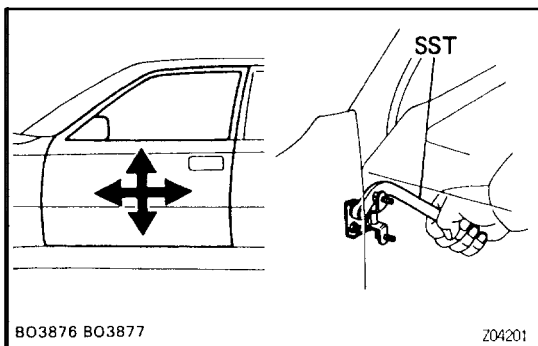
BO0N9-01



## FRONT DOOR ADJUSTMENT



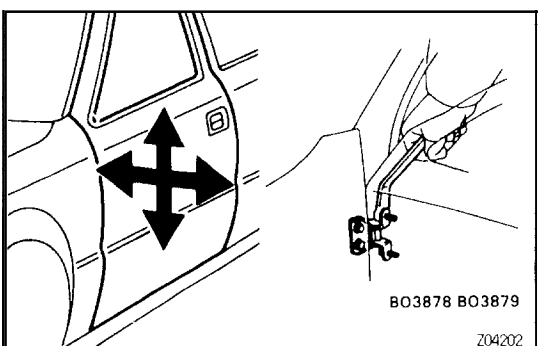
HINT: Adjust the door panel according to the following method.



**1. ADJUST FRONT DOOR IN FORWARD/REARWARD AND VERTICAL DIRECTIONS**

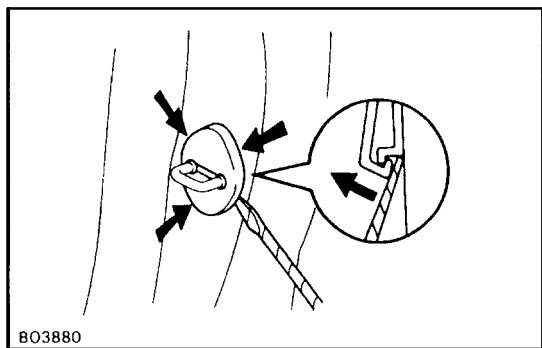
Using SST, adjust the door by loosening the body side hinge nuts.

SST 09812-00010



**2. ADJUST FRONT DOOR IN LEFT/RIGHT AND VERTICAL DIRECTIONS**

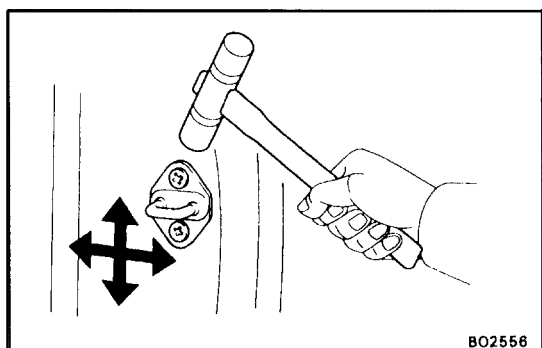
Loosen the door side hinge bolts to adjust.



B03880

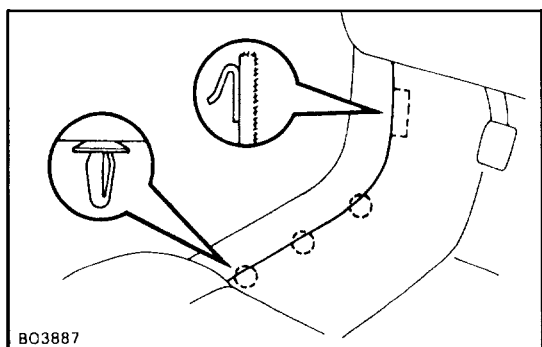
### 3. ADJUST FRONT DOOR LOCK STRIKER

- (a) Check that the door fit and door lock linkages are adjusted correctly.
- (b) Using a screwdriver remove the striker cover.  
HINT: Tape the screwdriver tip before use.



B02556

- (c) Adjust the striker position by slightly loosening the striker mounting screws, and hitting the striker with a hammer. Tighten the striker mounting screws again.
- (d) Install the striker cover.

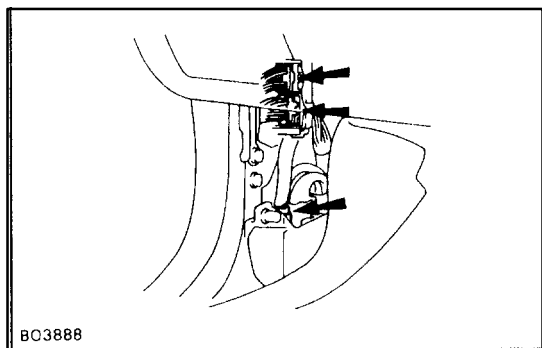


B03887

## FRONT DOOR REMOVAL

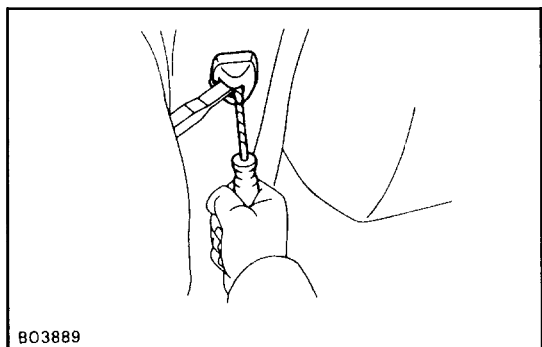
1. REMOVE FRONT SCUFF PLATE
2. DISCONNECT CONNECTORS

- (a) Disconnect the front corner of the floor carpet.



B03888

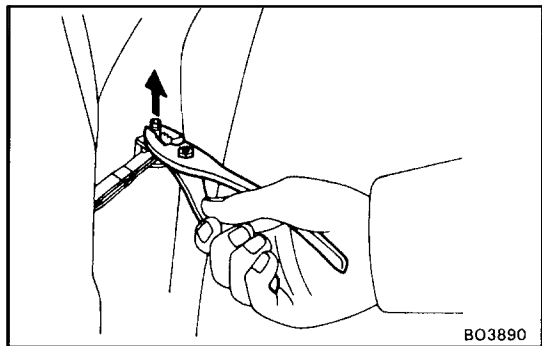
- (b) Disconnect three connectors as shown.



B03889

### 3. DISCONNECT DOOR CHECK FROM BODY

- (a) Using a screwdriver, remove the door check cover.  
HINT: Tape the screwdriver tip before use.



(b) Using the pliers, push out the arm pin and disconnect the door check from body.

#### 4. REMOVE DOOR

While supporting the door, remove four door side hinge bolts to remove the door.

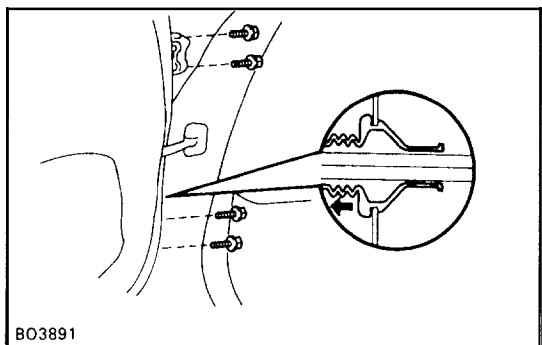
HINT: When removing the door, do not damage the connectors with the hole of the panel.

BO0NC-01

## DOOR HINGE REPLACEMENT

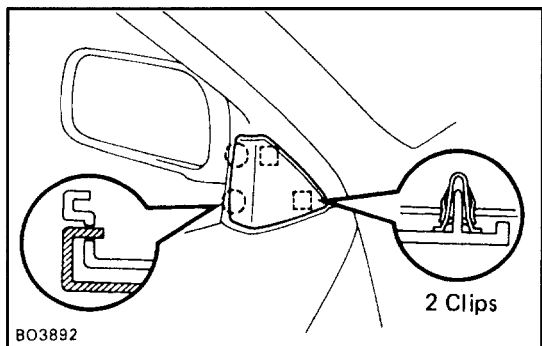
### 1. REMOVE DOOR HINGE

Remove two bolts and the hinge.



### 2. INSTALL DOOR HINGE

Install two bolts and the hinge.



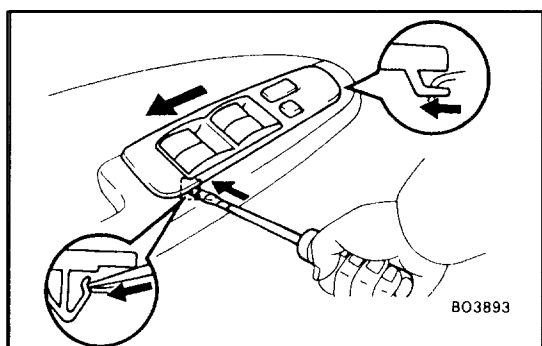
BO0TR-01

## FRONT DOOR DISASSEMBLY

### 1. REMOVE UPPER BRACKET GARNISH

Using a screwdriver, pry loose two clips and remove garnish.

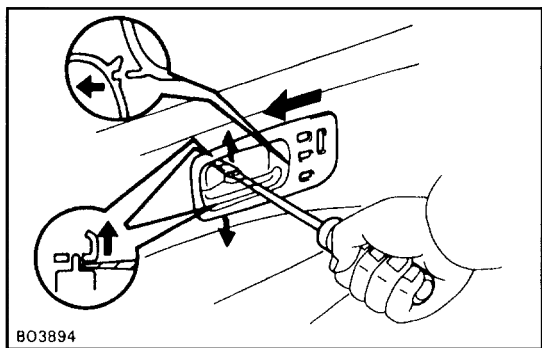
HINT: Tape the screwdriver tip before use.



### 2. REMOVE ARMREST BASE PANEL

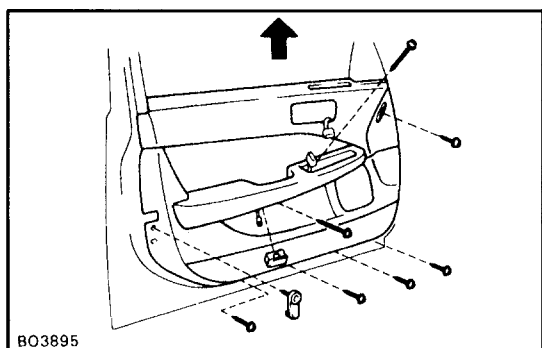
(a) Using the screwdriver, remove the clip.

(b) Pull the panel backward and disconnect the connector.



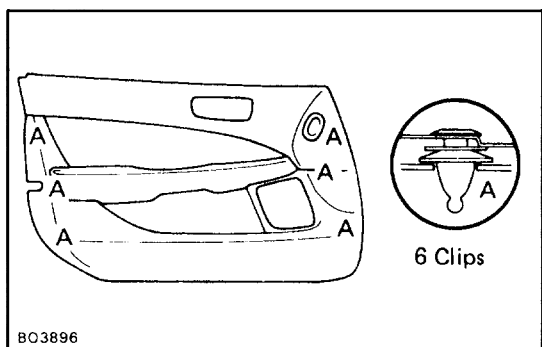
### 3. REMOVE DOOR INSIDE HANDLE BEZEL

- Using the screwdriver, pry outward where the handle and bezel meet and remove the rear half of the bezel.
- With the door handle in open position, pull the bezel out toward the rear.
- Disconnect the connector.

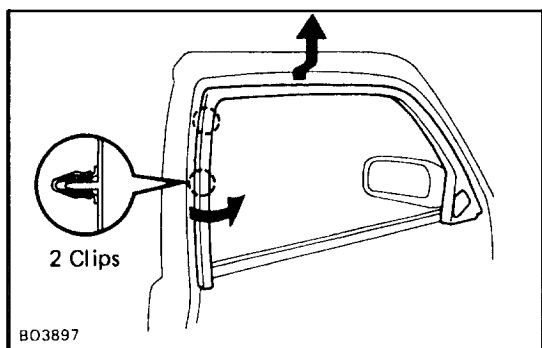


### 4. REMOVE DOOR TRIM

- Using the screwdriver, remove the courtesy light, and disconnect the connector.
- Remove seven screws and the hook.

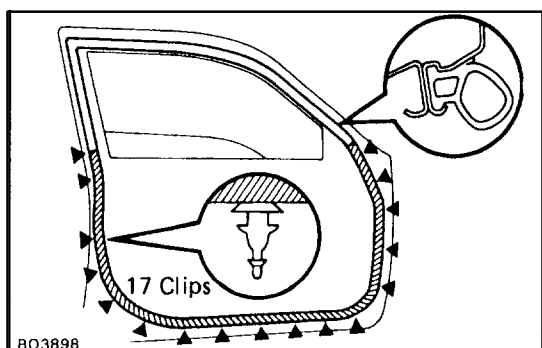


- Insert the screwdriver between the panel and the trim and remove the clips.  
HINT: Do not scratch the panel with the screwdriver.
- Remove the trim by pulling all of the trim up.



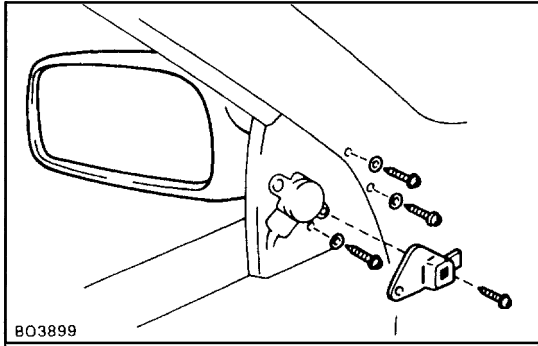
### 5. REMOVE DOOR FRAME GARNISH

- Twist the garnish toward the vehicle interior and remove the two clips.
- Pull the whole garnish upwards.

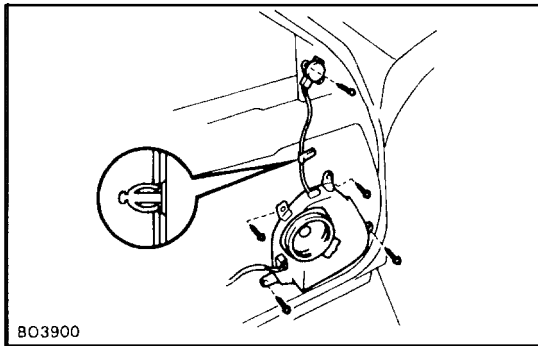


### 6. REMOVE DOOR WEATHERSTRIP

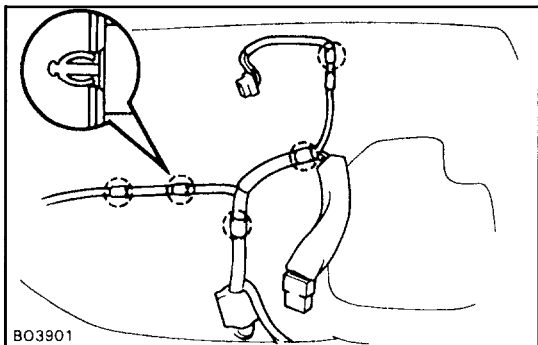
- While pulling the weatherstrip by hand, remove the seventeen clips using a clip remover.  
HINT: Do not pull strongly on the weatherstrip as it may tear.

**7. REMOVE OUTSIDE REAR VIEW MIRROR**

- (a) Remove the screw and the mirror bracket.
- (b) Remove three screws and the mirror.
- (c) Disconnect the connector.

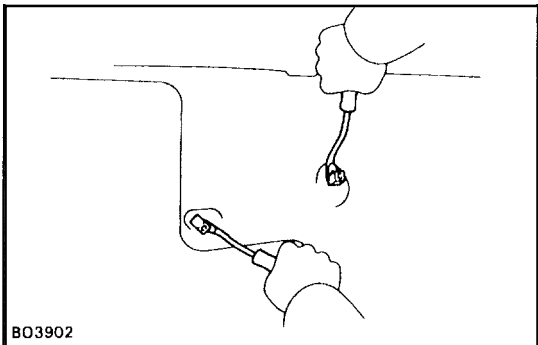
**8. REMOVE SPEAKER ASSEMBLY**

- (a) Disconnect the connector from speaker assembly, remove the harness clamp using clip remover, remove the screw and then remove the upper speaker.
- (b) Disconnect connectors from speaker assembly and remove speaker assembly with four screws.

**9. DISCONNECT WIRE HARNESS FROM DOOR PANEL**

Using a clip remover, remove the wire harness clamps from five positions on the door panel.

HINT: Do not break the service hole cover.

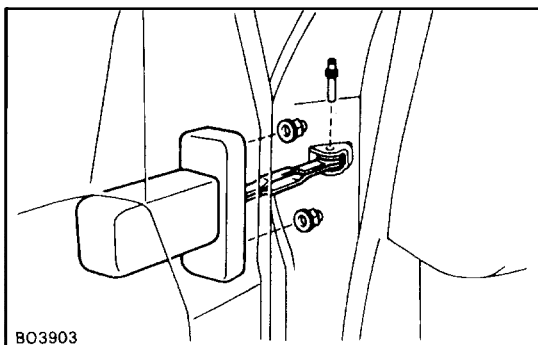
**10. REMOVE SCREW GROMMETS**

Using a clip remover, remove two grommets.

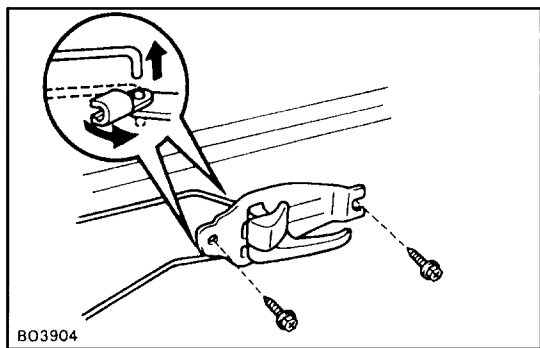
**11. REMOVE SERVICE HOLE COVER**

Remove the cover by pulling at the edge by hand.

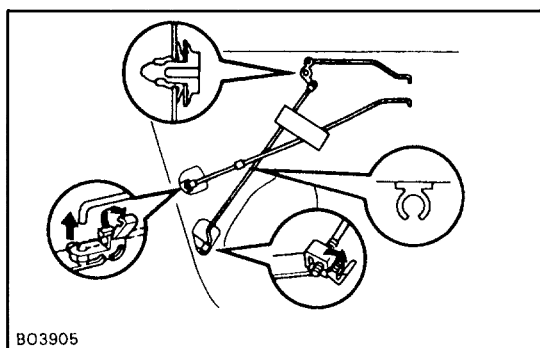
HINT: Do not tear the cover.

**12. REMOVE DOOR CHECK**

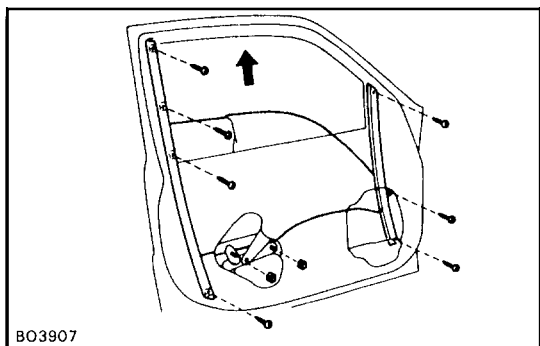
- (a) Disconnect the check from the body panel.
- (b) Remove two nuts and the check.

**13. REMOVE DOOR INSIDE HANDLE**

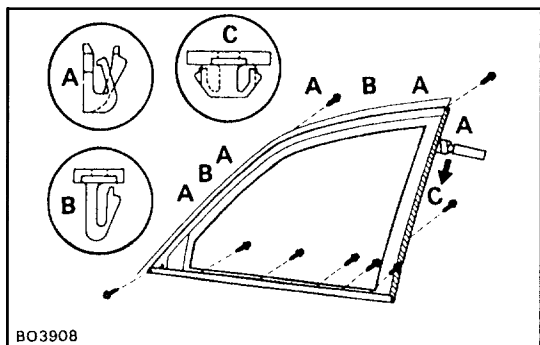
- (a) Remove the two screws.
- (b) Disconnect the two links from the handle.

**14. DISCONNECT OPENING CONTROL LINK AND INSIDE LOCKING LINK**

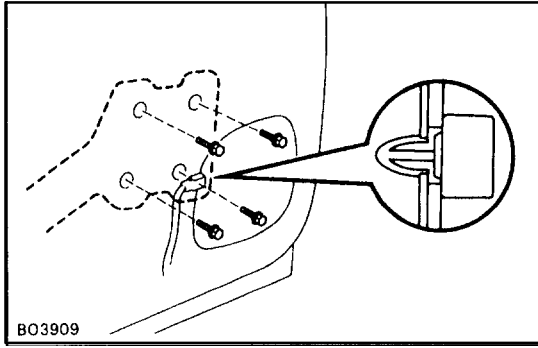
- (a) Remove the intermediate clip of the inside locking link.
- (b) Remove the clip joining the inside locking link and door lock, and remove the inside locking link.
- (c) Pull the opening control link out of the intermediate clip and remove the door lock clip.
- (d) Disconnect the opening control link from the door lock.

**15. REMOVE LINK SILENCER****16. REMOVE DOOR GLASS GUIDES AND DOOR GLASS**

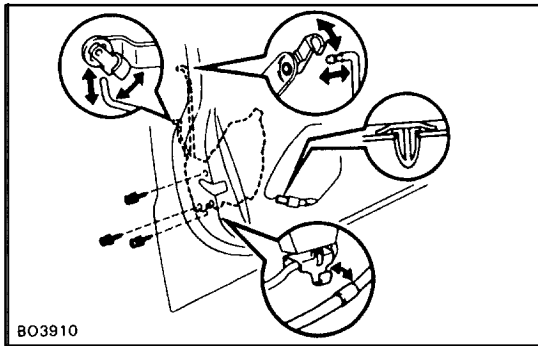
- (a) Remove two nuts joining the window regulator and glass.  
HINT: Insert a shop rag inside the panel to prevent scratching the glass.
- (b) Remove the three screws and pull out the front glass guide.
- (c) Remove the four screws and pull out the rear glass guide.
- (d) Pull the door glass out of the panel carefully.

**17. REMOVE FRONT DOOR BELT MOULDING**

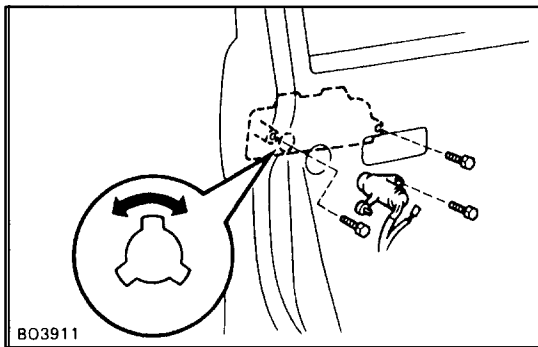
- (a) Remove the nine screws.
- (b) Using the screwdriver, remove the clips.
- (c) Using a scraper, remove the double-sided tape from the rear side.  
HINT: Tape the scraper tip before use

**18. REMOVE WINDOW REGULATOR**

- (a) Using a clip remover, disconnect the connector from the panel.
- (b) Remove four bolts and the regulator.

**19. REMOVE DOOR LOCK**

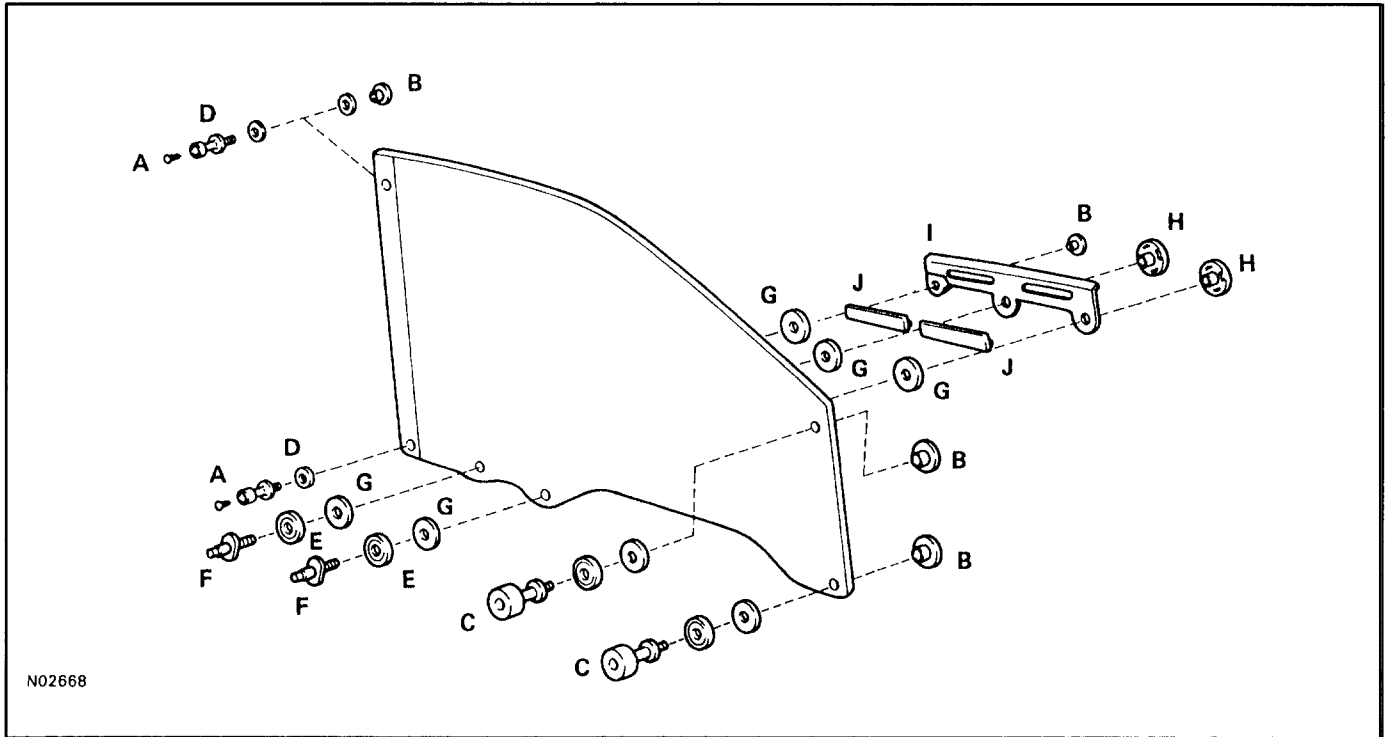
- (a) Remove door lock connector from panel and disconnect it from wire harness.
- (b) Disconnect the two links from the outside handle and key cylinder.
- (c) Disconnect the wire harness from the clamp of the door lock.
- (d) Remove three screws and the door lock.

**20. REMOVE OUTSIDE HANDLE AND KEY CYLINDER**

- (a) Disconnect the connector from the key cylinder.
- (b) Remove the handle with the two bolts.
- (c) Remove the key cylinder bolt, turn the whole cylinder clockwise and remove it.

**21. REMOVE FRONT DOOR OUTSIDE MOULDING**



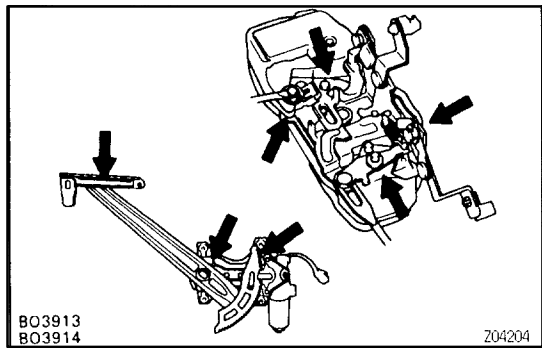
**DOOR GLASS REPLACEMENT****1. REMOVE DOOR GLASS PARTS**

N02668

- (a) Using a screwdriver, remove two cushions (A).
- (b) While settling the glass retainers (b) with a torx driver, remove the glass guide rollers (C) and (D).
- (c) Remove stud bolts (E), washers (F) and nuts (G), then remove the glass plate (H) and the bracket inner filler (I).
- (d) Remove the bolt and the up stop.

**2. REPLACE DOOR GLASS****3. INSTALL DOOR GLASS PARTS**

Install the parts by following removal sequence in reverse.

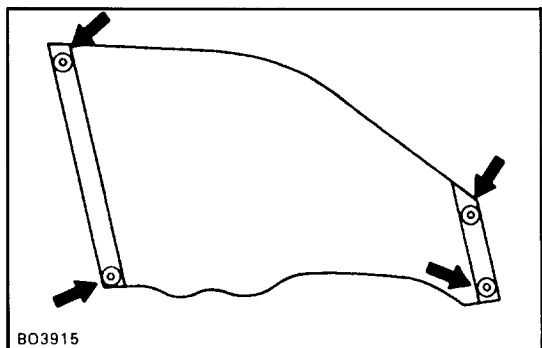


## FRONT DOOR ASSEMBLY

### 1. BEFORE INSTALLING PARTS, COAT THEM WITH MP GREASE

- (a) Apply MP grease to the sliding surface and gears of the window regulator.

**NOTICE:** Do not apply MP grease to the spring of the window regulator.

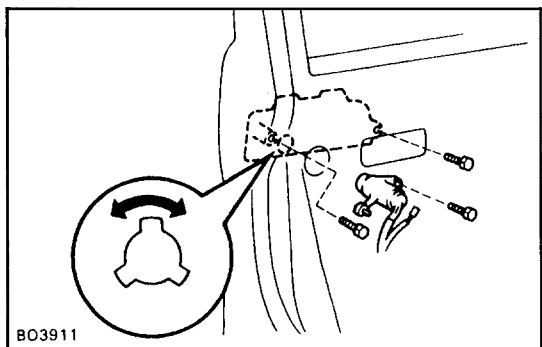


- (b) Apply MP grease to the sliding surface of the door lock.

- (c) Apply MP grease to the door glass guide rollers.

- (d) Apply MP grease to the inner side of guide rails.

### 2. INSTALL FRONT DOOR OUTSIDE MOULDING

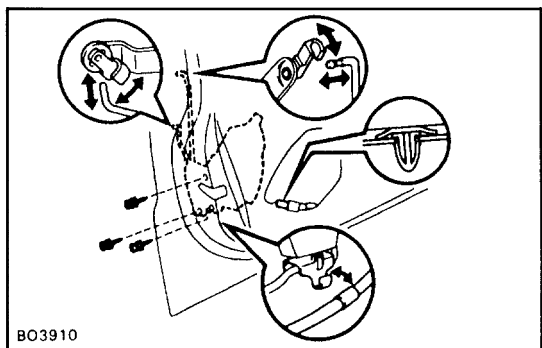


### 3. INSTALL OUTSIDE HANDLE AND KEY CYLINDER

- (a) Insert the key cylinder into the handle, rotate it counterclockwise and tighten the bolt after the cylinder is engaged.

- (b) Install the handle with the two bolts.

- (c) Connect the connector to the key cylinder.



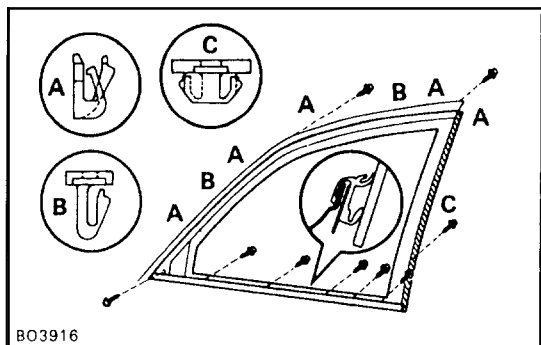
### 4. INSTALL DOOR LOCK

- (a) Install the door lock with three screws.

- (b) Install the two links to the outside handle and key cylinder.

- (c) After installing the door lock connector to the wire harness, install the connector unit to the panel.

- (d) Connect the wire harness to the clamp of the door lock.

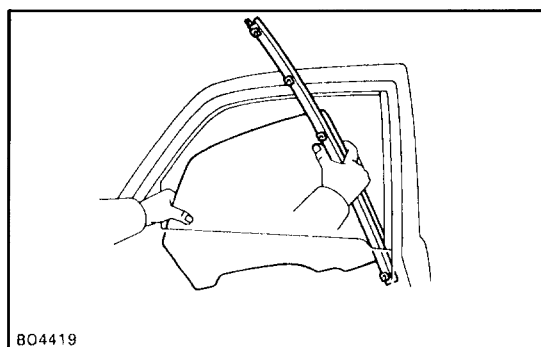
**5. INSTALL WINDOW REGULATOR**

- (a) Install the regulator with four bolts.
- (b) Install the connector unit to panel.

**6. INSTALL FRONT DOOR BELT MOULDING****HINT:**

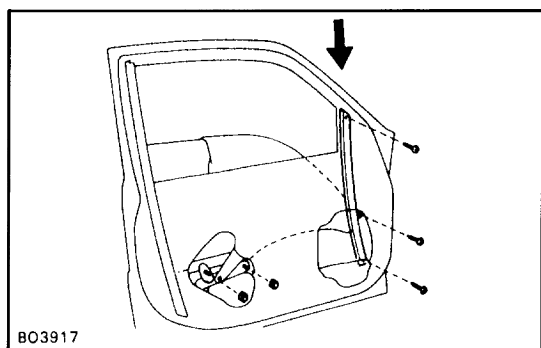
- If the adhesive power of the tape is reduced, replace it with new tape.
- If replacing the moulding, peel off the backing paper on the moulding.

- (a) Align the clips with the holes of the panel, and tap the moulding on the panel.
- (b) Install nine screws.

**7. INSTALL DOOR GLASS WITH GLASS GUIDES TEMPORARILY**

- (a) Insert the glass with rear glass guide inside the door panel, and temporarily tighten the four screws for the guide.

**HINT:** Insert a shop rag inside the panel to prevent scratching of the glass.



- (b) Fit the front glass guide to the glass guide roller and temporarily tighten the three screws.
- (c) Temporarily tighten the two nuts for the glass and window regulator.

**8. INSTALL DOOR GLASS STOPPERS AND CUSHION**

- (a) Install the bolt, cushion, plate and nut.
- (b) Temporarily install two stoppers with two bolts.

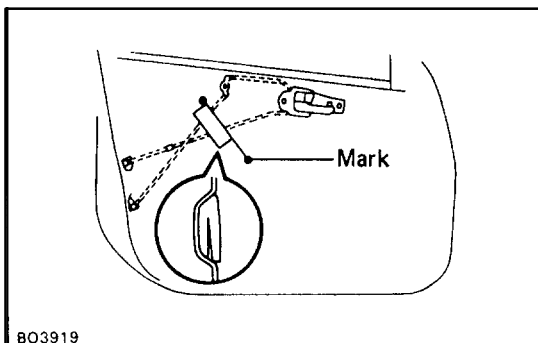
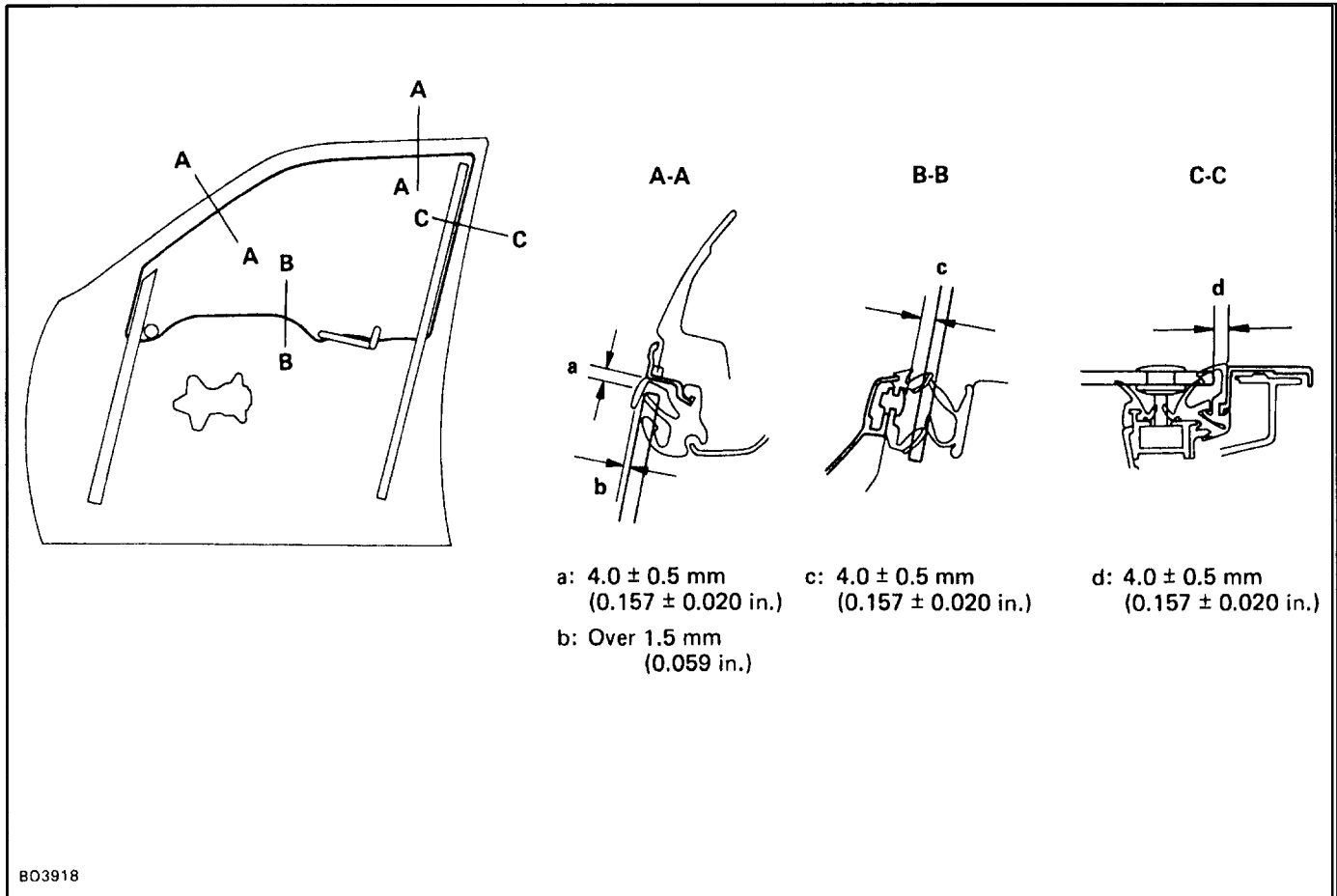
**9. ADJUST DOOR GLASS**

**HINT:** Check that there is space between the glass guide and stopper.

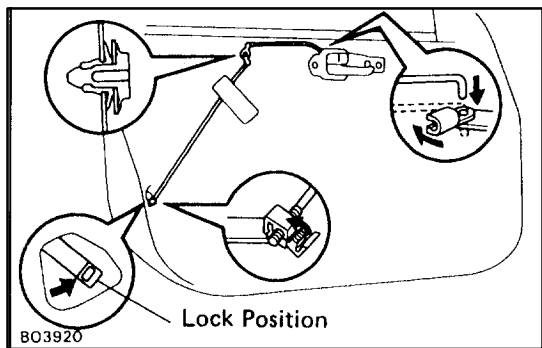
- (a) Fully raise the glass, and adjust the gap between the glass and the door panel as shown in the drawing.
- (b) After adjustment, immobilize the guides, stoppers and two nuts.

## HINT:

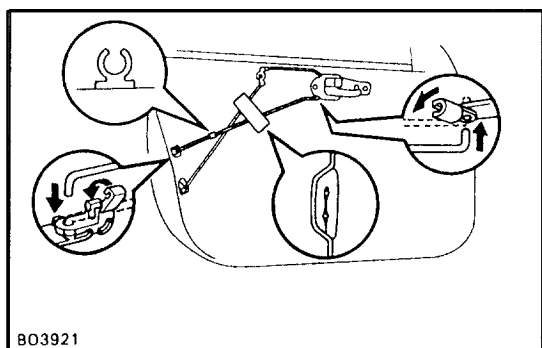
- Check that the edge of the glass does not come in contact with the bottom part of the weatherstrip when the glass is being raised or lowered.
  - Check that the glass moves up and down smoothly and that the weatherstrip does not get caught by the glass.
- (c) Raise the glass again and check the installation.

**10. INSTALL LINK SILENCER**

Install the new silencer in the position shown in the drawing.  
 HINT: Before installation, peel off the backing paper at the silencer.

**11. INSTALL LOCKING LINK**

- (a) Connect the link with the handle.
- (b) Install two screws and the inside handle.
- (c) Put the lock button of the inside handle in lock position.
- (d) Install the intermediate clip to the link.
- (e) Insert the link into the silencer.
- (f) Put the door lock on lock with the clip and fix in place the locking link passing through the silencer.



- (g) Check that lock operation occurs smoothly.

**12. INSTALL OPENING CONTROL LINK AND INSIDE HANDLE**

- (a) Remove the inside handle and connect the link with the handle.
- (b) Install two screws and the handle.
- (c) Insert the link into the silencer and install the link in the clip.
- (d) Connect the link with the door lock.
- (e) Install the edge of the silencer to the panel.

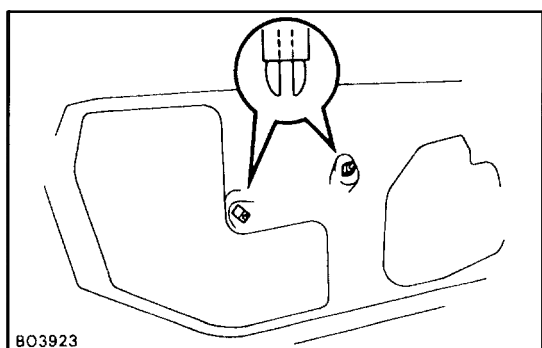
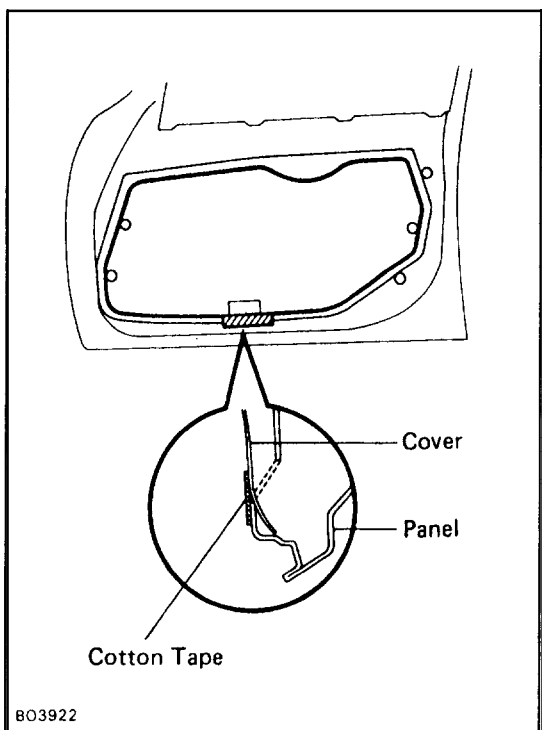
- (f) Check that opening operation occurs smoothly.

**13. INSTALL SERVICE HOLE COVER**

HINT: Before installing the service hole cover, peel off the backing paper from the silencer.

- (a) Seal the service hole cover with adhesive.
- (b) Insert the lower edge of the service hole cover into the panel slit.
- (c) Seal the panel slit with cotton tape.

**NOTICE: Do not block the trim clip seating with the tape.**

**14. INSTALL SCREW GROMMETS**

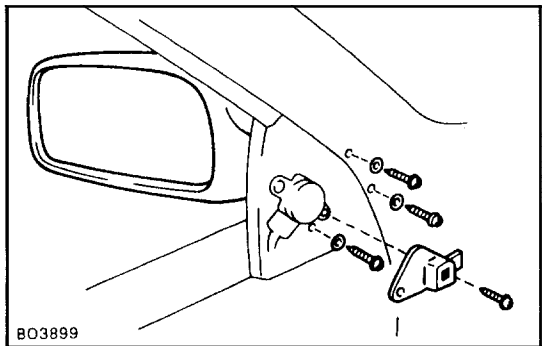
Install two grommets as shown.

**15. CONNECT WIRE HARNESS TO DOOR PANEL**

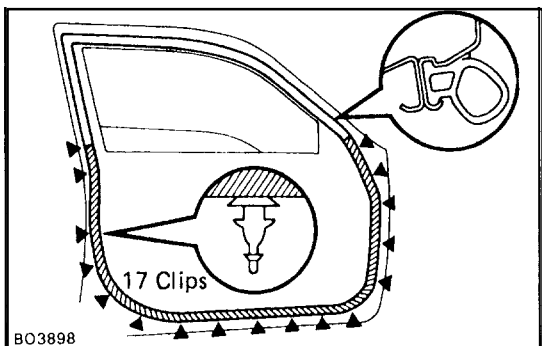
Install the clamps onto the panel.

**16. INSTALL SPEAKER ASSEMBLY**

- (a) Install the speaker assembly with four screws.
- (b) After installing upper speaker with the screw, install the clamps to the panel and install the connectors to the speaker.

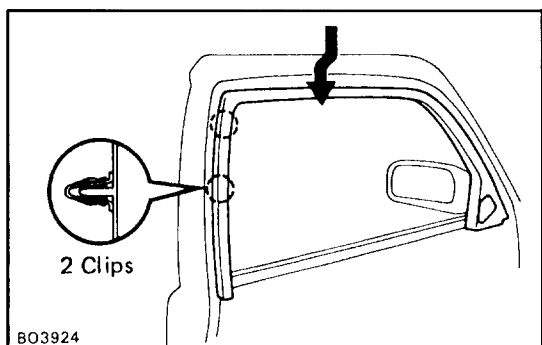
**17. INSTALL OUTSIDE REAR VIEW MIRROR**

- Connect the connector.
- Install three screws and the mirror, then install the mirror bracket and the screw.

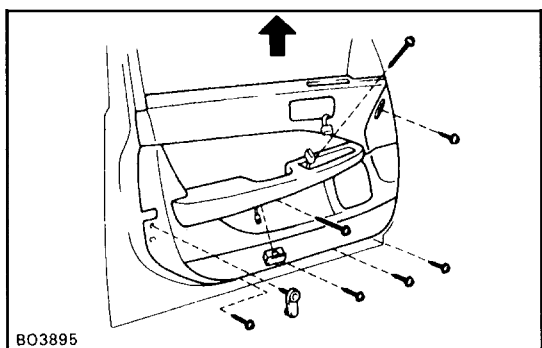
**18. INSTALL DOOR WEATHERSTRIP**

HINT: If replacing the weatherstrip, peel off the backing paper on the weatherstrip.

- Push down on the seventeen clips and install the lower side of the weatherstrip.
- Push the upper side of weatherstrip into the door panel edge by your hand to install the weatherstrip.

**19. INSTALL DOOR FRAME GARNISH**

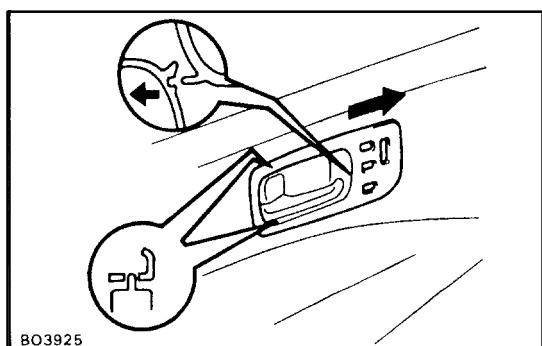
- Insert lower edge of the garnish into the panel.
- Tap in the two clips.
- Push the garnish into the frame.

**20. INSTALL DOOR TRIM**

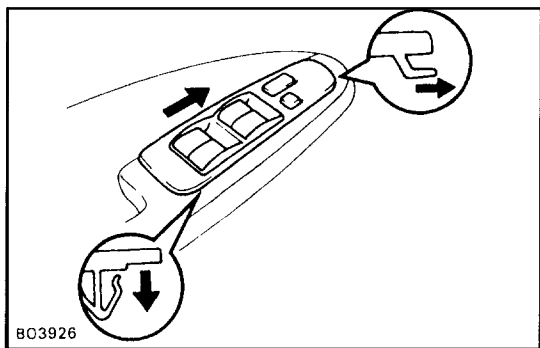
- Insert the upper edge of the trim from above, tap the trim by hand and fix it in place with the clips.

HINT: Keep the connector terminal protruding out from the trim as shown in the drawing.

- Install seven screws and the hook.
- Connect the connector and install the courtesy light in the trim.

**21. INSTALL DOOR INSIDE HANDLE BEZEL**

- With the door handle in open position, insert the bezel toward the front.
- Connect the connector.
- Push in the bezel to install it.

**22. INSTALL ARMREST BASE PANEL**

- (a) Connect the connector.
- (b) Slide the panel forward and tap the panel to install it.

**23. INSTALL UPPER BRACKET GARNISH**

Align the clips with the panel holes, then push in the garnish to install it.

B00NJ-01

**FRONT DOOR INSTALLATION**

**INSTALL DOOR PARTS BY FOLLOWING REMOVAL  
QUENCE IN REVERSE**

HINT: After installing the door, adjust the door.