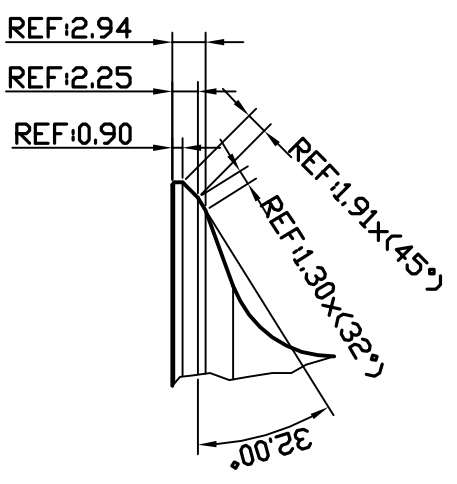
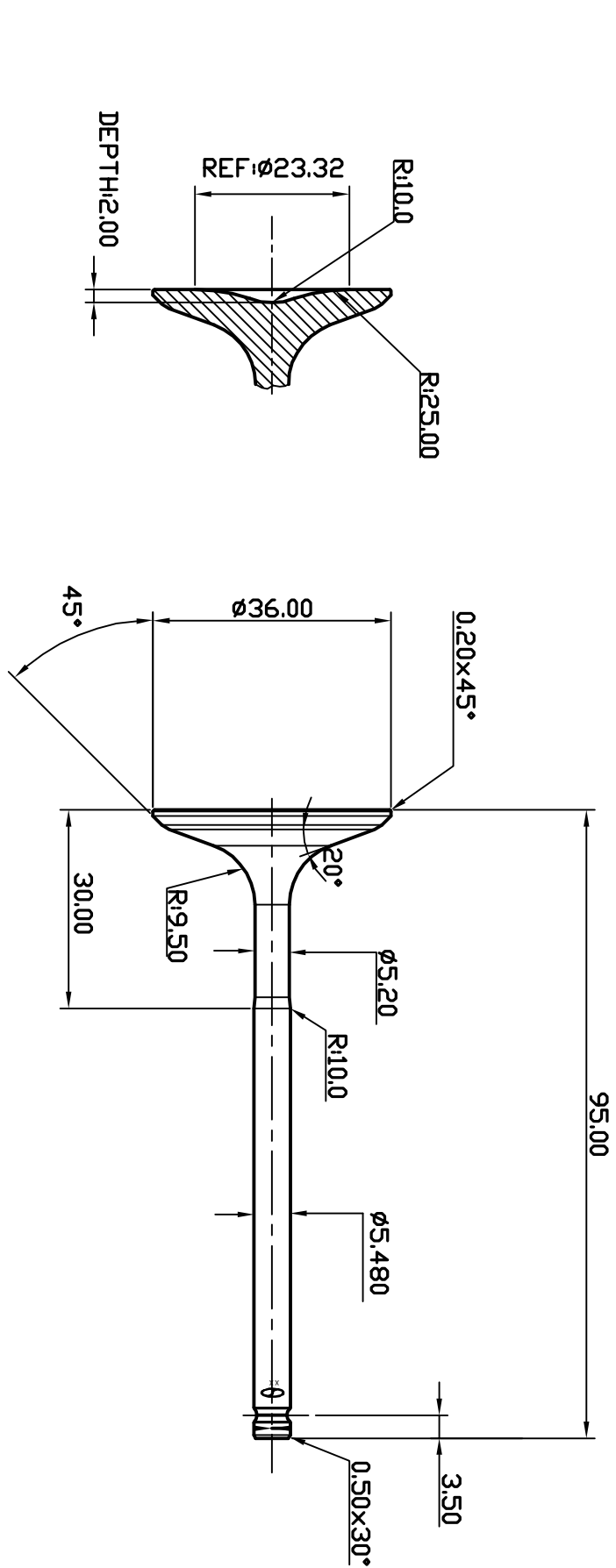



TIVN-1093D

28761



*HARD TIP
 *WEIGHT APPROX: 47gr.
 *ALL MACHINED VALVE
 *NITRIDE COATING
 *LASER MARK: LOGO + XX DATE

CUSTOMER
 DRAWING

MATERIAL		Date	Sign
SAE EV8			
DRAWN		CHECKED	
		22/09/19	M.LOPEZ
			
VALVE:	TOYOTA 4.7L V8 32v		
TYPE: INTAKE	DIMENSIONS IN MILLIMETERS	REVISION:	↶