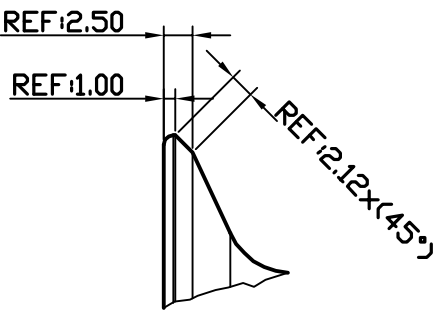
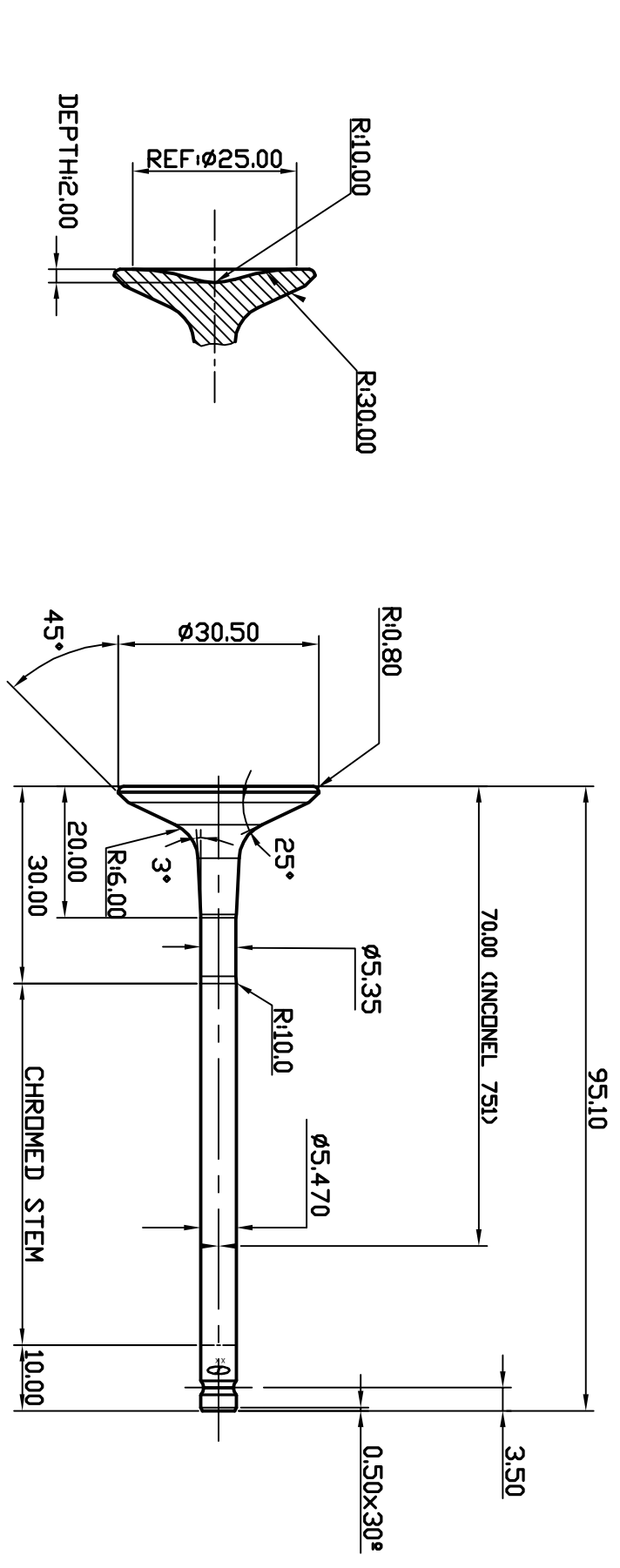
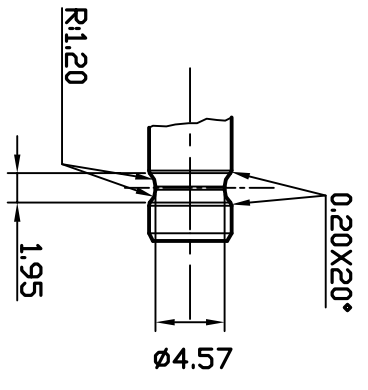


TEVI-1093D

28762



*HARD TIP
 *WEIGHT APPROX: 40gr.
 *ALL MACHINED VALVE
 *CHROME COATING
 *LASER MARK: LDGD + XX DATE



CUSTOMER
DRAWING

| | | | |
|----------|--------------------------|------|------|
| MATERIAL | INCONEL + SAE HNV3 | Date | Sign |
| DRAWN | | | |
| CHECKED | 22/09/19 M. LOPEZ | | |

VALVE: TOYOTA 4.7L V8 32v
 TYPE: EXHAUST
 DIMENSIONS IN MILLIMETERS
 REVISION: A

